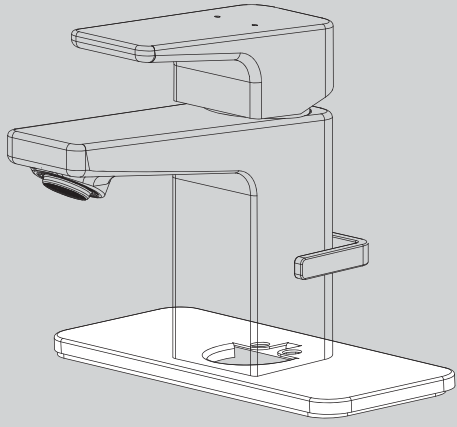


## INSTRUCTIONS FOR MODELS

10-0377  
SB-2401 DECK PLATE



### NEED HELP?

For additional assistance or service please contact:

**SPEAKMAN**® Company  
400 Anchor Mill Road  
New Castle, DE 19720

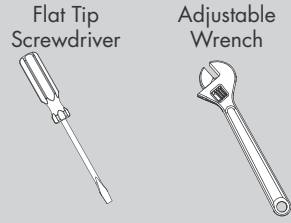
800-537-2107

customerservice@speakman.com

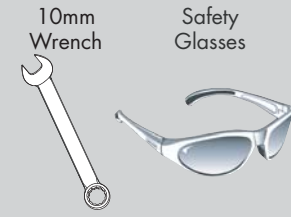
www.speakman.com

92-10-0377-01

## TOOLS AND SUPPLIES



### HELPFUL TOOLS & SUPPLIES:



## IMPORTANT

- Do not over-tighten any connections or damage may occur.
- Be sure to read instructions thoroughly before beginning installation.

### SAFETY TIPS

Cover your drain to prevent loss of parts. Be sure to wear eye protection while cutting pipe.

### MAINTENANCE

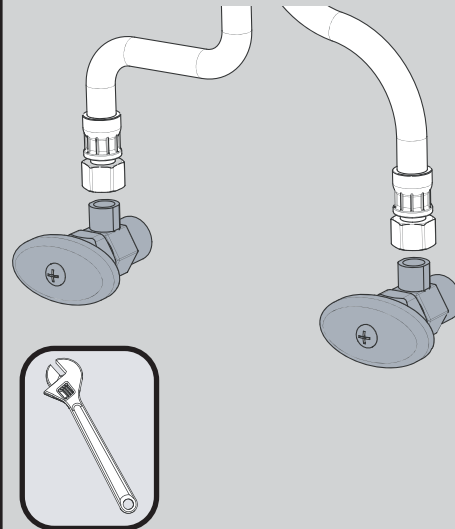
Your new Speakman Product is designed for years of trouble-free performance. Keep it looking new by cleaning it periodically with a soft cloth. The use of harsh chemicals and abrasives may damage the finish and void the product warranty. Please be sure to only use approved cleaners. Please contact Speakman for any clarification of acceptable cleaners.

### WARRANTY

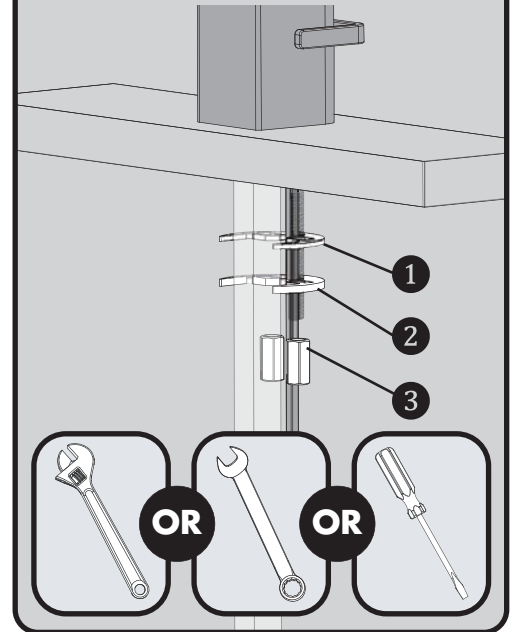
Additional warranty information can be found at: [www.speakman.com](http://www.speakman.com)

**1** Ensure that water supply is turned off. Disconnect Hot and Cold Hoses from water supplies.

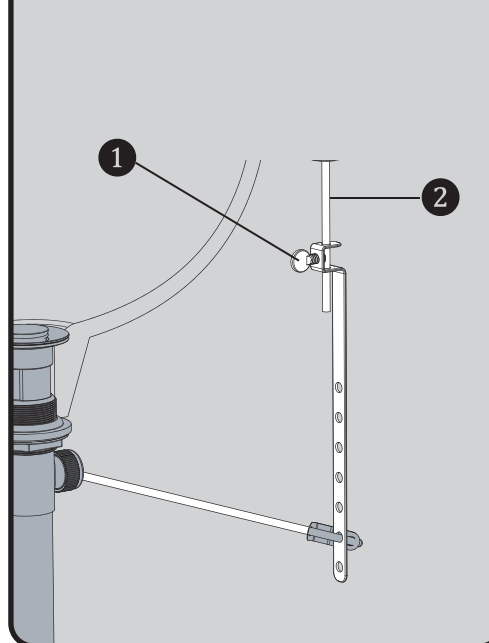
**NOTE:** If the Faucet assembly is not already installed to mounting surface, skip to **Step 5**.



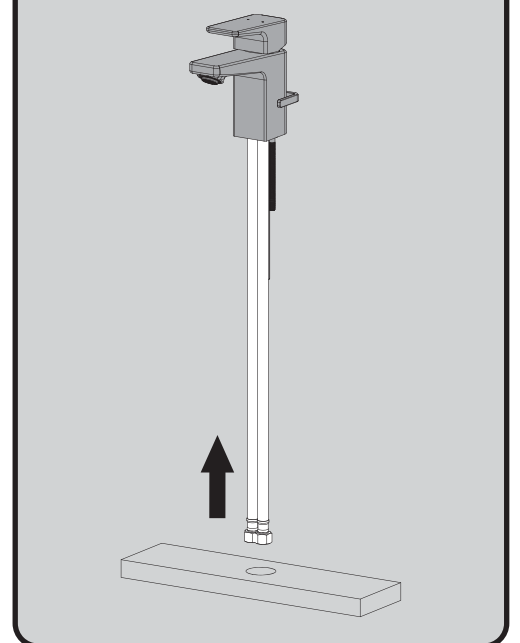
**2** Unscrew Mounting Nuts (3) and remove along with Rubber Washer (1) and Metal Washer (2).



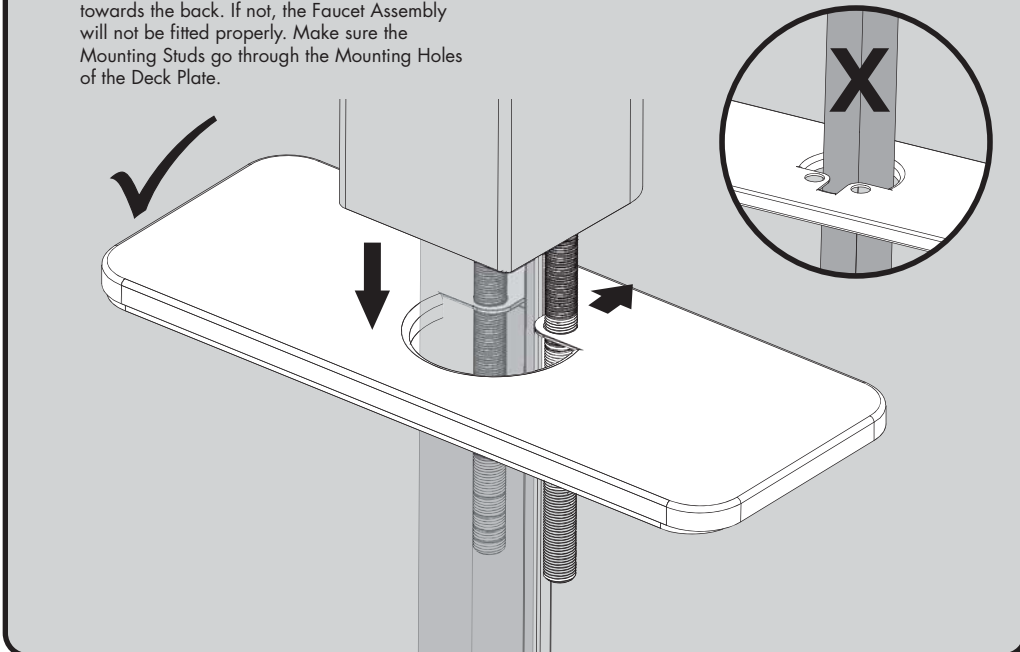
**3** From below, loosen Thumb Screw (1) from Lift Rod (2).



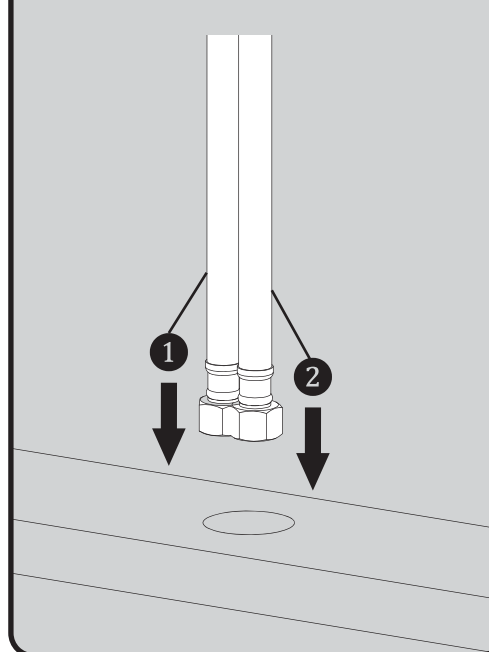
**4** Pull out Faucet Assembly and Hoses, one at a time, thru hole in mounting surface.



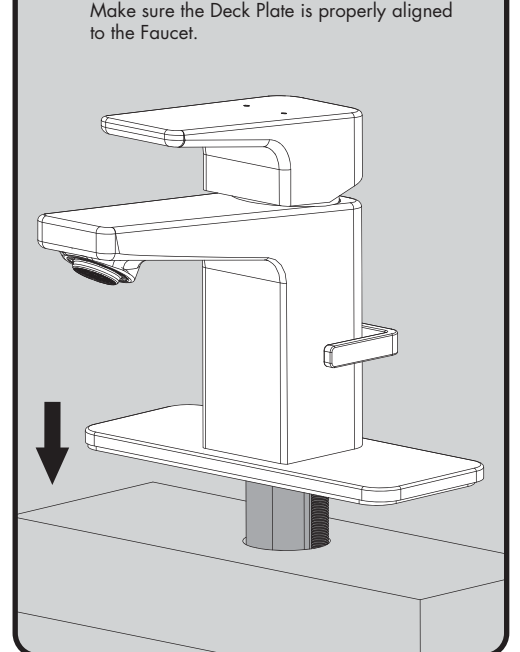
**5** Slip Hoses through the Deck Plate. Ensure the two Mounting Holes of the Deck Plate are facing towards the back. If not, the Faucet Assembly will not be fitted properly. Make sure the Mounting Studs go through the Mounting Holes of the Deck Plate.



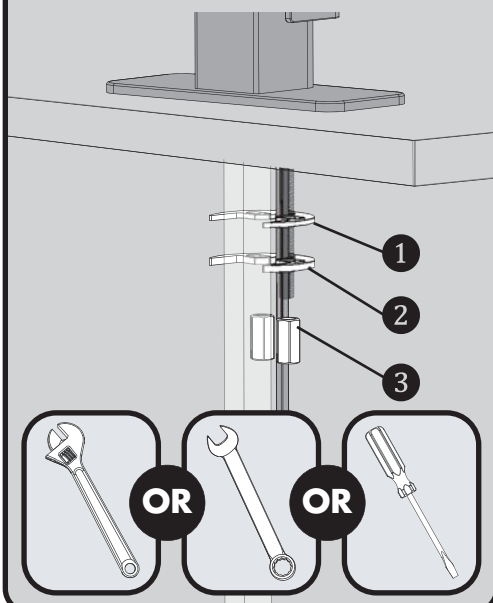
**6** Place Hoses, one at a time, thru hole in mounting surface.



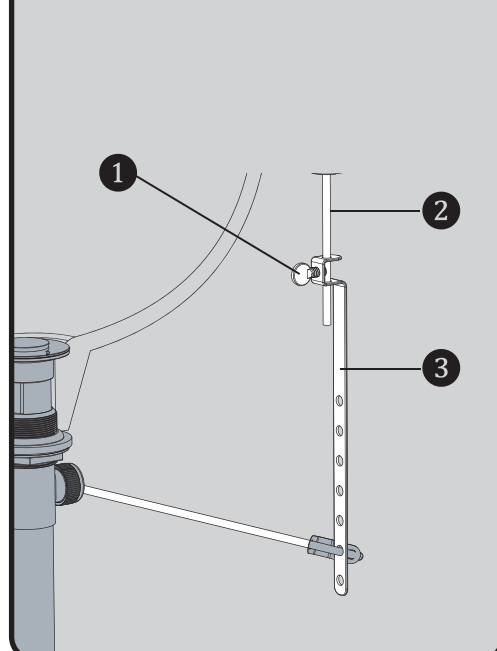
**7** Lower Faucet into position. Ensure a proper seal with the Rubber Gasket to the mounting surface. Make sure the Deck Plate is properly aligned to the Faucet.



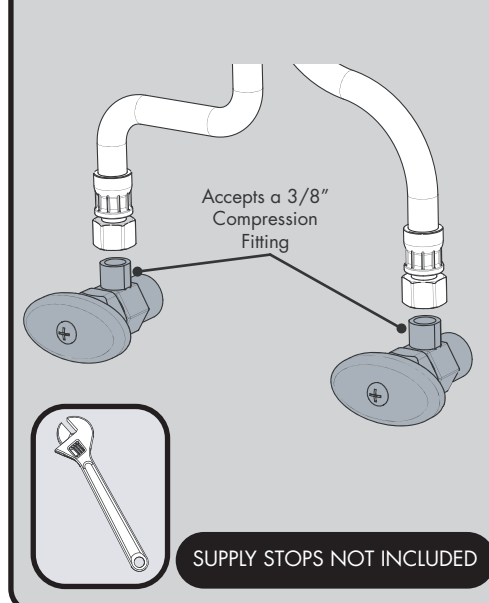
**8** From below, re-install Rubber Washer (1), Metal Washer (2), and secure with Mounting Nuts (3). Align Faucet to desired position and wrench tighten Mounting Nuts (3).



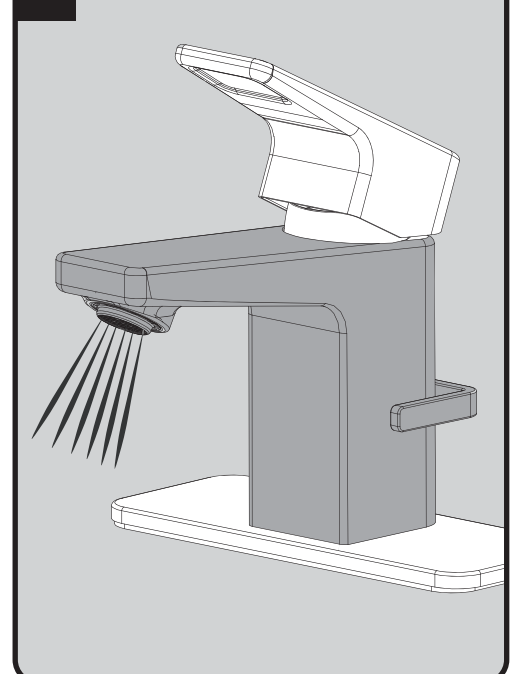
**9** Ensure that Lift Rod (2) is inserted into Strap (3). Tighten Thumb Screw (1).

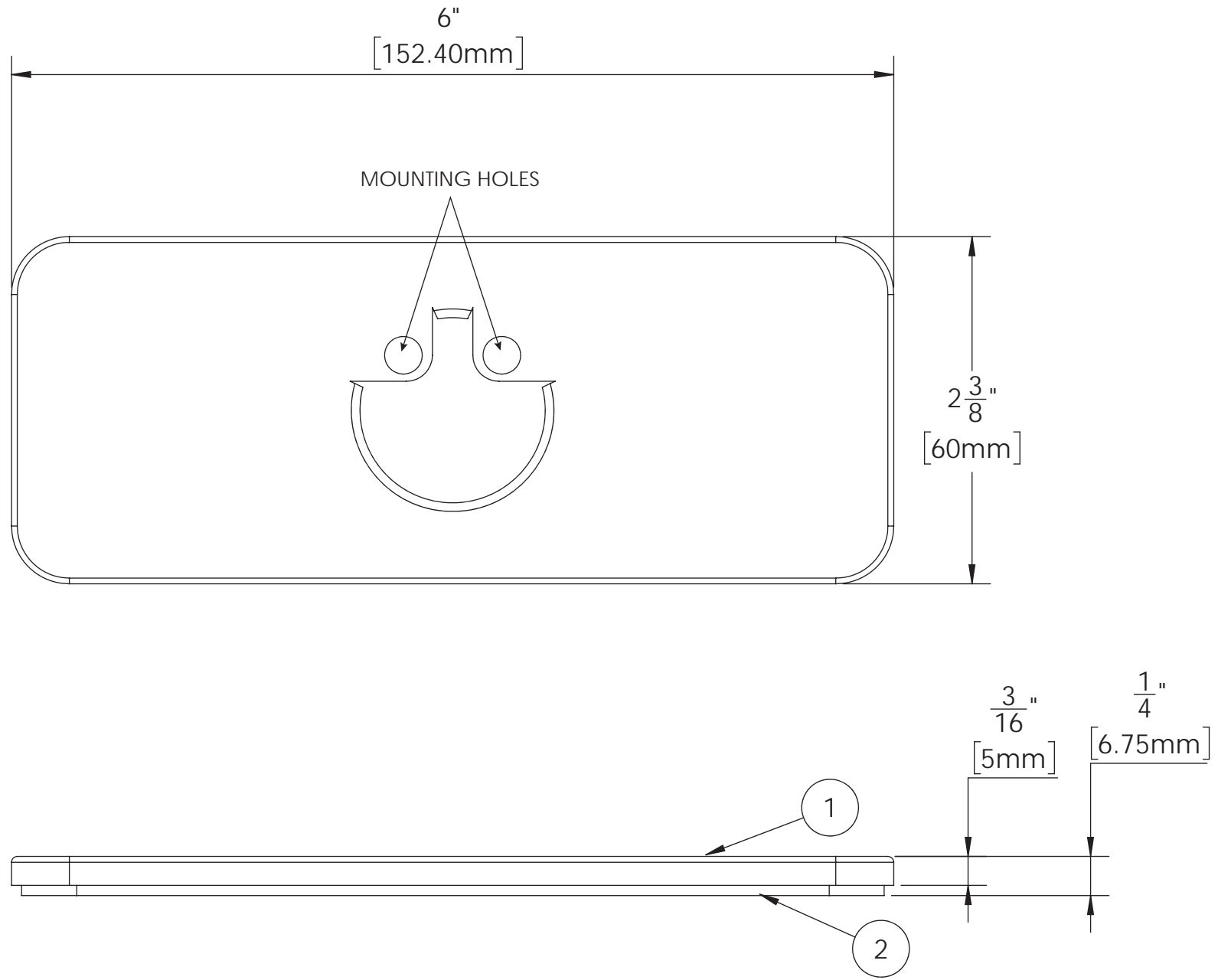


**10** Make connections to water supplies. The inlet threads of the faucet are 9/16"-24 UNF and will accept a 3/8" Compression Fitting. Wrench Tighten.



**11** Turn on water supplies and check for leaks.





ALL DIMENSIONS ARE IN INCHES (MILLIMETERS) UNLESS OTHERWISE SPECIFIED.  
DIMENSIONS SUBJECT TO CHANGE WITHOUT NOTICE.