

## Lura® Valve Trim

### FEATURES:

- Metal cross handle
- Metal trim plate
- Includes mounting plate and hardware

### VALVE OPTIONS:

- CPV-PB: Pressure Balance Valve  
Sweat & Thread Connections
- CPV-PB-PXC: Pressure Balance Valve  
PEX F1807 Crimp Inlet Connections
- CPV-PB-PXE: Pressure Balance Valve  
PEX F1960 Cold-Expansion Inlet Connections
- CPV-T2: Thermostatic Valve  
Sweat & Thread Connections
- CPV-T2-PXC: Thermostatic Valve  
PEX F1807 Crimp Inlet Connections
- CPV-T2-PXE: Thermostatic Valve  
PEX F1960 Cold-Expansion Inlet Connections

### STOCK FINISHES:



PC MB BBZ BN

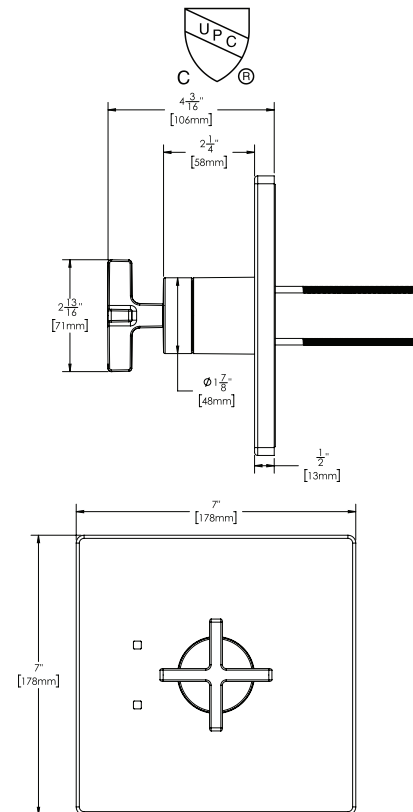
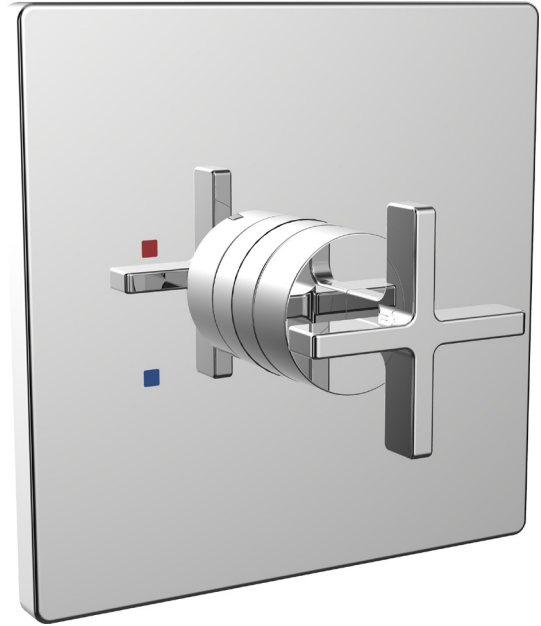
### STANDARDS:

- ASME A112.18.1/CSA B125.1 certified

### WARRANTY:

Visit [www.speakman.com](http://www.speakman.com) for full product warranty information

- 5 Year Limited Warranty (commercial)
- Limited Lifetime Warranty (residential)



All dimensions are in inches (millimeters) unless otherwise specified and are subject to change without notice.

Architect/Engineer Approval Space:

P: 800-537-2107  
 F: 800-977-2747  
 W: WWW.SPEAKMAN.COM  
 R: 02-FEBRUARY 2022