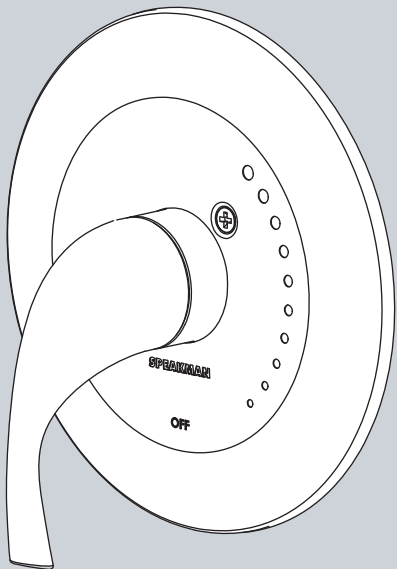


INSTRUCTIONS FOR MODELS

SM-12000 Trim Installation



NEED HELP?

For additional assistance or service please contact:

SPEAKMAN® Company
400 Anchor Mill Road
New Castle, DE 19720

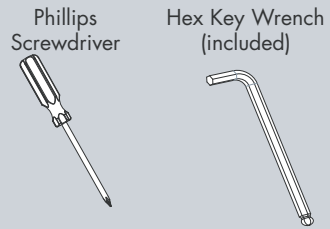
800-537-2107

customerservice@speakman.com

www.speakman.com

92-CPT-12000-02

TOOLS AND SUPPLIES



IMPORTANT

- Be sure to read instructions thoroughly before beginning installation.
- Be sure to have properly adjusted the Temperature Limiting Stop (TLS) as outlined in the Valve Installation Manual.
- Inspect all connections after installation of valve.
- This valve has an operating range of 20-80 Psi.
- This valve is designed to be used in conjunction with a shower-head rated at 1.75 gpm (6.6 L/min) or higher flow rate.

SAFETY TIPS

Cover your drain to prevent loss of parts.

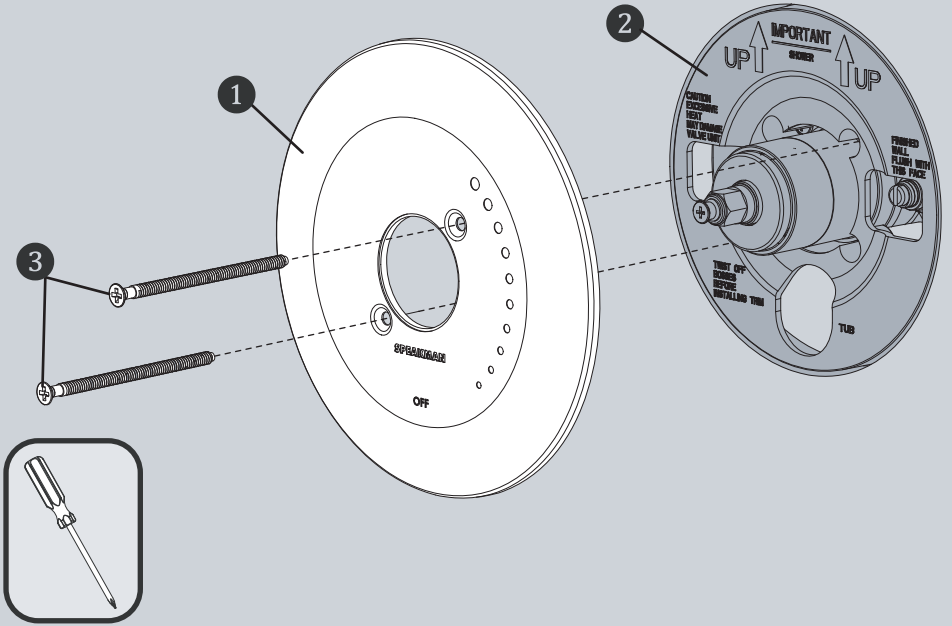
MAINTENANCE

Your new Valve Trim is designed for years of trouble-free performance. Keep it looking new by cleaning it periodically with a soft cloth. The use of harsh chemicals and abrasives on any of the Speakman custom finish products may damage the finish and void the product warranty. Please be sure to only use approved cleaners. Please contact Speakman for any clarification of acceptable cleaners.

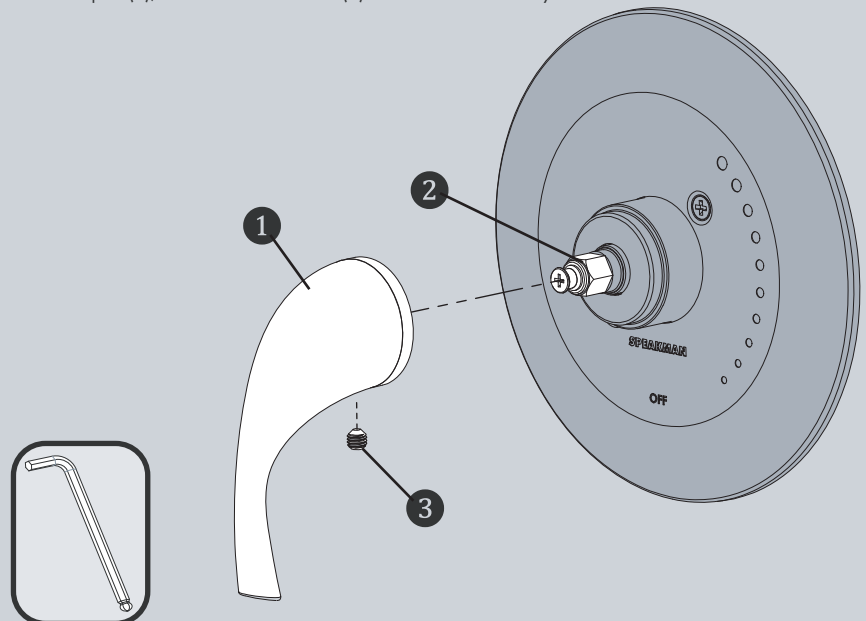
WARRANTY

Additional warranty information can be found at: www.speakman.com

1 Align Wall Plate (1) to Valve (2) and secure with Screws (3). Take care to not over tighten the screws or damage may occur.

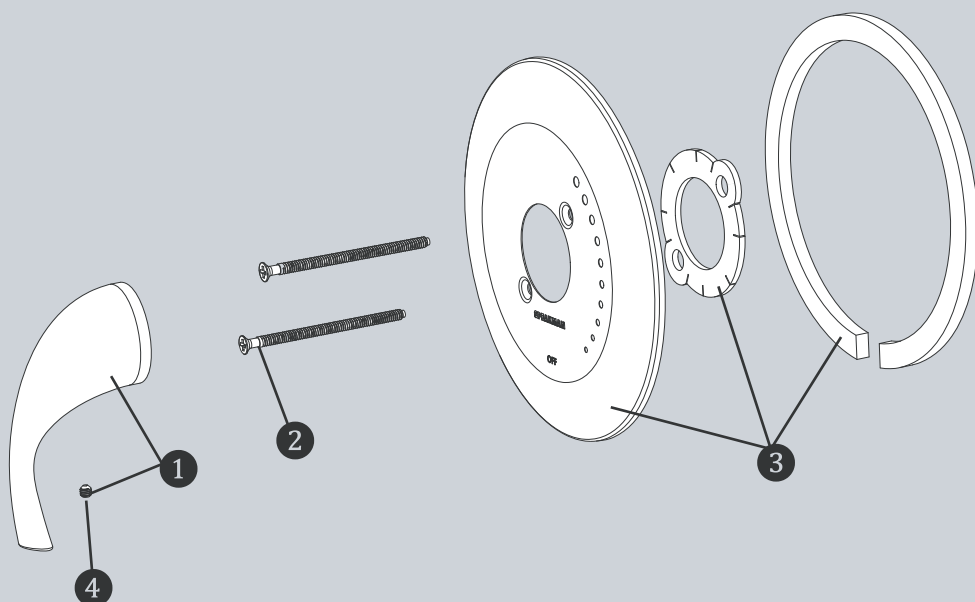


2 Ensure the Valve is in the "Off" position. Align Handle (1) vertically as shown below. Install onto Spindle Adapter (2), and secure Set Screw (3) with included Hex Key.



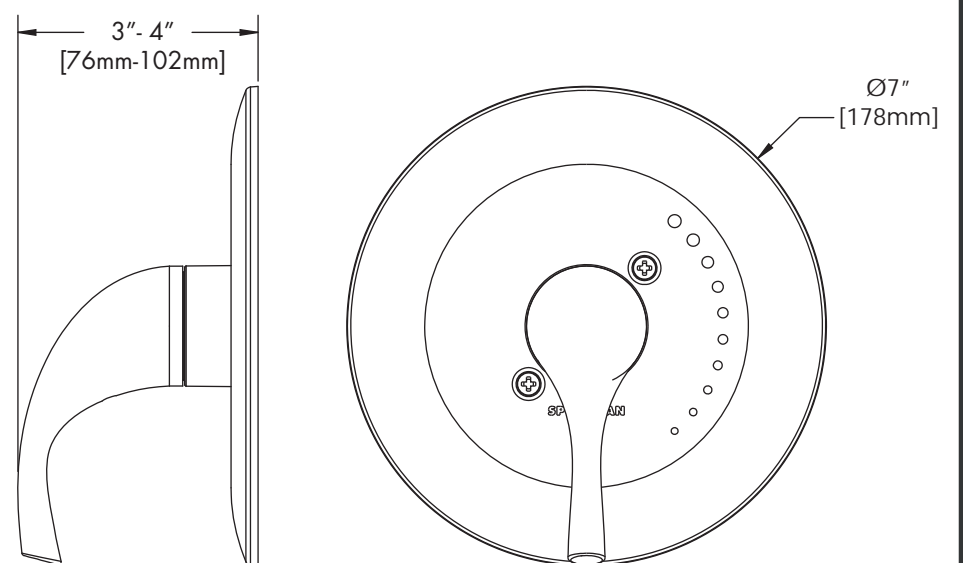
SM-12000 TRIM REPAIR PARTS

SPEAKMAN®



ITEM NO.	PART NO.	DESCRIPTION
1	RPG04-34938	HANDLE ASSEMBLY (INCLUDES SET SCREW)
2	RPG48-21019	TRIM PLATE SCREWS (2)
3	RPG54-21018	TRIM PLATE ASSEMBLY
4	RPG48-20993	HANDLE SET SCREW

SM-12000 TRIM ROUGH-IN DIAGRAM



DIMENSIONS SUBJECT TO CHANGE WITHOUT NOTICE.