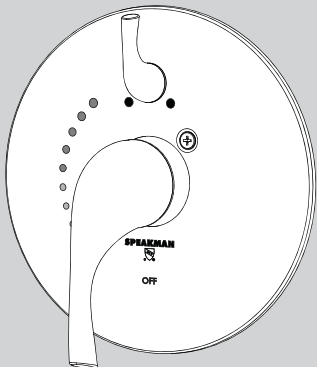
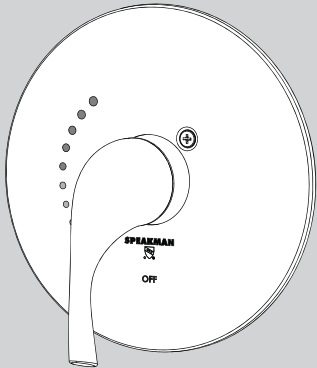


INSTRUCTIONS FOR MODELS

CPT-12001
CPT-12401



NEED HELP?

For additional assistance or service please contact:

SPEAKMAN® Company
400 Anchor Mill Road
New Castle, DE 19720

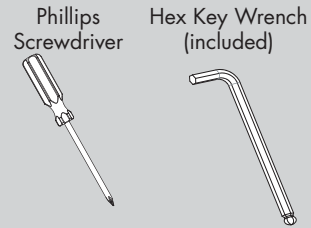
800-537-2107

customerservice@speakman.com

www.speakman.com

92-CPT-12001-01

TOOLS AND SUPPLIES



IMPORTANT



- Be sure to read instructions thoroughly before beginning installation.
- Be sure to have properly adjusted the Temperature Limiting Stop (TLS) as outlined in the Valve Installation Manual.
- Cover your drain to prevent loss of parts. Be sure to wear eye protection while cutting pipe.

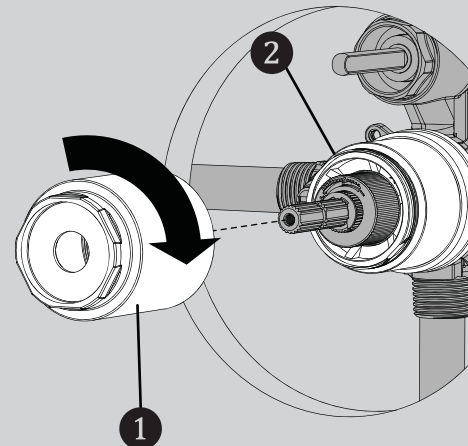
MAINTENANCE

Your new Valve Trim is designed for years of trouble-free performance. Keep it looking new by cleaning it periodically with a soft cloth. The use of harsh chemicals and abrasives on any of the Speakman custom finish products may damage the finish and void the product warranty. Please be sure to only use approved cleaners. Please contact Speakman for any clarification of acceptable cleaners.

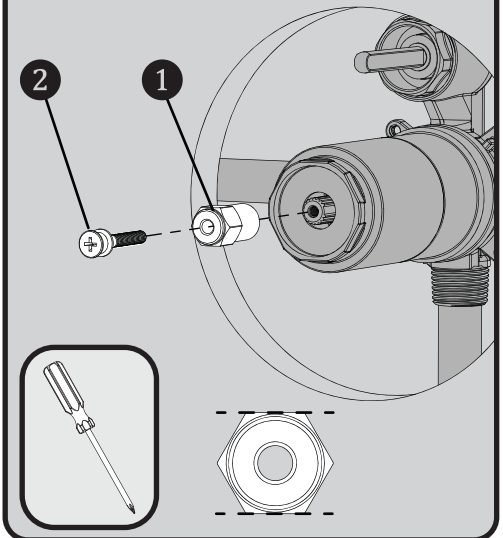
WARRANTY

Warranty information can be found at:
www.speakman.com

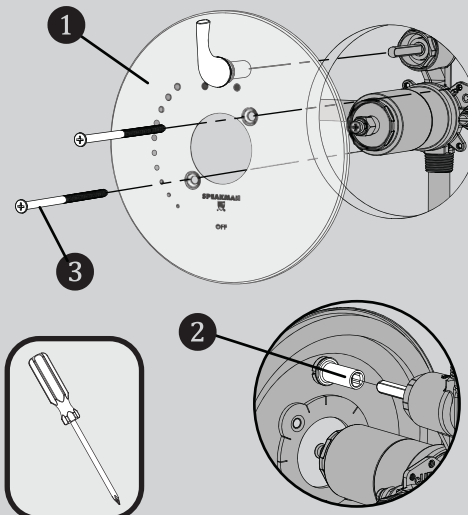
- 1** Verify that the Valve is in the "OFF" position. Thread the Escutcheon **1** onto the Bonnet **2** of the Valve. Hand tighten into position.



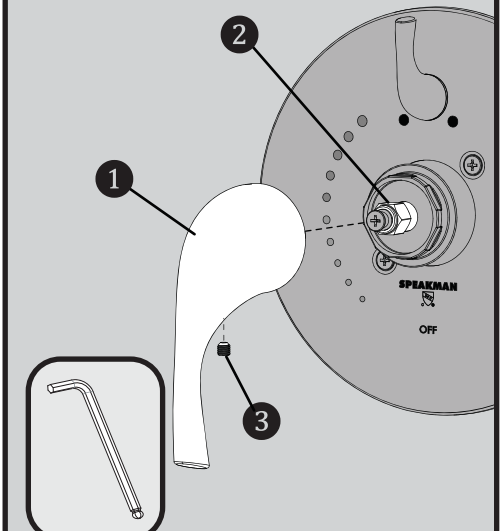
- 2** Install the Spindle Adapter **1** onto the Spindle so that a flat portion is perfectly horizontal as shown below. Secure the Spindle Adapter with the included Screw **2**.



- 3** Install the Wall Plate **1** to the Valve. If installing a Diverter model of Trim, Align the Diverter Handle to the 12 o'clock position and position the Diverter Drive Tube **2** over the Diverter Spindle of the Valve. Secure with the included Mounting Screws **3**.

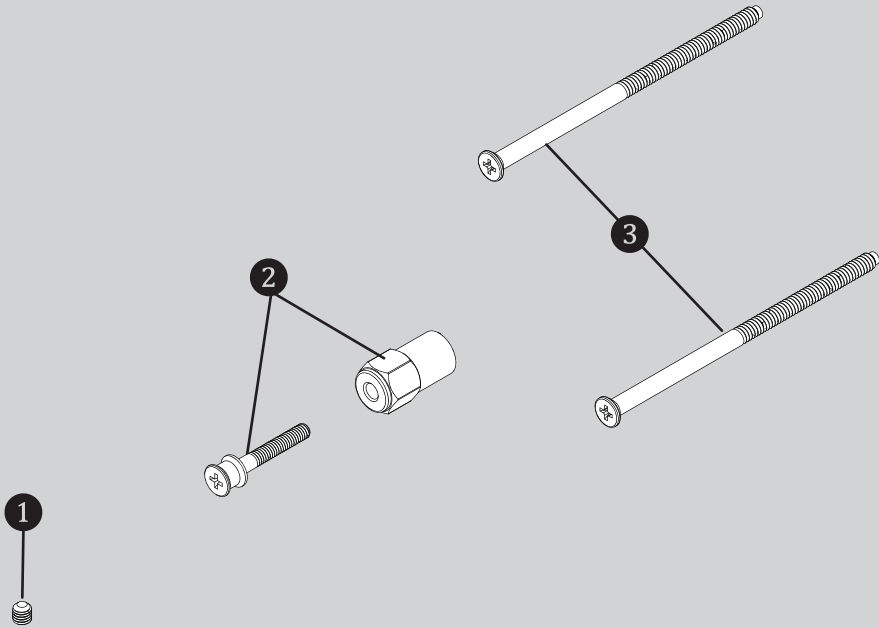


- 4** Orient the Handle **1** as shown below and position over the Spindle Adapter **2**. Secure with the included Set Screw **3**.



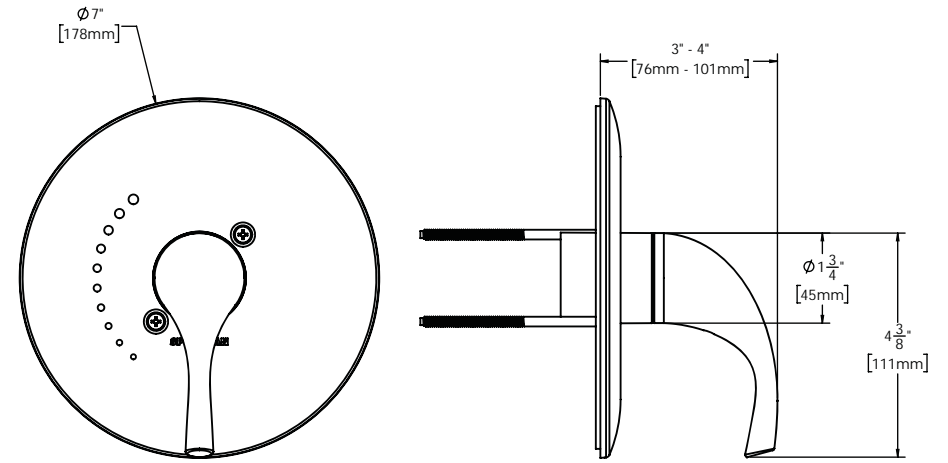
CPT-12001/12401 REPAIR PARTS

SPEAKMAN®



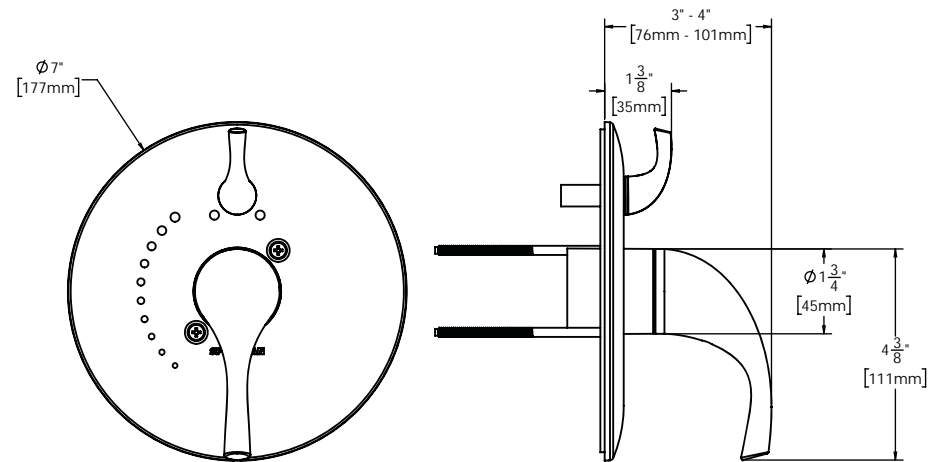
ITEM NO.	PART NO.	DESCRIPTION
1	RPG48-20993	HANDLE SET SCREW
2	RPG05-1125	SPINDLE ADAPTER AND SCREW
3	RPG48-0050	MOUNTING SCREWS (2)

CPT-12001 ROUGH-IN DIAGRAM



DIMENSIONS SUBJECT TO CHANGE WITHOUT NOTICE.

CPT-12401 ROUGH-IN DIAGRAM



DIMENSIONS SUBJECT TO CHANGE WITHOUT NOTICE.