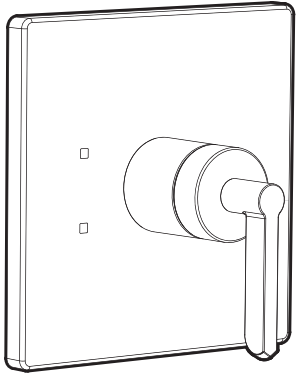
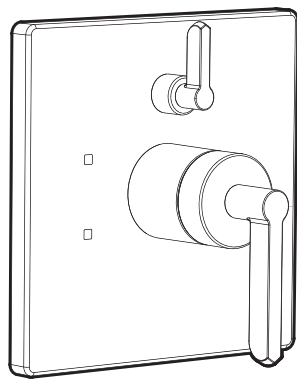


INSTALLATION INSTRUCTIONS

CPT-3101 Shower Valve Trim



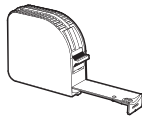
CPT-3501 Shower Valve Trim with Integral Diverter



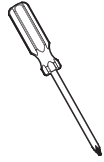
92-CPT-3501-01

TOOLS & SUPPLIES NEEDED

Measuring
Tape



Phillips
Screwdriver



IMPORTANT

SAFETY TIPS:

Be sure to read and understand all instructions before beginning installation.

Inspect all connections after installation.

Cover the drain to avoid loss of parts.

Be sure to wear proper eye protection.

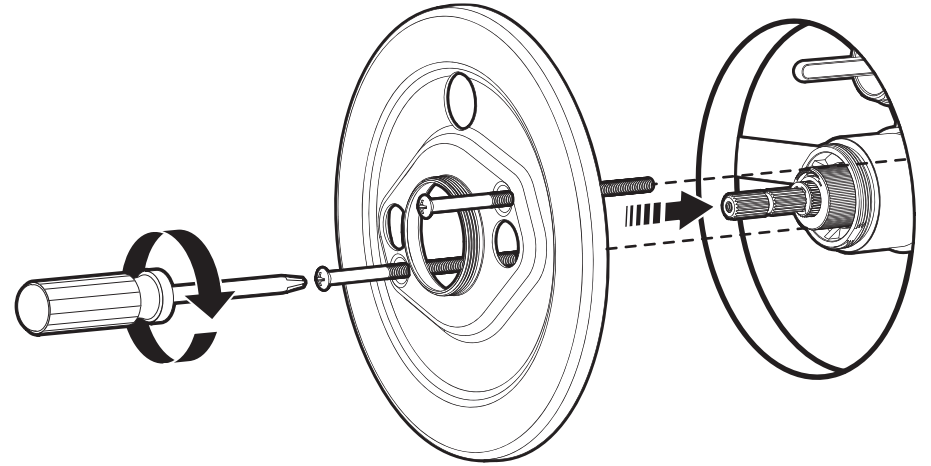
Do NOT over tighten any connections or damage may occur.

FINISH MAINTENANCE:

Your new product is designed for years of trouble-free performance. Keep it looking new by cleaning it periodically with a soft cloth. Avoid abrasive cleaners, steel wool, and harsh chemicals as these will dull the finish and void your warranty.

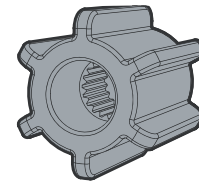
INSTALL BASE FLANGE

- 1 Clean wall surface. Place the Base Flange onto the Valve while orienting as shown below. Align mounting holes of the Base Flange to the corresponding threaded holes in the Valve, and secure with supplied screws.

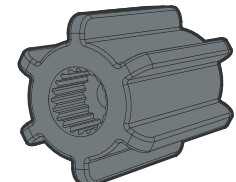


SELECT SPLINE ADAPTER

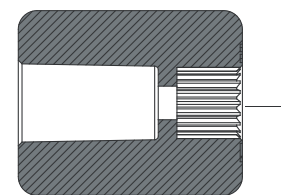
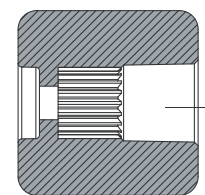
- 2 There are two Spline Adapters included to allow for both Shallow Mount or Deep Mount applications. Please select the Spline Adapter appropriate for your installation.



For Shallow Mount Application



For Deep Mount Application



NEED HELP?

For additional assistance or service please contact:



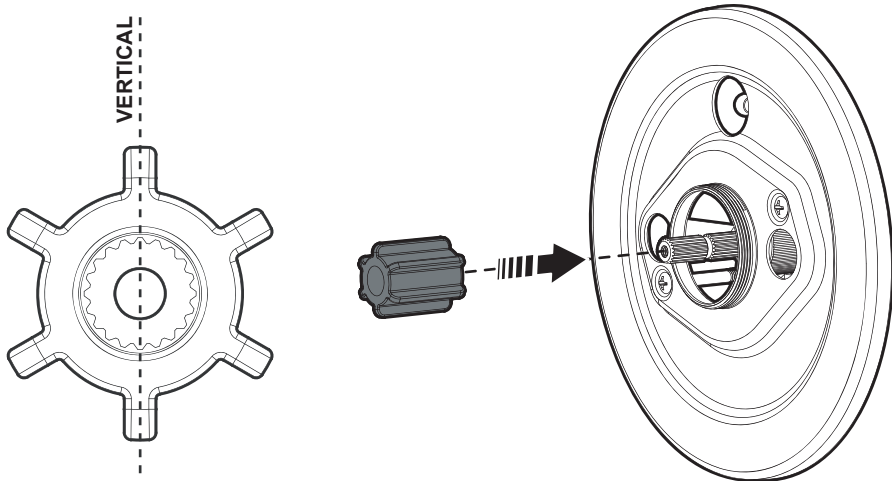
800-537-2107



www.speakman.com

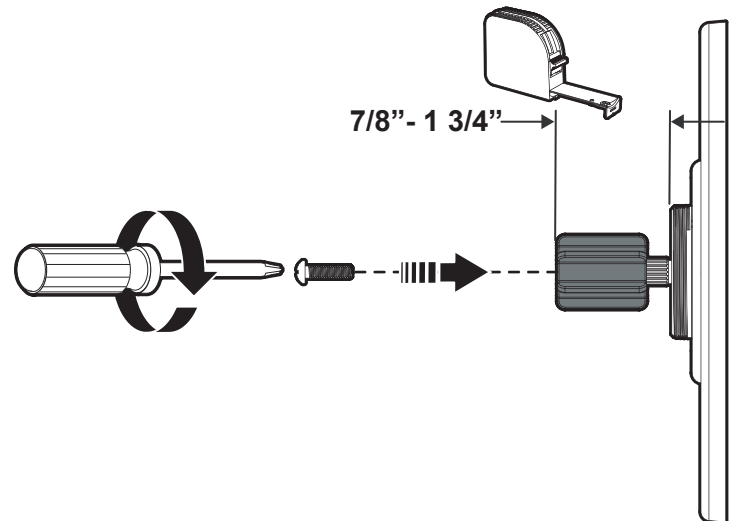
TEST FIT SPLINE ADAPTER

- 3 Confirm Valve is in the "OFF" position. Place appropriate Spline Adapter onto Spindle of Valve, while making sure to orient the Spline Adapter so that one set of Splines are perfectly vertical when installed. See image below for reference.



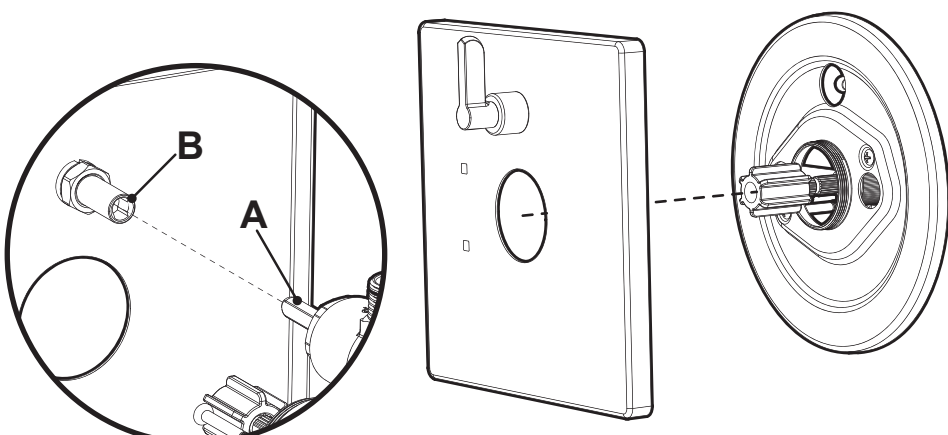
VERIFY SPLINE ADAPTER SELECTION

- 4 When installed correctly, the Spline Adapter should extend beyond the threaded portion of the Base Flange **in-between 7/8" - 1 3/4"**. Measure as shown below. If your installation does not fall within this range, try swapping Spline Adapters. Secure into position with the supplied Screw.



INSTALL WALL PLATE

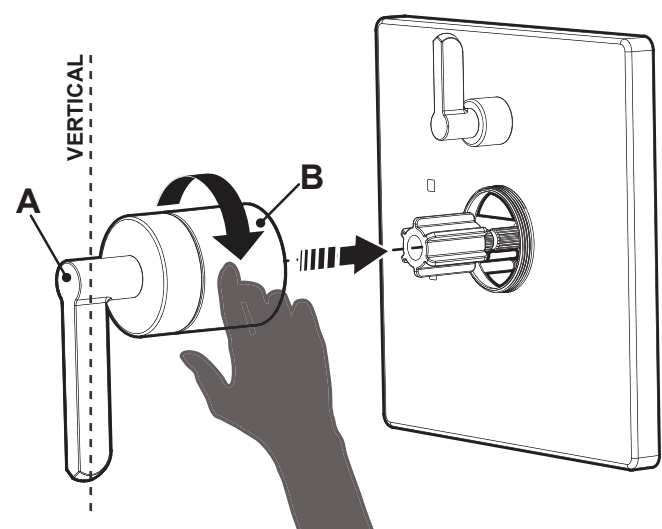
- 5 Install Wall Plate over Base Flange. Be sure to properly align Wall Plate as shown below. If your model has a Diverter, ensure the Diverter Stem of the Valve (A) is perfectly vertical. Align the Diverter Stem of the Valve (A) to the Diverter Handle assembly on the Wall Plate (B). Diverter Handle should point upwards when installed.



* VIEW FROM BACK OF WALL PLATE

INSTALL VALVE HANDLE

- 6 Align Handle Assembly with Spline Adapter as shown below. Keep Handle (A) in a stationary vertical position as you install over the Spline Adapter. While keeping the Handle (A) in a stationary vertical position, thread Handle Hub (B) onto the Base Flange. Hand tighten into final position.



PRODUCT WARRANTY

This product is warranted to be free of defects in material and workmanship for the period listed below from the date of installation.

Consumer/Residential: Limited Lifetime Warranty
Commercial Use: 5 Year Limited Warranty

Speakman warrants to its purchasers only ("Buyer") that goods are sold free from defects in materials and workmanship and conform to Speakman's specifications at the time of manufacturing, provided the goods are properly installed and maintained. Buyer's sole and exclusive remedy for any goods that may prove to have had a non-conformance within the Warranty Period shall be, at Speakman's sole option, the repair or replacement of the non-conforming goods. For additional information please go to www.speakman.com.

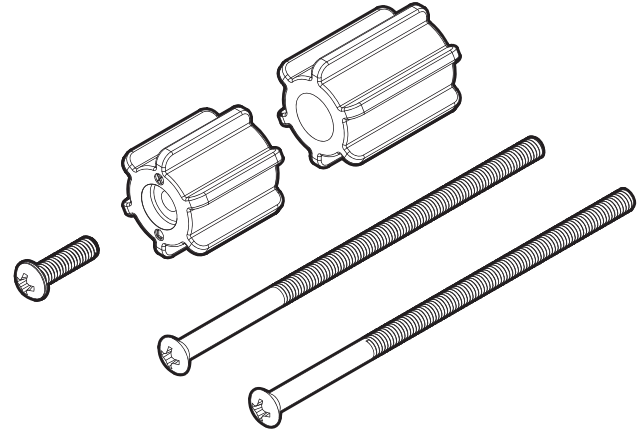
CALIFORNIA PROPOSITION 65



CALIFORNIA PROPOSITION 65:

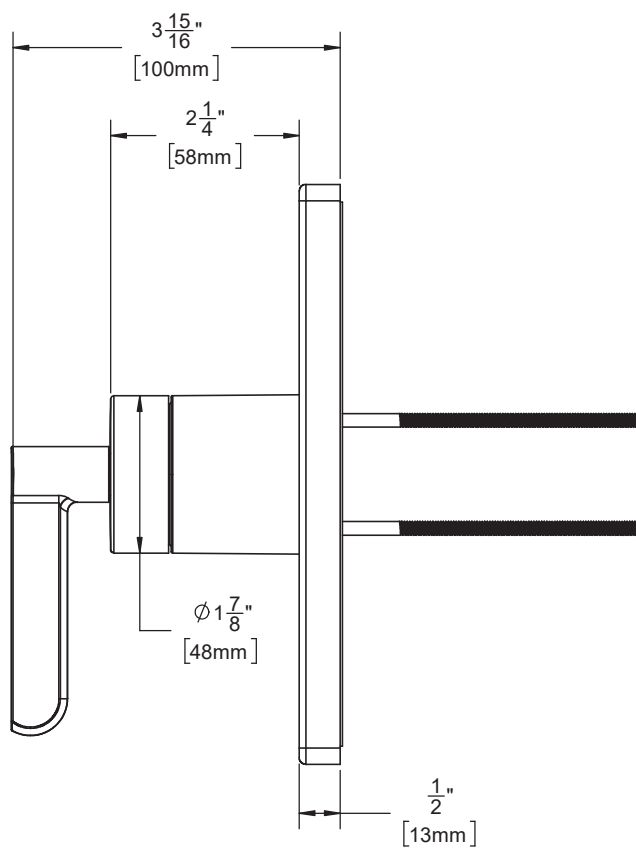
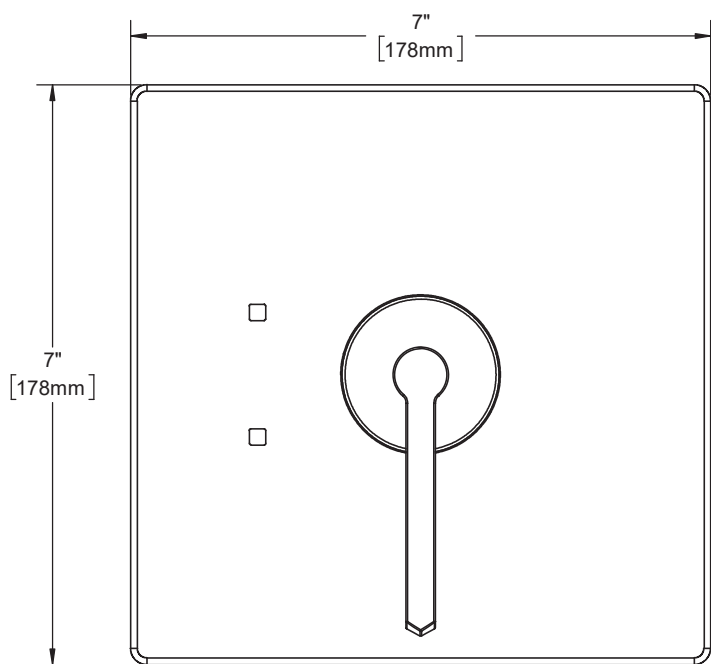
WARNING: This product can expose you to chemicals including lead, which is known to the State of California to cause cancer and birth defects or other reproductive harm. For more information go to www.P65Warnings.ca.gov. Wash hands after installation, repair, or removal of this product.

REPAIR PARTS



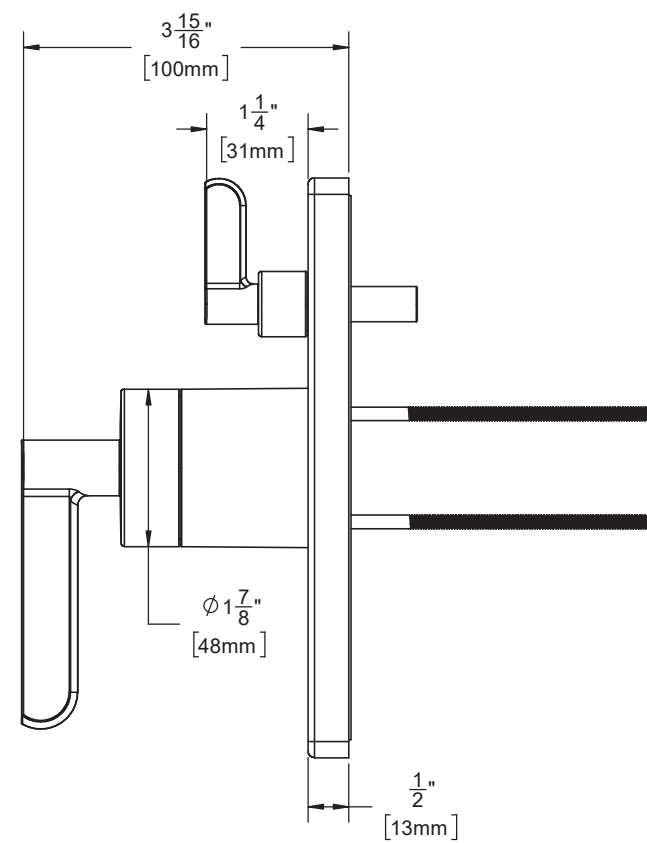
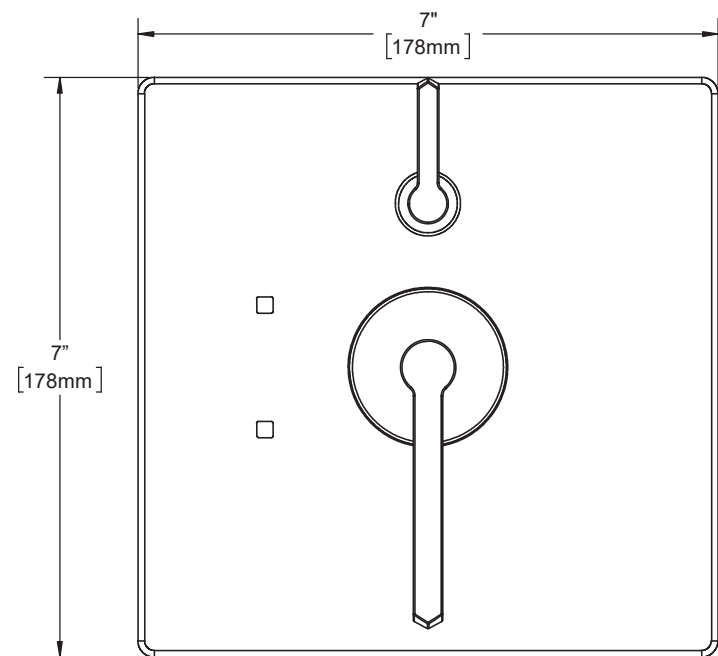
RPG48-108295
 SPINDLE ADAPTERS
 SPINDLE ADAPTER SCREW
 BASE FLANGE MOUNTING SCREWS

CPT-3101 ROUGH IN DIAGRAM



DIMENSIONS SUBJECT TO CHANGE WITHOUT NOTICE. FOR ADA MOUNTING LOCATIONS, CONSULT ADAAG, ANSI A117.1, AND LOCAL/STATE REGULATIONS.

CPT-3501 ROUGH IN DIAGRAM



DIMENSIONS SUBJECT TO CHANGE WITHOUT NOTICE. FOR ADA MOUNTING LOCATIONS, CONSULT ADAAG, ANSI A117.1, AND LOCAL/STATE REGULATIONS.