

Sentinel Mark II® Pressure Balance Diverter Shower Valve

MODELS:

- CPV-PB-DV: Pressure Balance Diverter Shower Valve
Sweat & Thread Connections
- CPV-PB-DV-PXC: Pressure Balance Diverter Shower Valve
PEX F1807 Crimp Inlet Connections
- CPV-PB-DV-PXE: Pressure Balance Diverter Shower Valve
PEX F1960 Cold-Expansion Inlet
Connections

FEATURES:

- Brass body construction
- Four port valve with sweat & thread, PXC or PXE inlet connections (depending on model), and sweat & thread shower and tub outlets
- Pressure balancing piston and temperature regulating ceramic cartridge with built-in check stops
- Ceramic diverter cartridge allows for transition between two independent settings
- Adjustable temperature limit stop to control maximum temperature setting
- Integral stops allow water shut off for servicing valve
- Supports back-to-back installation
- Includes rough-in template and 1/2" pipe cap

TRIM OPTIONS:

- | | |
|--------------|---------------|
| • CPT-1400-P | • CPT-10400-P |
| • CPT-1401 | • CPT-12401 |
| • CPT-3401 | • CPT-24400 |
| • CPT-7400-P | • CDCPT25401 |
| • CPT-8400-P | • CDCPT25403 |
| • CPT-8401-P | • CPT-27400 |

STANDARDS:

- ASME A112.18.1/CSA B125.1 certified
- ASSE 1016 certified
- Certified at 1.75gpm

WARRANTY:

Visit speakman.com for full product warranty information

- 5 Year Limited Warranty (commercial)
- 5 Year Limited Warranty (residential)



CPV-PB-DV



CPV-PB-DV-PXC



CPV-PB-DV-PXE

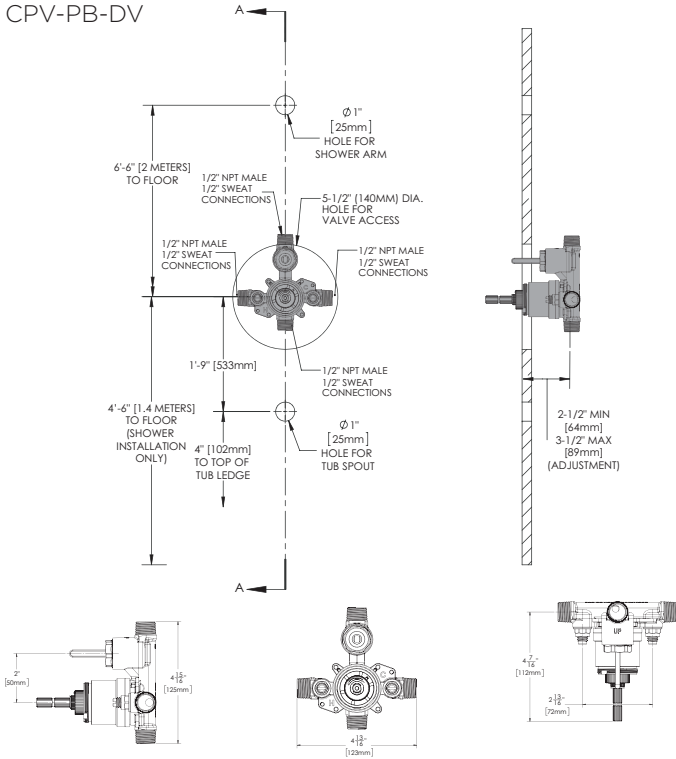
1. All dimensions are in inches (millimeters) unless otherwise specified and are subject to change without notice. 2. For ADA mounting locations, consult ADAAG, ANSI A117.1, and state regulations.

Architect/Engineer Approval Space:

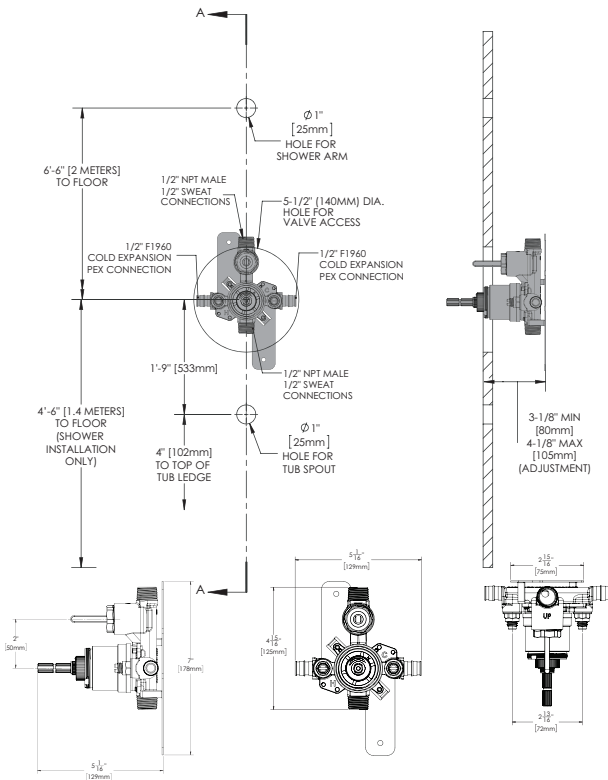
P: 800-537-2107
F: 800-977-2747
W: WWW.SPEAKMAN.COM
R: 04-FEBRUARY 2021

Sentinel Mark II® Pressure Balance Diverter Shower Valve

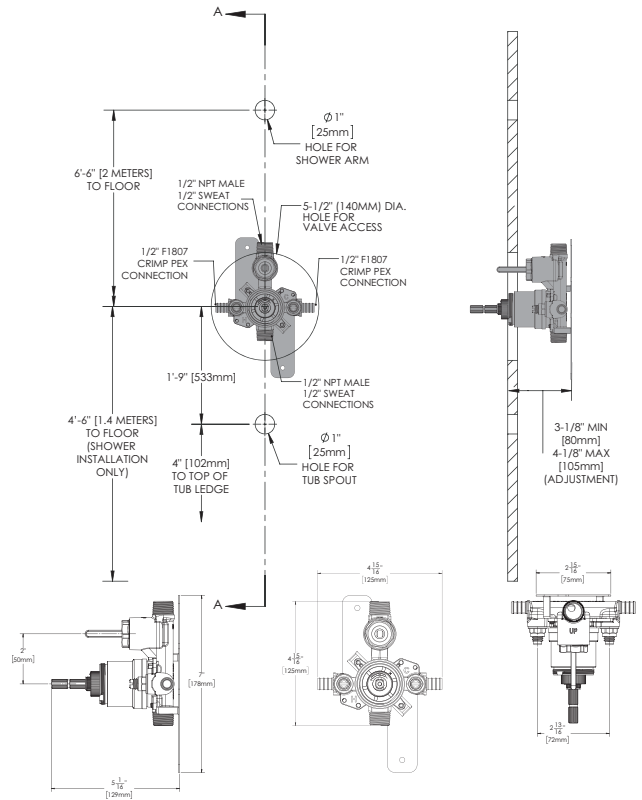
CPV-PB-DV



CPV-PB-DV-PXE



CPV-PB-DV-PXC



1. All dimensions are in inches (millimeters) unless otherwise specified and are subject to change without notice. 2. For ADA mounting locations, consult ADAAG, ANSI A117.1, and state regulations.

Architect/Engineer Approval Space:

P: 800-537-2107
 F: 800-977-2747
 W: WWW.SPEAKMAN.COM
 R: 04-FEBRUARY 2021