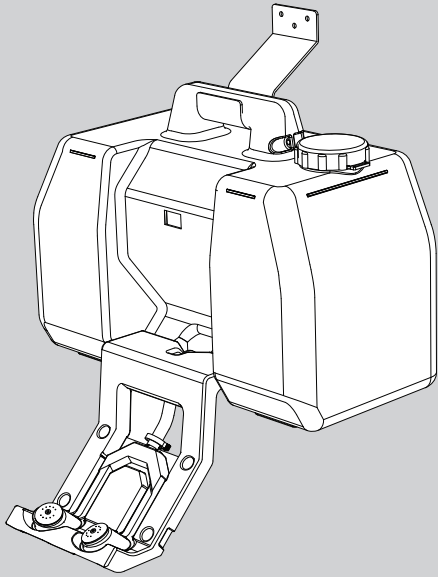


INSTRUCTIONS FOR MODELS

HW-4400 Portable Hand Wash Station



NEED HELP?

For additional assistance or service please contact:

SPEAKMAN®

51 LaCru Avenue
Glen Mills, PA 19342

800-537-2107

customerservice@speakman.com

www.speakman.com

92-HW-4400-02



IMPORTANT



This product should NOT be used as a Emergency Eye Wash, it is intended for Hand Washing purposes only.

Water supplied via this product is NOT to be used for cooking or drinking purposes.

It is recommended, and some codes may require, this hand wash be used in conjunction with a soap dispenser.

The height of the spray heads should be between 33"-45" from the floor.

The HW-4400 weighs approximately 100 lbs when filled. Ensure the mounting surface and mounting hardware (not supplied) can safely hold a minimum vertical load of 150 lbs.

Be sure to read instructions thoroughly before beginning installation.

It is recommended that the unit be full at all times. Refill the tank with potable water as needed.

SAFETY TIPS

The HW-4400 Portable Hand Washing Station should be installed in close proximity to potential need areas. It should be clearly identified, free from obstructions and easily accessible.

The HW-4400 shall be protected from freezing, direct sunlight, and shall not be exposed to ambient temperatures exceeding 38°C (100°F).

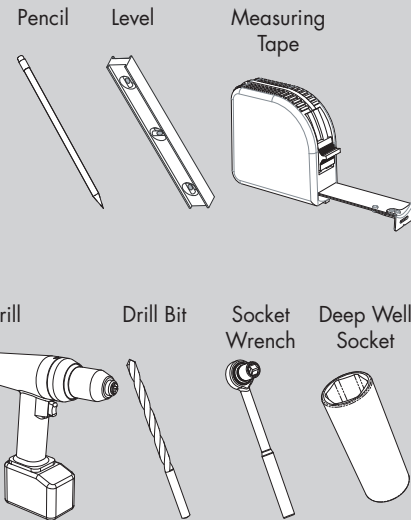
MAINTENANCE

Occasional cleaning and disinfection is recommended. To clean the inside of unit, add 1/4 cup (2 fluid oz.) of Clorox Liquid Bleach to a full tank of potable water. Allow the mixture to penetrate for 15 minutes. Drain tank, and rinse thoroughly several times with potable water. For further information about Clorox Liquid Bleach, call toll-free at 1-800-292-2200. Follow refilling instructions in this manual and place tank back in service. Should any repair part be required, use only genuine SPEAKMAN parts for repair or replacement. See available replacement parts on the final page of this manual. To order replacement parts, please call toll-free at 1-800-537-2107

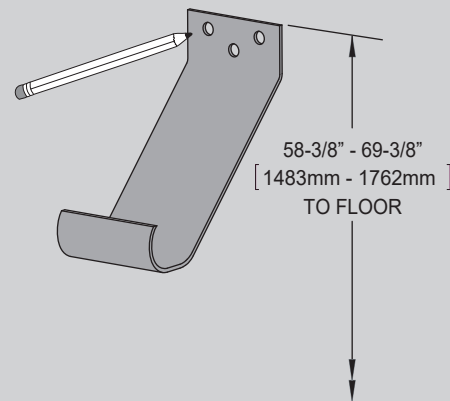
WARRANTY

3 Year Limited Warranty: Speakman products are warranted to be free of defects in material and workmanship for 3 years from date of installation. ("Warranty Period") Speakman warrants to its purchases ("Buyer") that goods are sold free from defects in materials and workmanship and conform to Speakman's specifications at the time of manufacturing, provided the goods are properly installed and maintained. Buyer's sole and exclusive remedy for any goods that may prove to have had a non-conformance within the Warranty Period shall be, at Speakman's sole option, the repair or replacement of the non-conforming goods

TOOLS AND SUPPLIES

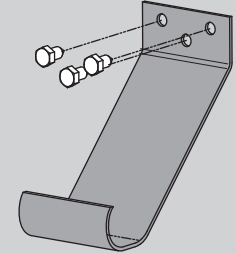


- 1** Select a suitable mounting location for the HW-4400 capable of supporting 150 lbs. The location should protect the unit from freezing and potential scalding conditions. Place mounting bracket on surface so the top of the mounting bracket is located between 58 3/8" - 69 3/8" from the floor. Making sure the bracket is level, mark the mounting locations onto the structure.



2

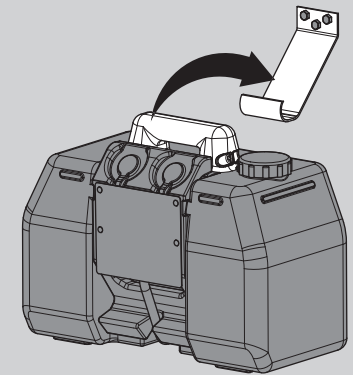
Drill necessary holes into mounting surface and secure Mounting Bracket to surface using appropriate hardware, being sure to torque to manufacturer's specifications.



NOTE: Mounting hardware not included. Ensure the mounting surface (wall, etc.) and mounting hardware can safely hold a minimum vertical load of 150 lbs.

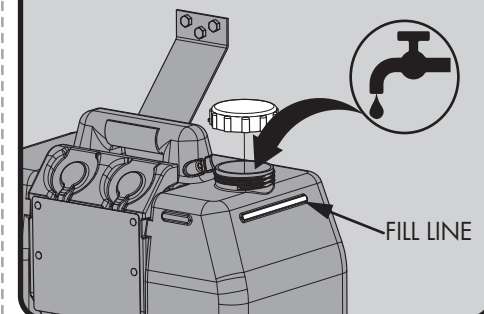
3

Install empty tank onto Mounting Bracket (if wall mounting) or table top surface.



4

Remove Fill Cap and fill tank to line with potable water (approximately 9 gallons). Failure to use potable water can result in units producing impure or contaminated water.





IMPORTANT



Self-contained hand wash equipment should be visually checked on a regular basis to ensure adequate water is present. Frequency of these inspections is dependent on environment conditions, but at a minimum weekly. Failure to conduct visual checks could lead to further injury.

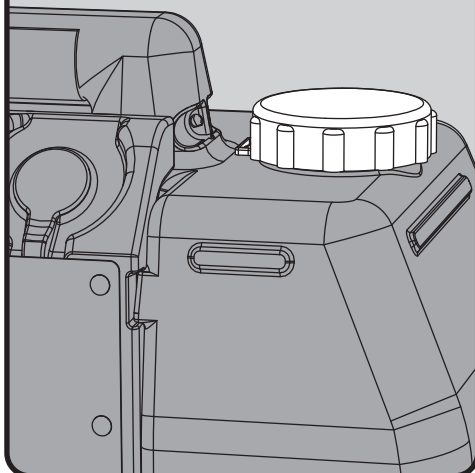
Customer should take precautions to help prevent the growth of potentially harmful bacteria in the tank. Either of the following procedures is recommended.

Thoroughly cleanse tank at least once every month. See "Maintenance" Section for further information of cleaning unit.

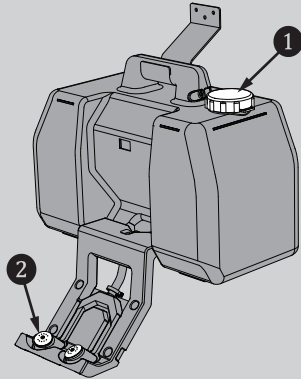
Procedure 1: Use suitable Bacteriostatic preservative to help prevent growth of bacteria in hand wash tank. Hand wash tank should be drained, flushed and refilled with clean potable water and Bacteriostatic preservative added as directed by the preservative's manufacturer.

Procedure 2: Drain, flush and refill units with clean potable water at least once every week unless site conditions require more frequent changing.

5 Reinstall Fill Cap. Secure the included Maintenance Tag to the tank in a location where it can be easily checked.



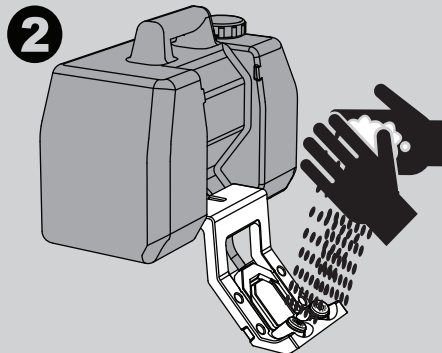
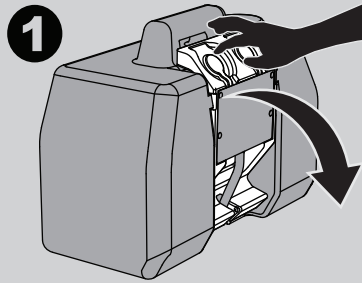
HW-4400 REPAIR PARTS

SPEAKMAN®

ITEM NO.	PART NO.	DESCRIPTION
1	RPG07-0021	REPLACEMENT FILL CAP - QTY: 1
2	RPG38-0434	REPLACEMENT SPRAY OUTLET - QTY: 1

ACTIVATION

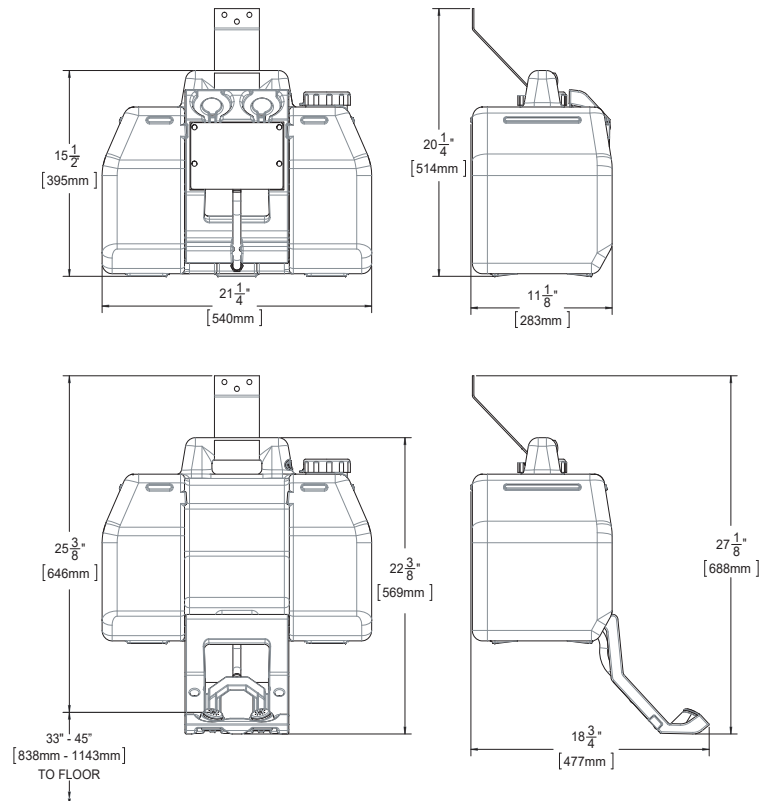
To activate the Hand Wash, rotate activation tray downward.



FLOW DATA:

Run Time (Full Tank): 15 minutes (minimum)
Flow Rate: .4 gpm (1.5 L/min) (minimum)

HW-4400 ROUGH IN DIAGRAM

SPEAKMAN®

DIMENSIONS SUBJECT TO CHANGE WITHOUT NOTICE.