

# **SPEAKMAN COMPANY**

## **S-2505 Installation, Maintenance & Operation Instructions**

### **FLANGED SHOWER ARM**

#### **DESCRIPTION**

Speakman polished chrome plated brass 30° flanged shower arm. Drilled for, but less mounting screws.

#### **SPECIFICATIONS**

½" NPT FEMALE INLET  
½" NPT MALE OUTLET  
SHIPPING WEIGHT: 0.7 LBS.

#### **OPTIONS**

◇ PBL: Polished Brass Lacquer Finish

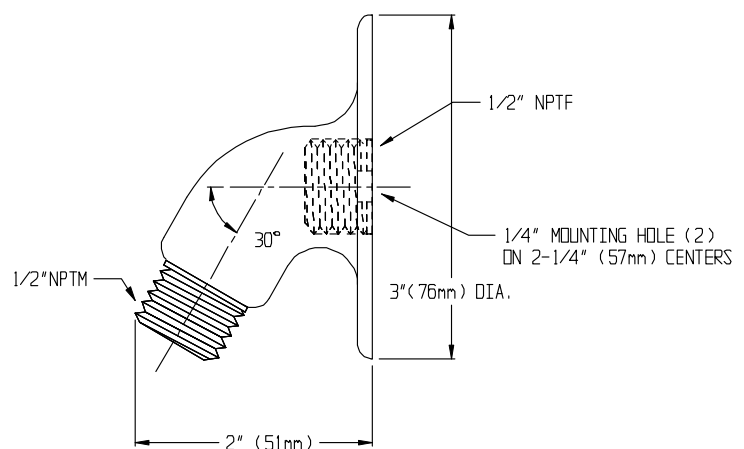
#### **INSTALLATION**

Apply pipe thread tape in a clockwise direction to threads of supply nipple. Pipe joint compound may be used instead of tape. Turning in a clockwise direction, thread the shower arm on to the supply nipple. Tighten & position with a strap wrench or a pair of soft jaw pliers. Mark and drill holes for mounting screws (not provided). Note: If necessary, remove shower arm and use proper screw anchors (2) (not provided). Turn the water supply on and check for leaks. Tighten mounting screws (2).

#### **MAINTENANCE**

The gleaming finish of your SPEAKMAN S-2505 shower arm can be cleaned by using mild soap and warm water. Dry immediately with a soft, clean cloth for best results.

#### **ROUGH-IN MEASUREMENTS**



Product improvements may cause specification and dimensional changes without notice.

**SPEAKMAN®**

PO Box 191 Wilmington, DE 19899 Phone: 800-537-2107 Fax: 800-977-2747  
Visit us on the web at [www.speakmancompany.com](http://www.speakmancompany.com)

09/07  
REV 1  
92-1811