

Rainier™ Shower Arm and Flange

FEATURES:

- Arm measures 5-5/8" in length
- Stainless steel arm and metal flange construction
- 1/2" -14 NPTM connections
- Corrosion resistant finishes
- Wall-mounted installation
- Coordinates with Rainier Collection

STOCK FINISHES:



PC MB

SPECIALTY FINISHES:

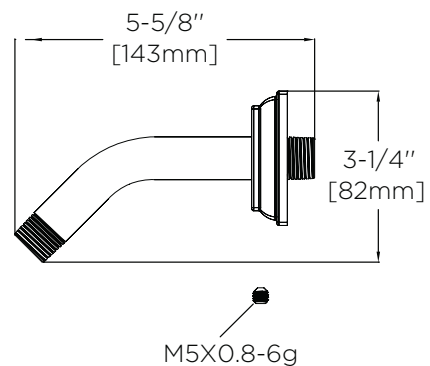
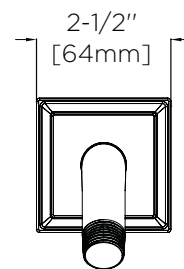


BN

WARRANTY:

Visit www.speakman.com for full product warranty information

- Limited Lifetime Warranty (consumer)
- 1 Year Limited Warranty (commercial)



All dimensions are in inches (millimeters) unless otherwise specified and are subject to change without notice.

Architect/Engineer Approval Space:

P: 800-537-2107
F: 800-977-2747
W: WWW.SPEAKMAN.COM
R: 03-AUGUST 2021