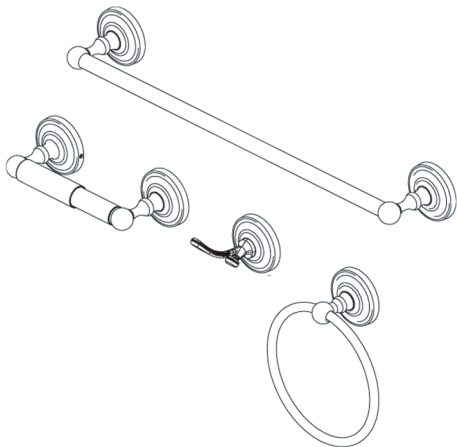


Instructions for Models:

SA-1404
SA-1405
SA-1406
SA-1407



Need Help?

For additional assistance or service call:

SPEAKMAN Company
400 Anchor Mill Road
New Castle, DE 19720

PHONE: 800-537-2107
EMAIL: customerservice@speakmancompany.com
WEB: www.speakmancompany.com

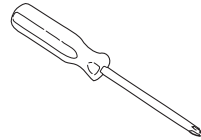
92-SA-140X-R2

What You Need To Know:

Tools:

Required:

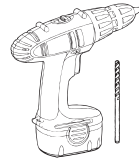
*Phillips Screwdriver



*Small Flat Tip Screwdriver



*Drill with 1/4" bit

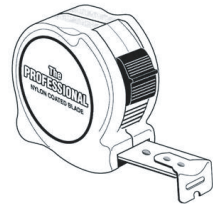


*Pencil

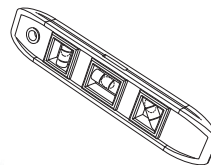


Helpful:

*Tape Measure



*Level



Important Notes:

Be sure to read instructions thoroughly before beginning installation. Do not overtighten any connections or damage may occur.

Instruction images shown are for reference only and apply to all models numbers shown.

Safety Tips:

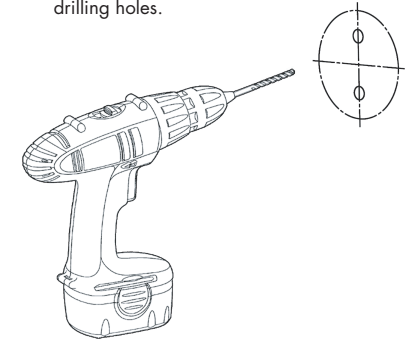
This item is **NOT** designed for use as a grab bar. Do not mount in locations where product is likely to be used as a grab bar.

Maintenance:

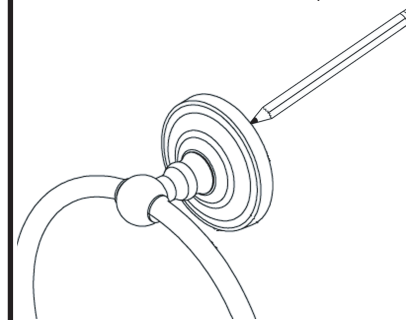
Clean with a soft, damp cloth only. Do not use scrub pads, detergents or cleansers as they may harm the protective finish of your bath accessories.



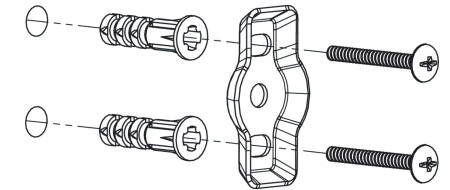
Drill 1/4" holes in marked locations. If mounting directly into stud or wood wall, secure Mounting Bracket to wall using Mounting Screws without drilling holes.



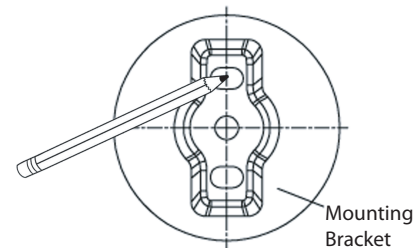
Loosen set screw at base of each post and remove brackets (if necessary). Determine mounting location of component and lightly trace outline on wall with a pencil.



Insert Plastic Anchors into drilled holes and press in until flush with wall. Secure Mounting Brackets to wall with Mounting Screws using Phillips Screwdriver.



Center Mounting Bracket within traced outline. Mark the 2 mounting locations with a pencil.



Locate post over Mounting Bracket and tighten Set Screw with Small Flat Tip Screwdriver. Repeat steps 1 thru 5 for remaining items.

