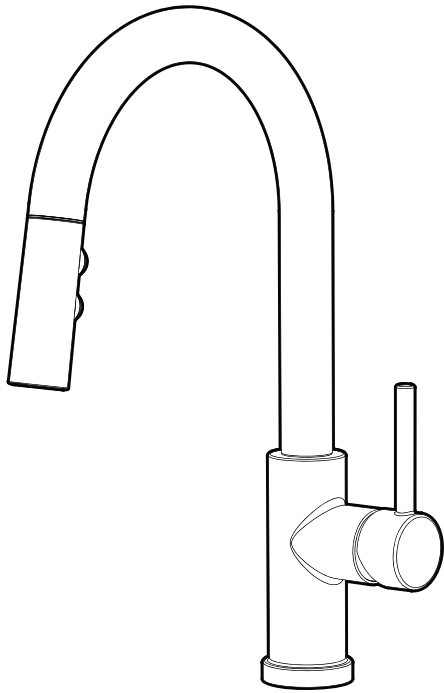


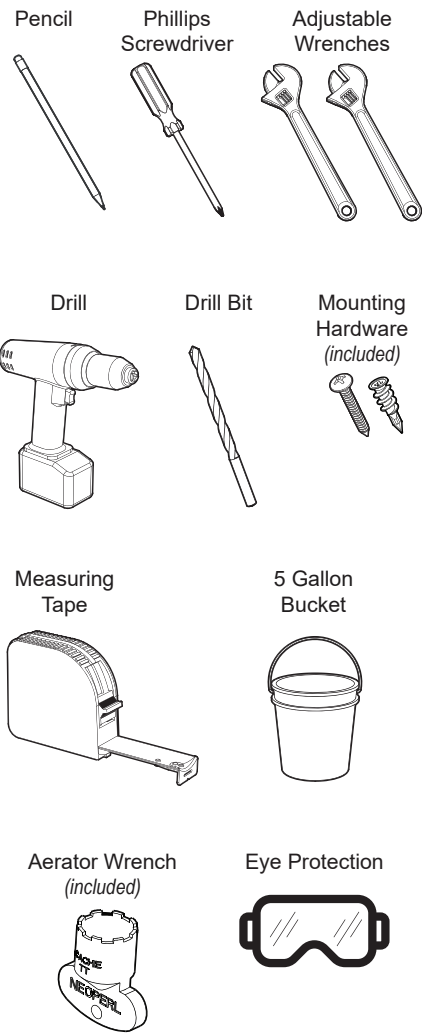
INSTALLATION INSTRUCTIONS

SBS-1042 Sensor Kitchen Faucet



92-SBS-1042-03

TOOLS & SUPPLIES NEEDED



IMPORTANT

SAFETY TIPS:

Be sure to read and understand all instructions before beginning installation.
Inspect all connections after installation.
Cover the drain to avoid loss of parts.
Be sure to wear proper eye protection.

MAINTENANCE:

Your new product is designed for years of trouble-free performance. Keep it looking new by cleaning it periodically with a soft cloth. Avoid abrasive cleaners, steel wool, and harsh chemicals as these will dull the finish and void your warranty.

See Maintenance section of this document for additional information.

NOTE:

This installation manual covers several models of Faucets. While the appearance of your product may differ from those shown, the installation method is the same.

NEED HELP?

For additional assistance or service please contact:



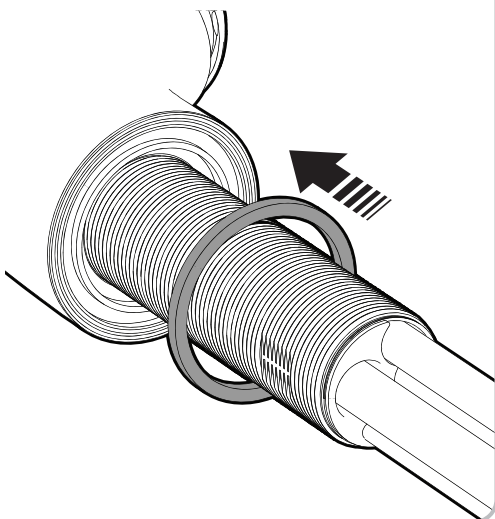
800-537-2107



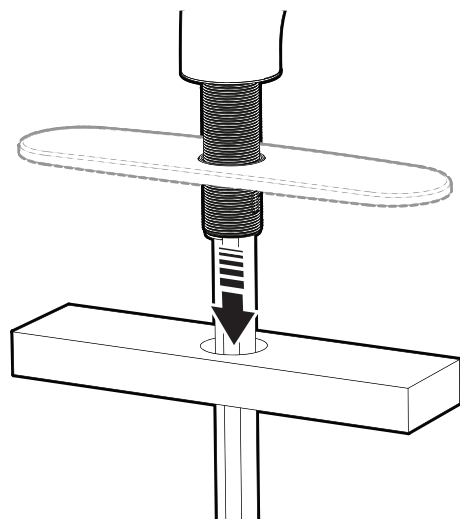
www.speakman.com

MOUNTING THE FAUCET

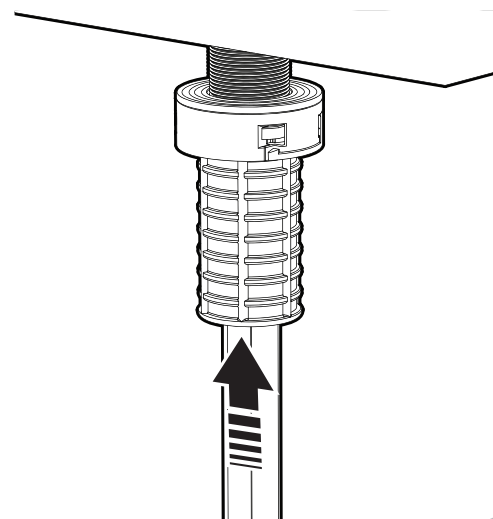
- 1** Verify the Rubber Washer is seated in the base of the Faucet. If not, place the Rubber Washer over hoses and align to base of Faucet.



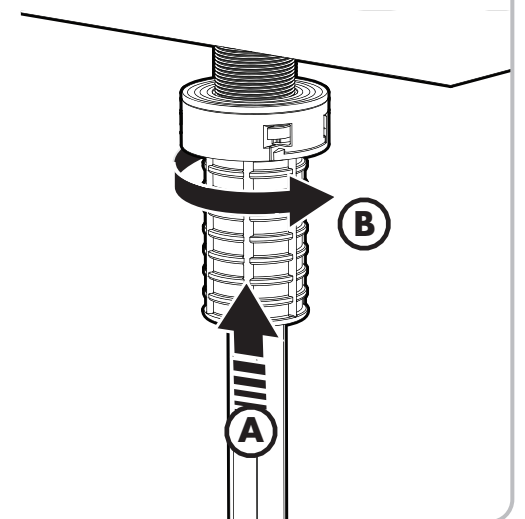
- 2** Place Hoses and Wiring, one at a time through the mounting deck. If installing an optional Deck Plate, position Hoses and Wiring through the Deck Plate first.



- 3** From below, slide Easy Mount Nut over Hoses and Wiring. Position Easy Mount Nut on to the Faucet Shank

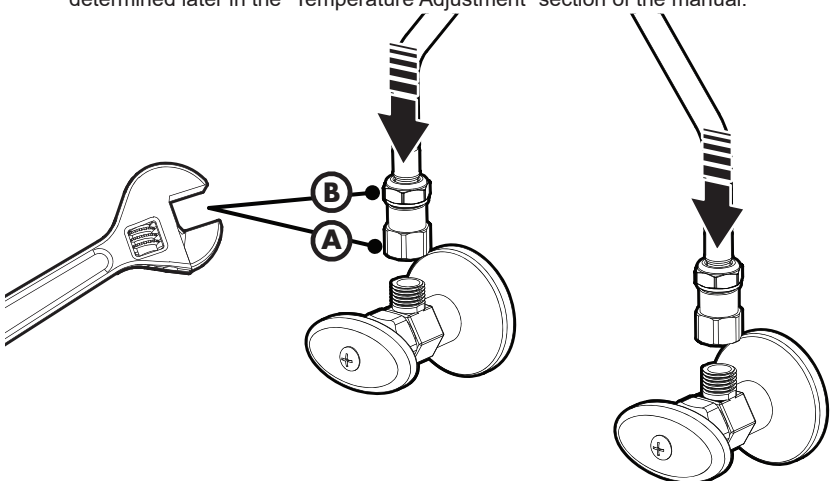


- 4** Push upward on the Easy Mount Nut until it makes contact with the underside of the mounting surface (A). Rotate and hand tighten into position (B).



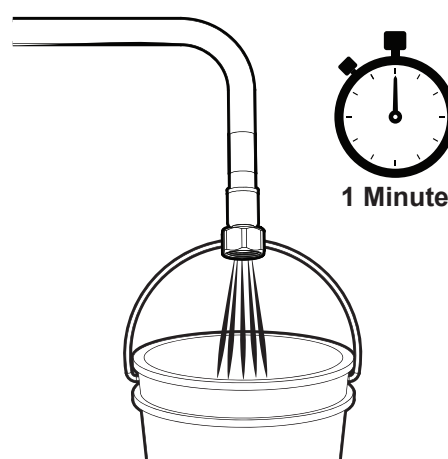
CONNECTION TO WATER SUPPLY

- 5** Locate the 2 Inlet Hoses that contain Inlet Adapters. Make connections to existing HOT and COLD Supply Stops. The Inlet Hoses are 9/16"-24 UNF and will accept a 3/8" Compression Fitting. First loosen connection between Adapter (A) and Hose End (B) so each can rotate. Wrench tighten Adapters to Supply Stops then wrench tighten Hose Ends to the Adapters. The Hoses are interchangeable for HOT and COLD connections. Desired connection can be determined later in the "Temperature Adjustment" section of the manual.



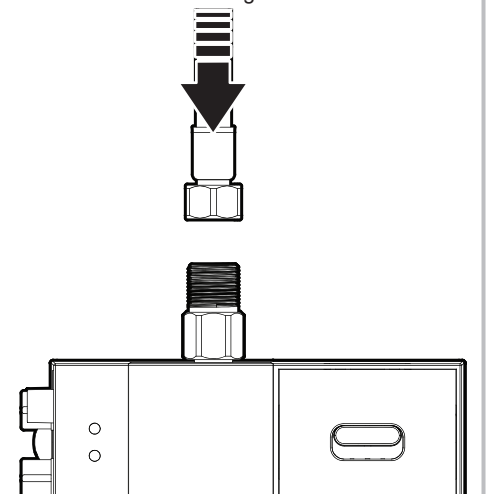
FLUSH SYSTEM

- 6** Locate the remaining Hose that has a female end as shown below. Place this Hose into a bucket. Turn on HOT and COLD water supplies. Open Faucet Handle and allow water to run from the Hose and into the bucket for 1 minute.



CONNECT HOSE TO SOLENOID

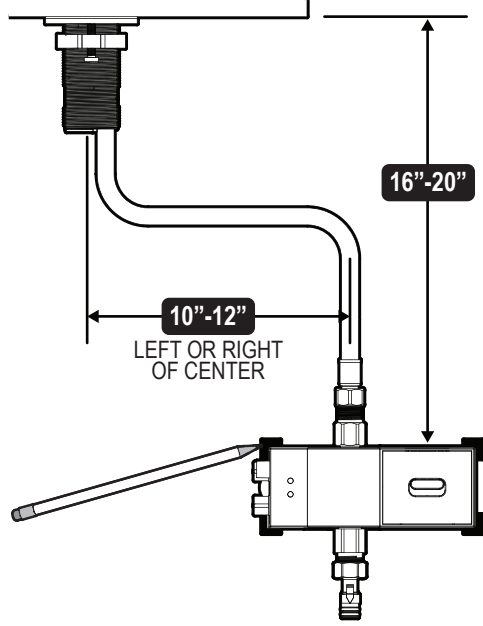
- 7** Turn OFF water supplies. Assemble the previously flushed Hose to the Inlet of the Solenoid. Wrench tighten connection.



DRY CONNECTION ONLY!
DO NOT USE ANY THREAD SEALANT ON THIS CONNECTION

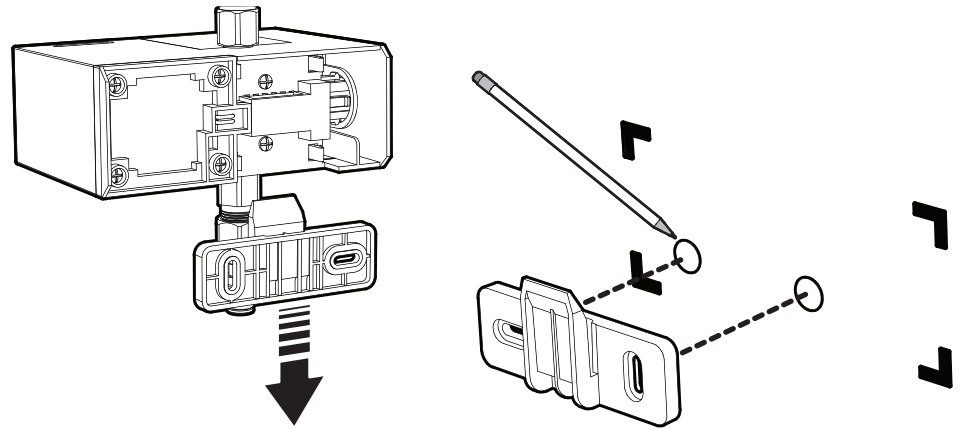
DETERMINE MOUNTING LOCATION OF SOLENOID

- 8** Place the Solenoid Assembly against the desired mounting surface while ensuring adequate clearance for servicing of all connections. If using the optional AC Adapter, consider the distance to the nearest electrical outlet. Solenoid Assembly should be mounted so the inlet and outlet ports are aligned vertically. Mark location of Solenoid Assembly on the mounting surface using a pencil, following the dimensions shown.



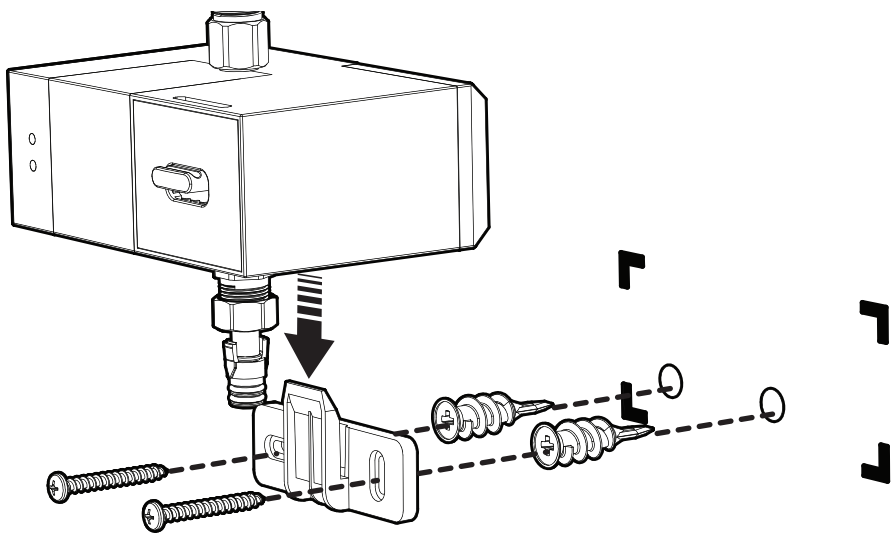
DETERMINE MOUNTING LOCATION OF SOLENOID (CONTINUED)

- 9** Remove Mounting Bracket from Solenoid Assembly. Using the previously marked location on mounting surface, align Mounting Bracket horizontally to approximate position and mark the mounting locations with a pencil. If mounting on drywall and not to stud, use appropriate anchors and fasteners for application. Recommend included screw in easy anchor or equal for drywall.



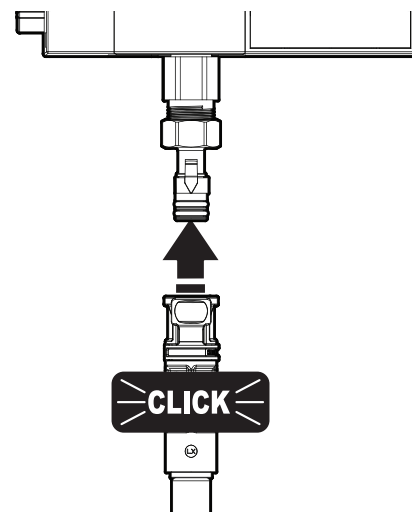
MOUNTING SOLENOID

- 10** After securing the Bracket to the mounting surface, align and slide Solenoid Assembly over Mounting Bracket.



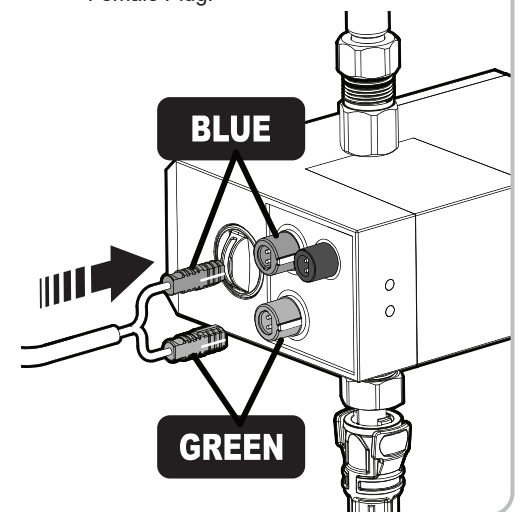
CONNECT HOSE TO SOLENOID

- 11** Connect the Spray-head hose to the outlet of the Solenoid. This is a push-to-connect connection. Make sure to push the Hose completely onto the Solenoid outlet fitting.



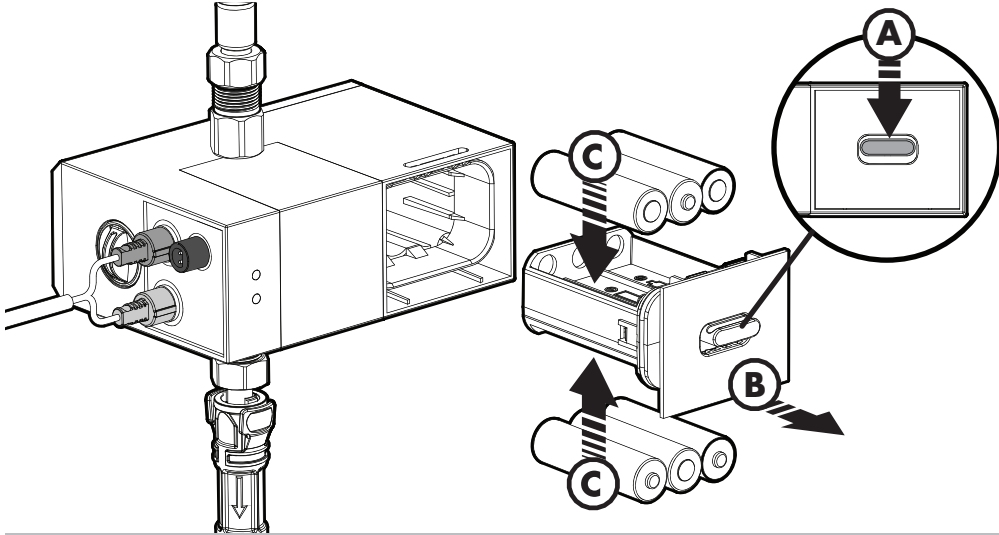
CONNECT SENSOR TO SOLENOID

- 12** Plug in Sensor Eye to Solenoid. Match up the colors. Blue to Blue, Green to Green. Ensure the White Stripe on the Male Plug is aligned to the White Stripe on the Female Plug.



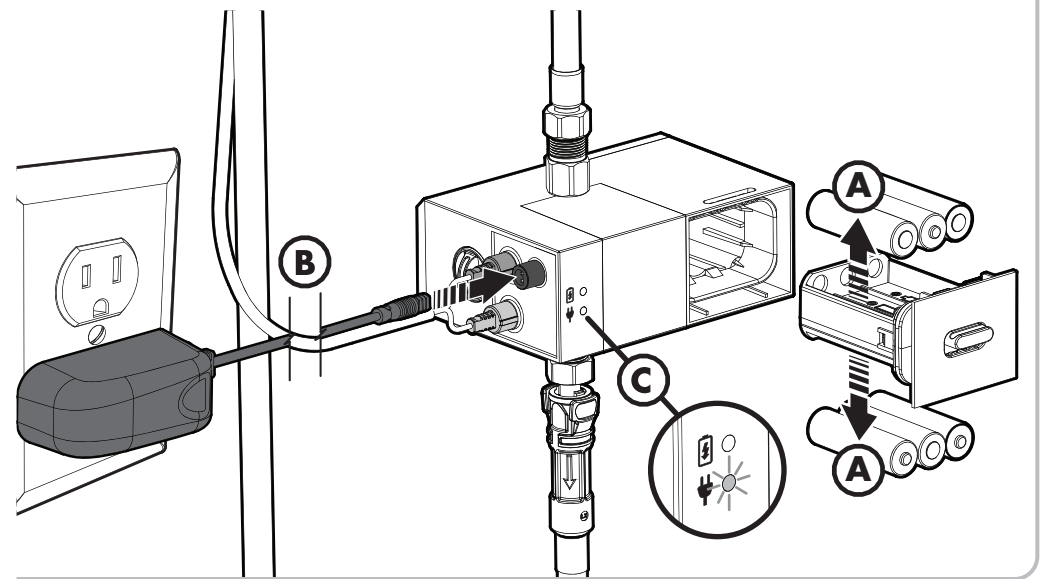
INSTALL BATTERIES

- 13** Access the Interior Battery Enclosure by pressing down on the tab to release the tray holding the batteries (A). Pull out Battery Tray (B). Insert or replace the batteries with six (6) new standard 1.5v AA batteries (C). Ensure the position of the new batteries are aligned to the plus (+) and minus (-) symbols within the battery holder.



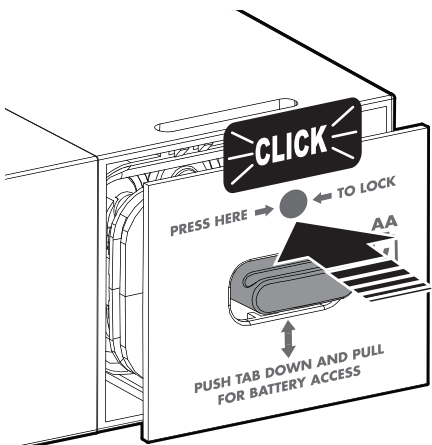
IF CONVERTING TO AC POWER (NON INCLUDED OPTION)

- 14** Verify that no batteries are present within the battery enclosure (A). Connect the AC Adapter to the Solenoid Body (B). Plug the AC Adapter into the wall outlet. The AC light (C) should illuminate.



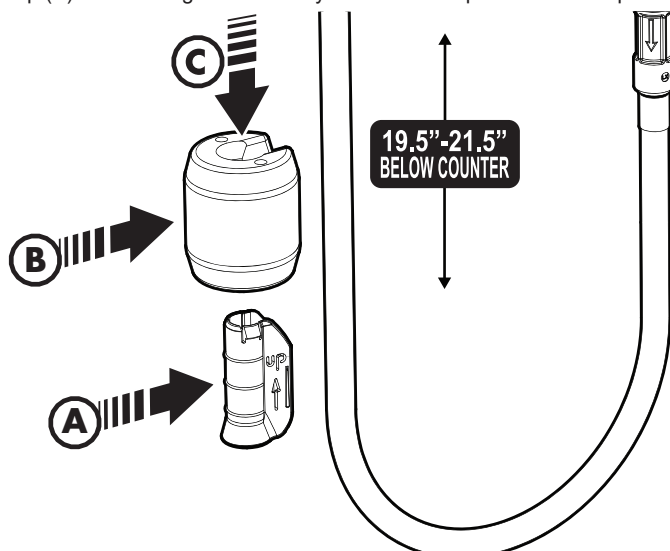
SECURE BATTERY TRAY

- 15** Reinstall the Battery Tray. Make sure to press the indicated location until the battery door is fully seated and locks into position.



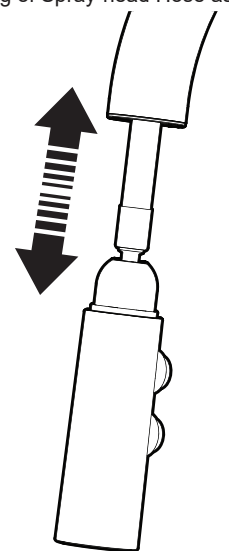
INSTALL WEIGHT

- 16** Position the Hose Clip above the bottom of the Hose loop (recommended height is 19.5" to 21.5" below counter) and snap over Hose (A). Position Weight over Hose and slide down on to Hose Clip (B). Press Weight down firmly on to Hose Clip to secure into position.



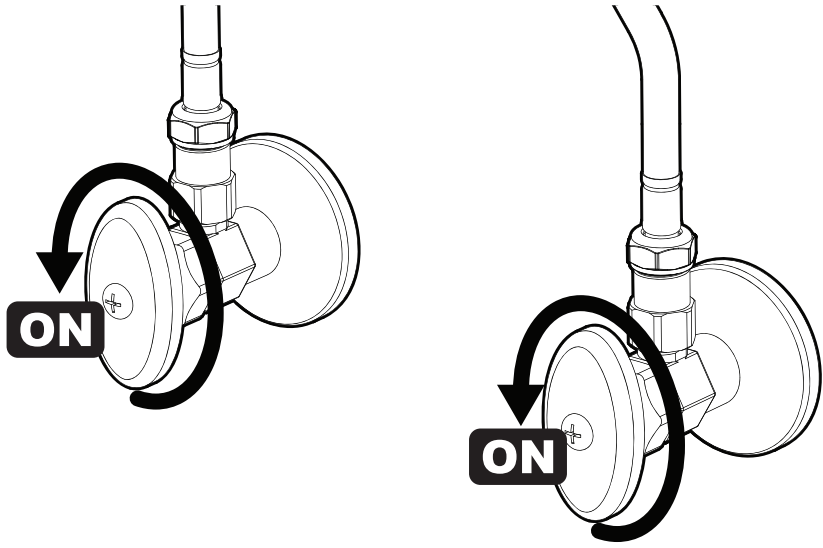
VERIFY PULL DOWN OPERATION

- 17** Pull down Spray-head and check for smooth operation. Adjust weight and routing of Spray-head Hose as needed.



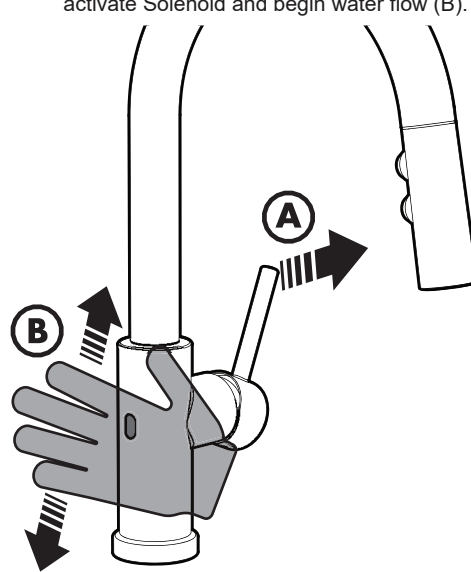
TURN ON WATER SUPPLIES

- 18** Inspect all Hoses for any possible kinks. Turn "ON" water supplies. Inspect for leaks. Adjust connections as necessary.



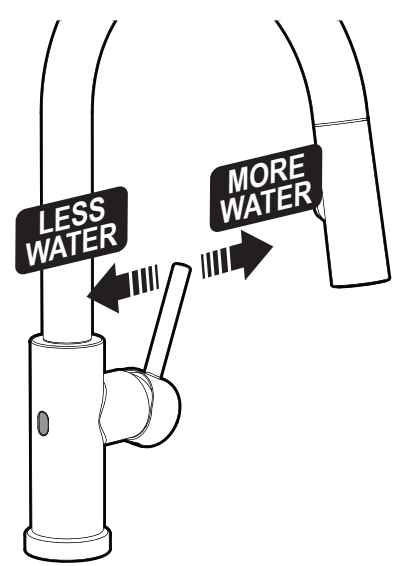
TO ACTIVATE WATER FLOW

- 19** Adjust Handle to the open position (A). Wave Hand over Sensor Eye once to activate Solenoid and begin water flow (B).



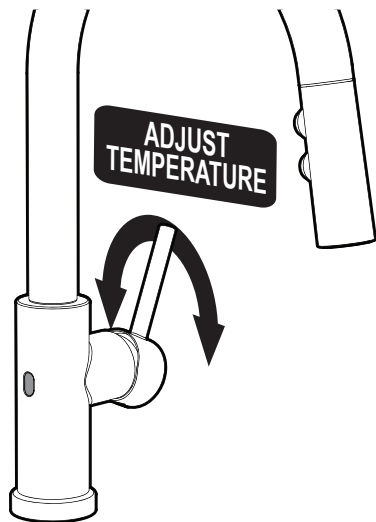
TO ADJUST FLOW

- 20** To adjust the amount of water exiting the Faucet, tilt the Handle inward or outward.



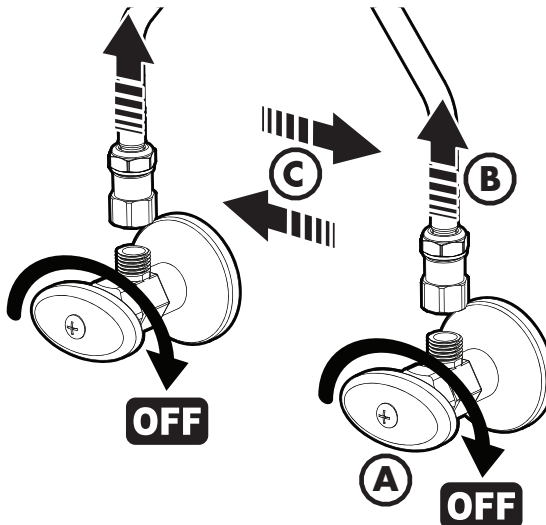
TO ADJUST TEMPERATURE

- 21** To adjust the temperature of water exiting the Faucet, place Handle in the open position, and rotate the Handle forward or rearward.



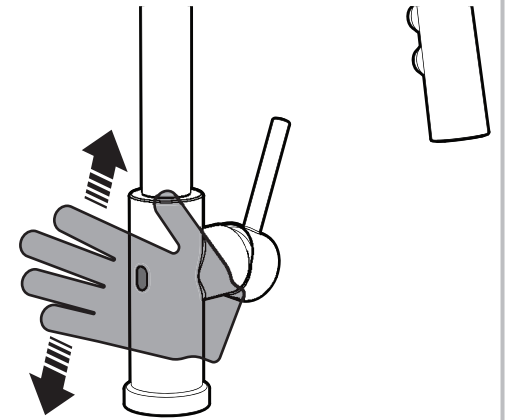
REVERSAL OF TEMPERATURE ADJUSTMENT

- 22** This Faucet has the ability for the user to choose the temperature adjustment direction of the Handle. If the installed temperature adjustment direction of the Handle is opposite from your preference (Cold when handle is rotated forward, Hot when rotated rearward, or vice versa). Turn OFF the water supplies and reverse the Inlet Hose connections.



DAILY OPERATION

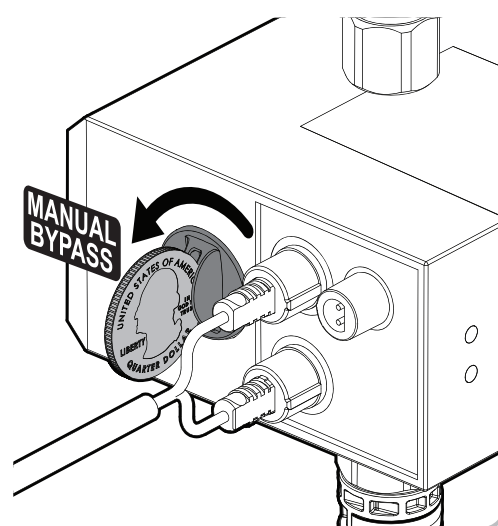
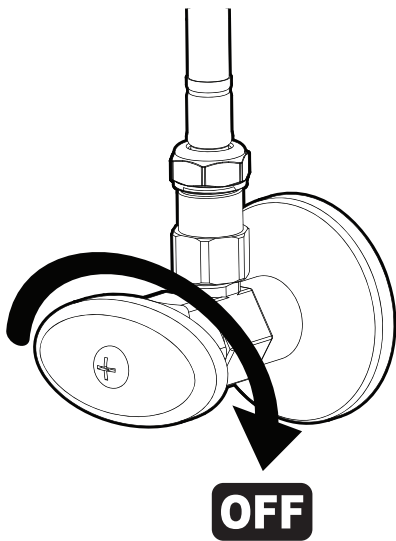
- 23** Place Handle in the "OPEN" position. Activate Faucet and adjust flow and temperature to desired settings. Wave Hand across Sensor Eye again to turn off Faucet. Leave Handle in the set position for next use.



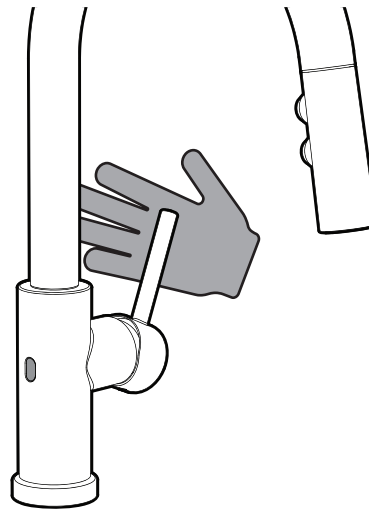
NOTE: SENSOR FAUCET WILL ONLY OPERATE WITH THE HANDLE IN THE "OPEN" POSITION.

MANUAL BYPASS

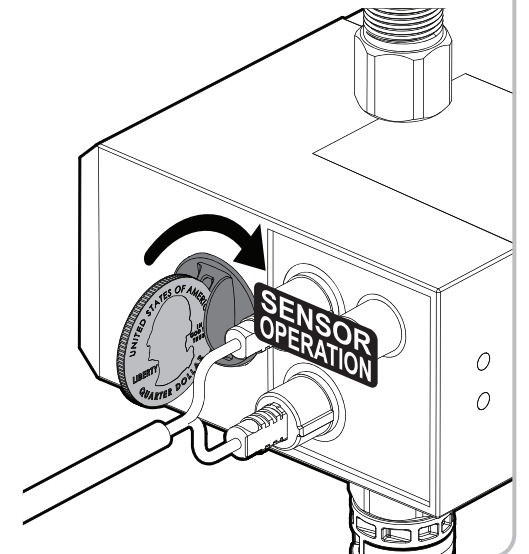
- 1** In the unlikely event of the Sensor or Solenoid not working properly, a Manual Bypass switch is located on the Solenoid Box. To bypass the Solenoid control, simply turn off water supply and rotate the dial with a coin counterclockwise until it stops.



- 2** When Manual Bypass is engaged, the Faucet will operate like a standard non-sensor Faucet. Use the Handle to operate.



- 3** To disable the Manual Bypass, turn the switch dial clockwise when the water supply is shut off.



TROUBLESHOOTING

If water flow from the Faucet decreases:

- 1) Make sure the supply stops and the handle are fully open.
- 2) Remove the Aerator from the spout using the outlet wrench. Operate the Faucet with outlet device removed. If water flow is acceptable, disassemble the outlet device and rinse components with clean water.

If no water flows from the Faucet, and if you can hear a clicking sound of Solenoid opening, but no water flows:

- 1) Verify that the HOT and COLD wall stops and the handle are completely open.
- 2) If the Battery Light within the Sensor Eye or Solenoid blinks continuously, even when the Faucet is not in use, the batteries within the Solenoid have low voltage and need replacement.
- 3) Verify that the In-Line Filter in the Solenoid is not blocked by debris. Clean filter if needed.

If you do not hear a clicking sound of Solenoid opening and no water flows:

- 1) Verify that there is no object within 2.5" (65mm) of the sensor window. If the Battery Light within the Sensor Eye blinks continuously, even when the Faucet is not in use, the batteries within the Solenoid have low voltage and need replacement.
- 2) Unplug connections to Solenoid for 2 minutes. Plug connections back in. The red light on the Sensor should turn on for several seconds before becoming operational. If not, check power supplies and connections.
- 3) Disconnect the existing Solenoid Assembly and connect a new Solenoid Assembly. Activate the Sensor and check for water flow. If the water flows, the existing Solenoid Assembly should be replaced.

If the batteries have been replaced, but the Faucet still does not operate:

- 1) Check the battery polarity and electrical connections. Make sure all electrical connections are fully inserted.
- 2) If the Faucet does not operate, replace the existing Solenoid Assembly with one you know to be functioning.

If the water will not shut off:

- 1) Verify that the manual bypass located on the solenoid assembly is switched off
- 2) Let the faucet run for 240 seconds and the solenoid should automatically close.
- 3) If it is a new installation and still not working, replace the Solenoid Assembly.

QUESTIONS AND ANSWERS

Q. How does the Sensorflo® Faucet work?

A. It uses laser technology. The Sensor emits a non-visible beam of light.

Q. Is the Sensorflo® Faucet sensor beam adjustable?

A. No, the Sensorflo® Faucet sensor beam is not adjustable. It has been factory set to factory specifications for these Faucets.

Q. The finish on my Faucet seems to be deteriorating. What can I do to prevent this from happening?

A. Many commercial cleaning products contain harsh chemicals and abrasives. These products should not be used on any chrome-plated plumbing products. Please use only mild soap and water to clean the Faucet. Dry immediately with a soft cloth.

Q. Is my Faucet protected from power surges?

A. Yes, Sensorflo® has been designed to have built-in power surge protection.

Q. If we lose power, do I have to do something to get the Faucet to operate again?

A. After a power outage, the Faucet is automatically ready for operation as soon as the power comes back on.

Q. If I call a plumber to come and install this Faucet, will they know enough to hook it up?

A. Our installation diagrams are very easy to follow.

MAINTENANCE

- 1) Your SENSORFLO® Faucet is designed and engineered in accordance with the highest quality and performance standards. With proper care, it will provide years of hygienic and trouble-free service.
- 2) Periodically, the Faucet will require some minor maintenance to keep it at peak performance. There are 2 low battery indicator lights. One located on the Sensor on the Faucet body and the other located on the Solenoid Box. When the low battery light on the Sensor blinks, it indicates that the battery is low. However, the Solenoid can still function at this point. When the low battery light on the Solenoid blinks, the Solenoid will stop functioning at this point and the batteries need to be replaced immediately. To replace the batteries, follow the installation instructions in the electrical connections section of this document.
- 3) Periodically clean the In-Line Filter.
- 4) The finish of your Faucet should be cleaned using mild soap and warm water.
- 5) Dry immediately with a soft, clean cloth for best results.
- 6) NEVER use abrasive cleaners, chemicals, alcohol or other solvents. They may damage the surfaces of the non-chrome plated finishes.

PRODUCT WARRANTY

With exception of items listed below, this product has a limited warranty against defects in materials or workmanship for the period listed below from the date of purchase.

Consumer/Residential: Limited Lifetime Warranty
Commercial Use: 5 Year Limited Warranty

Warranty is limited to replacement of defective components or units.
 Associated replacement or repair labor costs are NOT included. This warranty only pertains to single dwelling residential use. Products used for other than single dwelling residential use are covered by a 5 year limited warranty from the date of purchase.

CALIFORNIA PROPOSITION 65

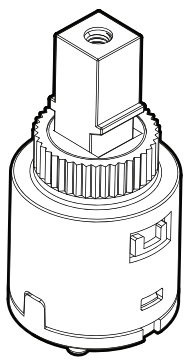


CALIFORNIA PROPOSITION 65:

WARNING: This product can expose you to chemicals including lead, which is known to the State of California to cause cancer and birth defects or other reproductive harm. For more information go to www.P65Warnings.ca.gov.

Wash hands after installation, repair, or removal of this product.

REPAIR PARTS



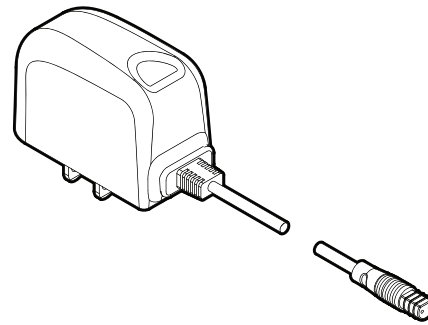
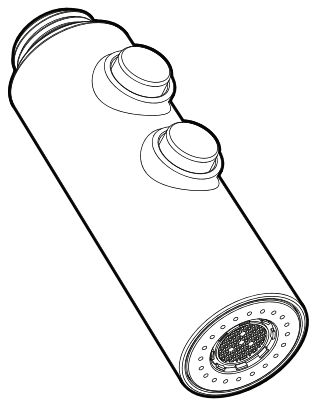
RPG05-108762
CARTRIDGE

RPG05-112989
SPRAY HEAD ASSEMBLY
(POLISHED CHROME)

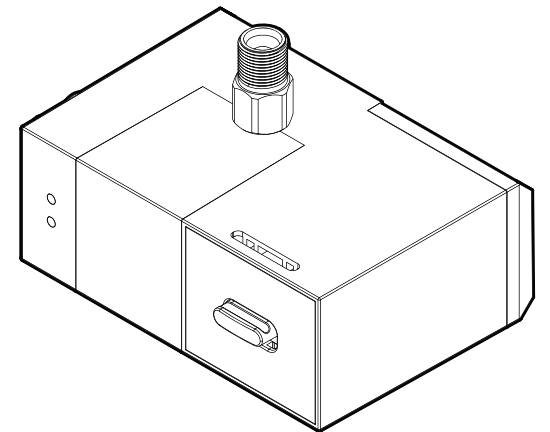
RPG05-112989-SS
SPRAY HEAD ASSEMBLY
(STAINLESS STEEL)

RPG05-112989-MB
SPRAY HEAD ASSEMBLY
(MATTE BLACK)

RPG05-112989-AB
SPRAY HEAD ASSEMBLY
(AGED BRASS)



RPG76-107259
A/C CONVERSION KIT
(120VAC TO 6VDC)



RPG76-115361
REPLACEMENT SOLENOID

ROUGH-IN DIAGRAM

COMPLIANCE

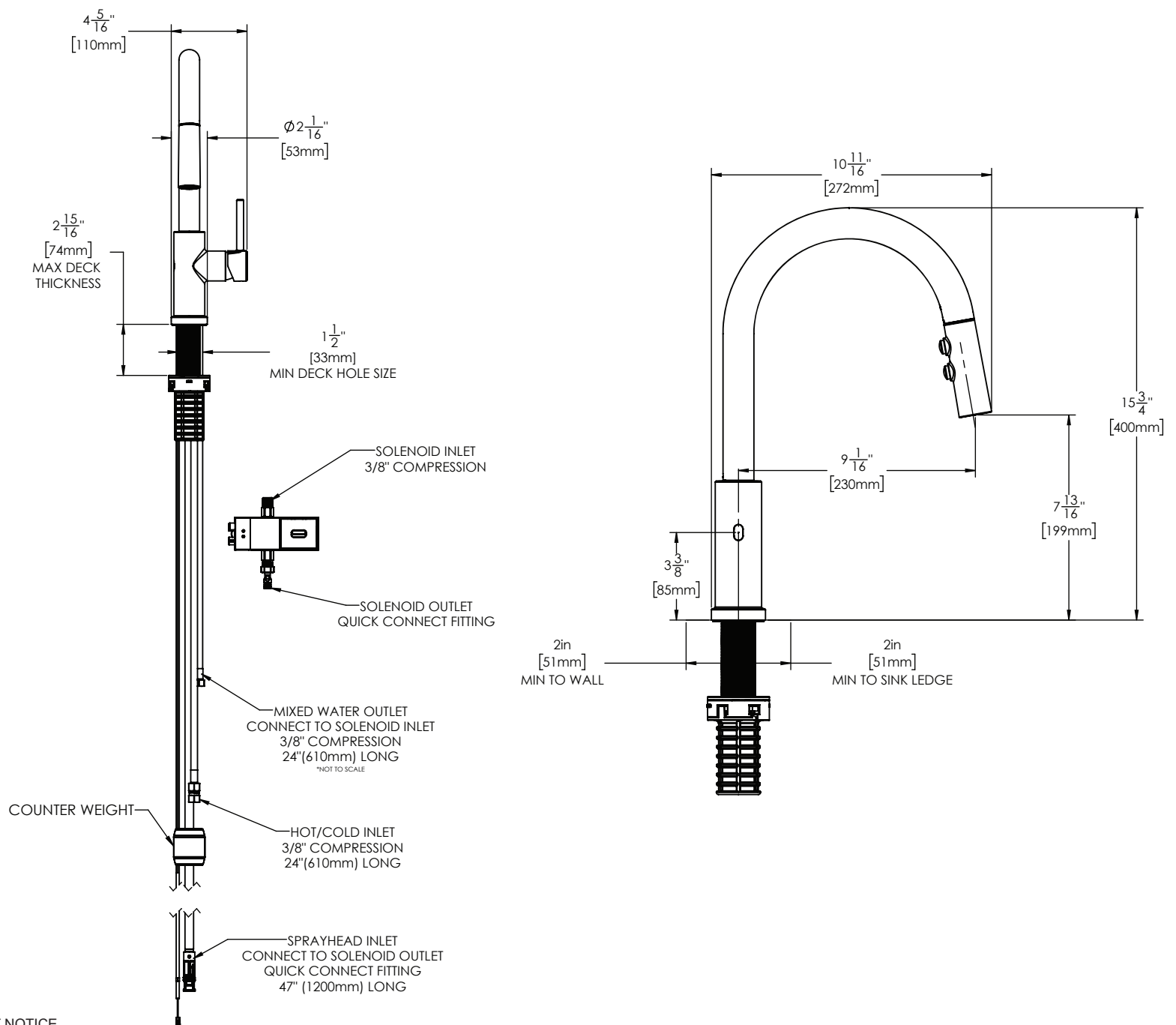
ASME A112.18.1
 CSA B125.1
 NSF/ANSI 61/372
 CEC

CONNECTIONS

3/8" Compression Inlets
 (9/16"-24 UNF)

FLOW

1.8 gpm (6.8 L/min)



DIMENSIONS SUBJECT TO CHANGE WITHOUT NOTICE.