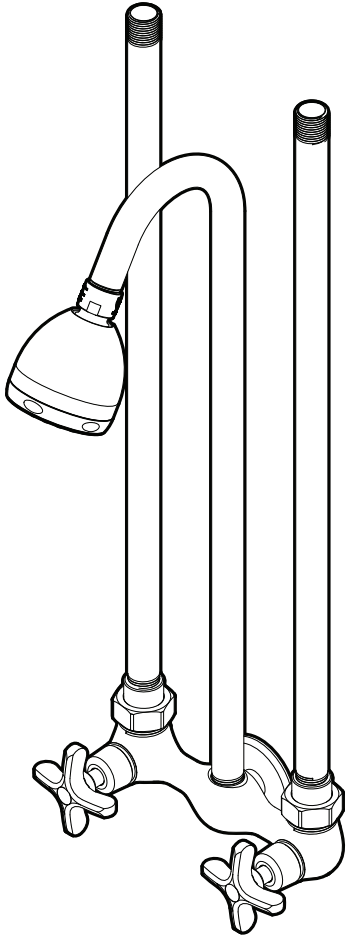
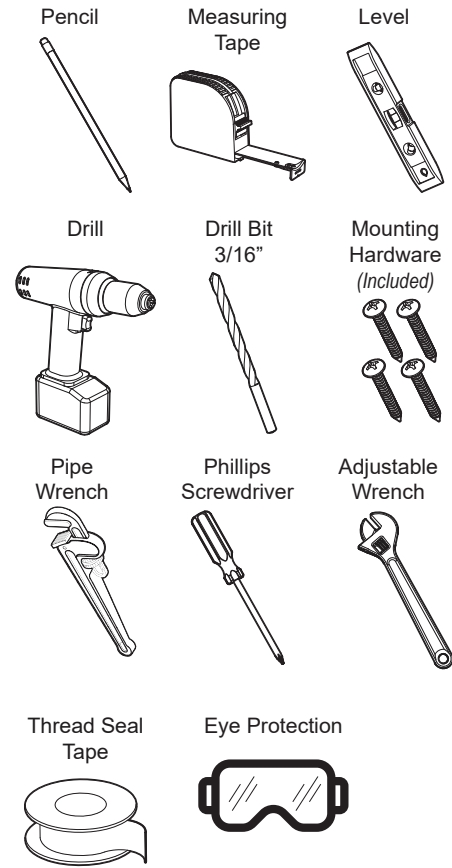


INSTALLATION INSTRUCTIONS

SC-1210-AF Commander® Exposed Shower System



TOOLS & SUPPLIES NEEDED



IMPORTANT

SAFETY TIPS:

Be sure to read and understand all instructions before beginning installation.
Inspect all connections after installation.
Cover the drain to avoid loss of parts.
Be sure to wear proper eye protection.
Do NOT over tighten any connections or damage may occur.
Shut OFF water supplies before beginning installation.
Observe all local plumbing and building codes.
Ensure proper structure is in place to support the Valve and plumbing during use.

VALVE SPECIFICATIONS:

This product does not include a balance pressure or thermostatic valve. Sudden water temperature changes may be experienced if there are sudden changes to the water's supply pressure or temperature.

IMPORTANT: Shut off water supplies.

Supplies must be on 6" centers.
Recommended height from center of valve body to floor is 54". Valve body is reversible to take supplies from below.

CAUTION

Freeze damage to the shower unit will void the warranty. It is important to properly winterize the complete shower unit. The unit MUST be drained of all water in freezing conditions. This includes removing the Valve Cartridge(s) and the Shower Head from the unit. Store Valve Cartridge(s) and Shower Head indoors.

CAUTION: When outdoor temperature rises above 90 degrees, use caution to prevent scalding from water stored within the unit. It is recommended to flush the unit by turning it on for 30 seconds before entering the shower water. This will avoid accidental scalding by the user and ensure safe use of the shower unit.

MAINTENANCE

The shower valves are washer-less and require no routine maintenance.

Your new product is designed for years of trouble-free performance. Keep it looking new by cleaning it periodically with a soft cloth. Avoid abrasive cleaners, steel wool, and harsh chemicals as these will dull the finish and void your warranty.

To remove the index button on the vandal resistant handles, locate knockout hole on handle underneath one of the arms of the handle. Insert a rigid pin (1/8" diameter or smaller) into hole and knockout index button.

NEED HELP?

For additional assistance or service please contact:



800-537-2107

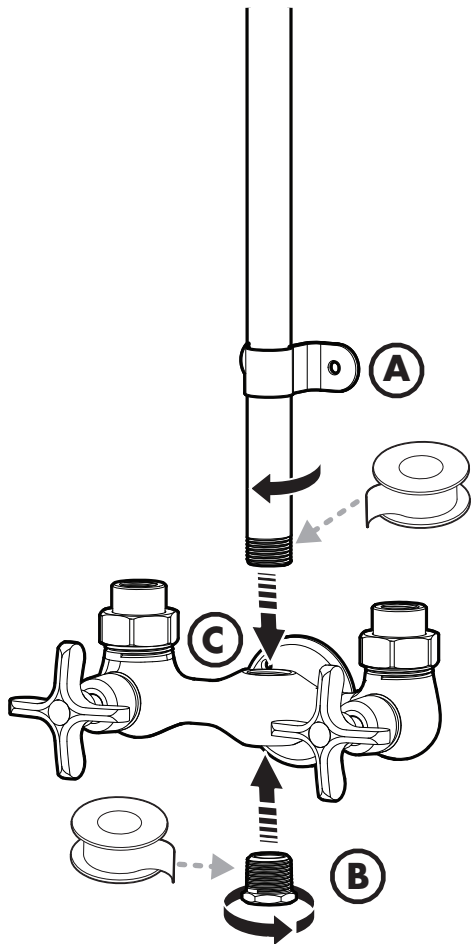


www.speakman.com

92-SC-1210-AF-02

PRODUCT PREPARATION

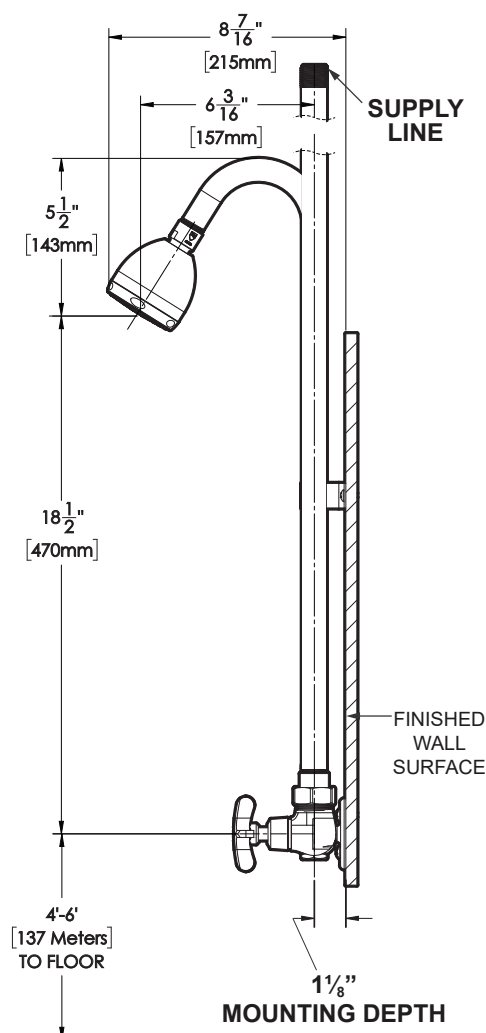
- Slide the Strap (A) onto the Shower Arm. Then apply sealant to inlet threads of Shower Arm and the Plug (B). Screw the Shower Arm into the Valve Body (C). Tighten and position outlet perpendicular with Valve Body. Use Adjustable Wrench to tighten the Plug (B) into the Valve Body (C).



NOTE: If water supplies are entering from below, rotate the Valve Body 180° before installing Shower Arm and Plug

ROUGH IN SUPPLY LINES

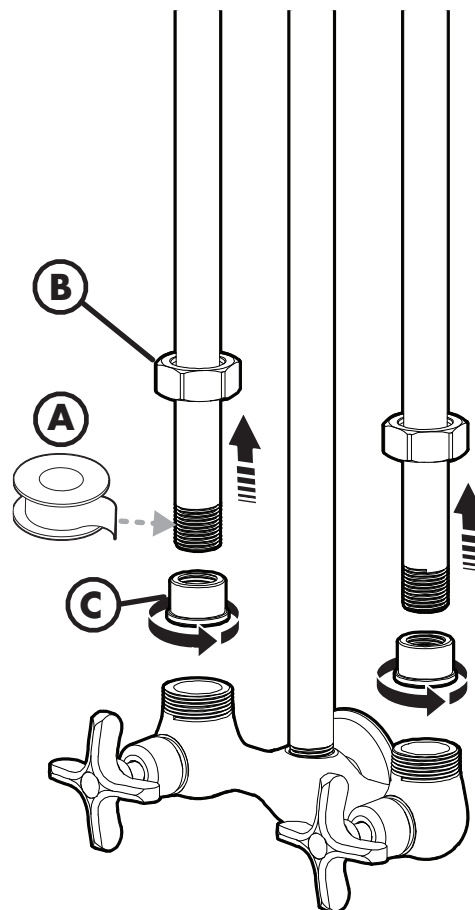
- Following the rough-in dimensions located at the end of this manual, install Supply Pipes at proper location. See images below for reference. Apply pipe sealant to one end of Supply Pipes (provided). Screw pipes into supply lines.



NOTE: Supply lines must have 1/2 NPT female threaded ends and be 1-1/8" from center of supply line to finished wall.

SUPPLY LINE ADAPTERS

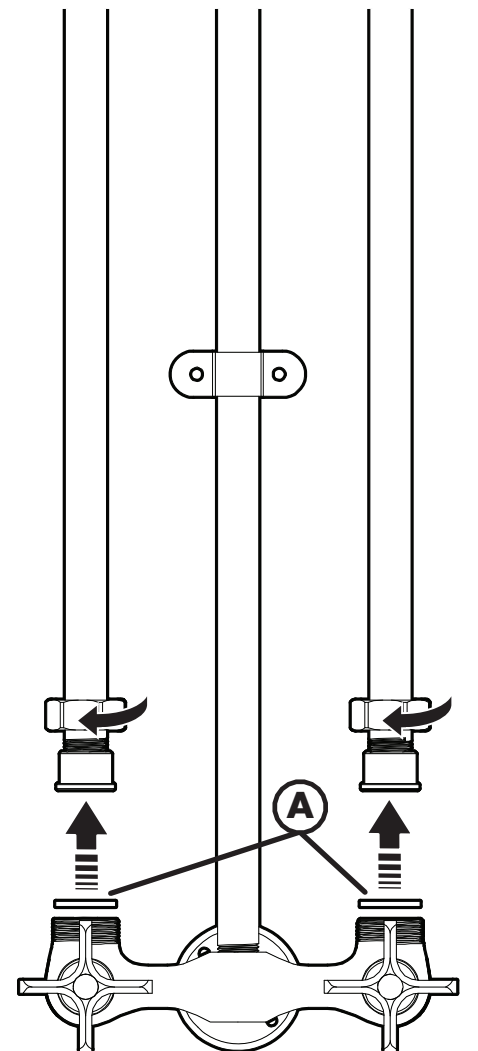
- Apply sealant to threads of Supply Lines (A). Slip Coupling Nuts (B) onto Supply Lines and screw Swivels (C) up hand tight. Gripping on small diameter of Swivels with a Pipe Wrench, tighten pipes and/or Swivels.



INSTALL VALVE TO INLETS

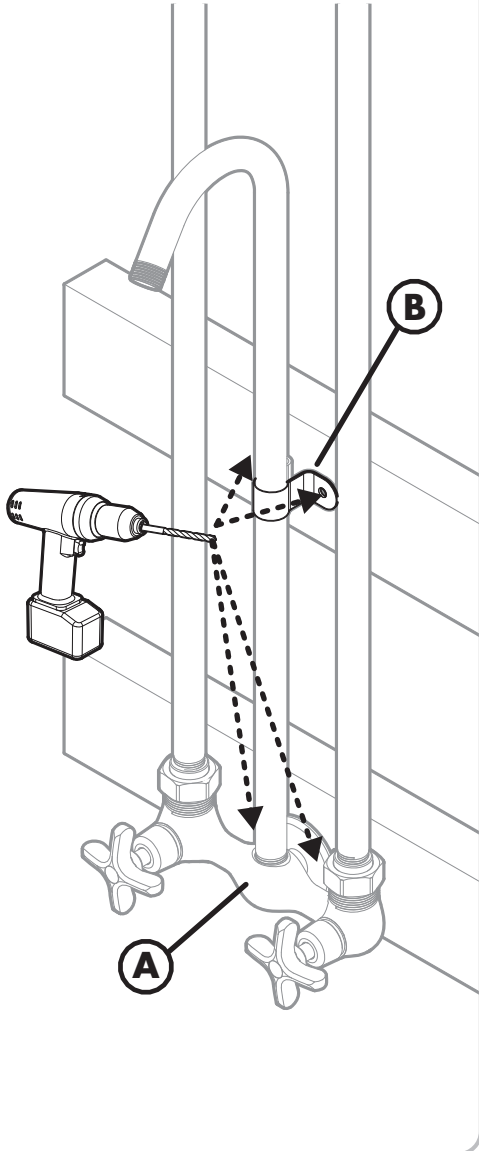
- Place Rubber Washers (A) on inlets of Valve Body and position body assembly up to Swivels and tighten Coupling Nuts.

NOTE: Shower Arm Strap location optional. Disconnect assembly from supply lines.



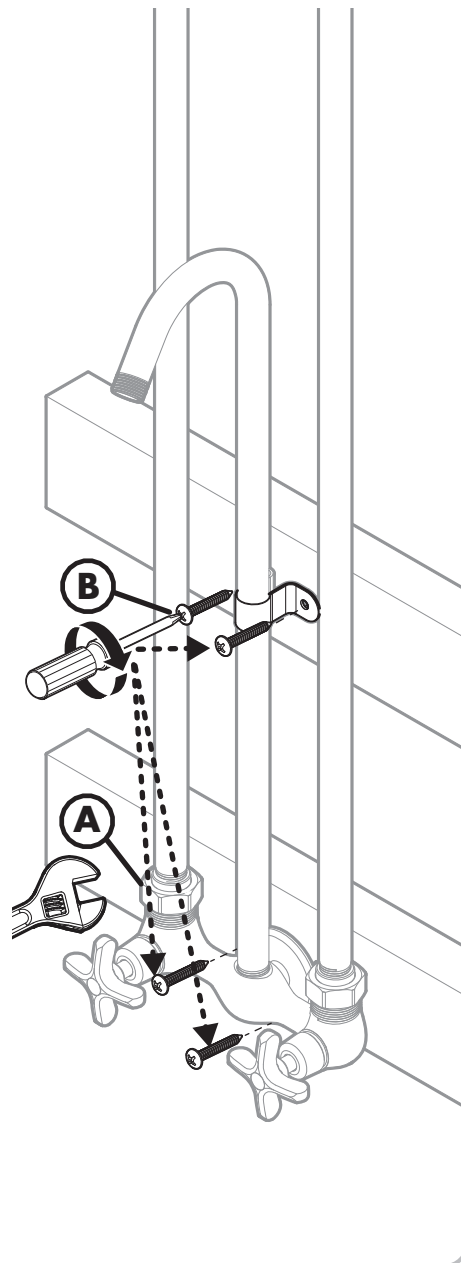
PRE-DRILL MOUNTING LOCATIONS

- 5** Verify that the mounting location and structure is capable of supporting the product in use.
Hold assembly up against wall and mark location of mounting holes for Valve Body (A) and Shower Arm Strap (B) referencing the rough-in diagram contained in this document.
Drill starter holes at marked locations.



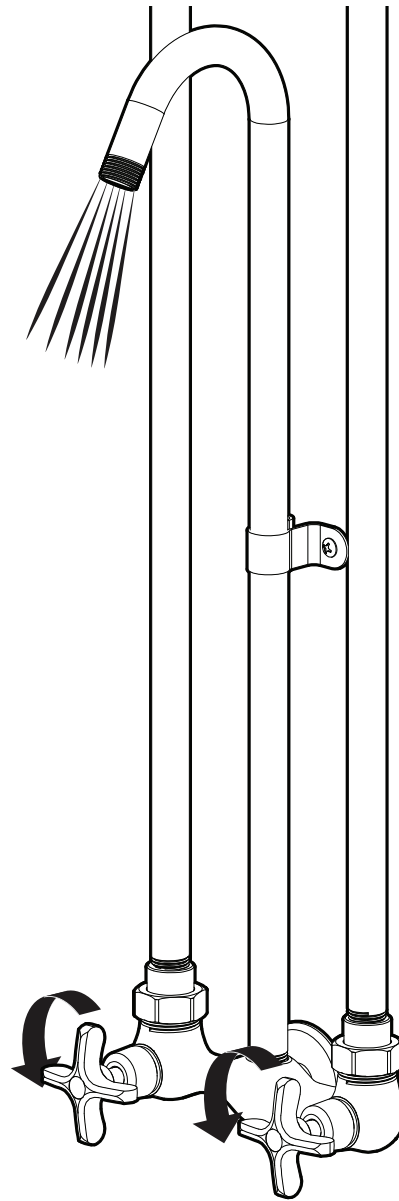
SECURE VALVE INTO POSITION

- 6** Wrench tighten Coupling Nuts (A) to Valve Assembly. Fasten body and strap to wall using four (4) Mounting Screws provided (B).



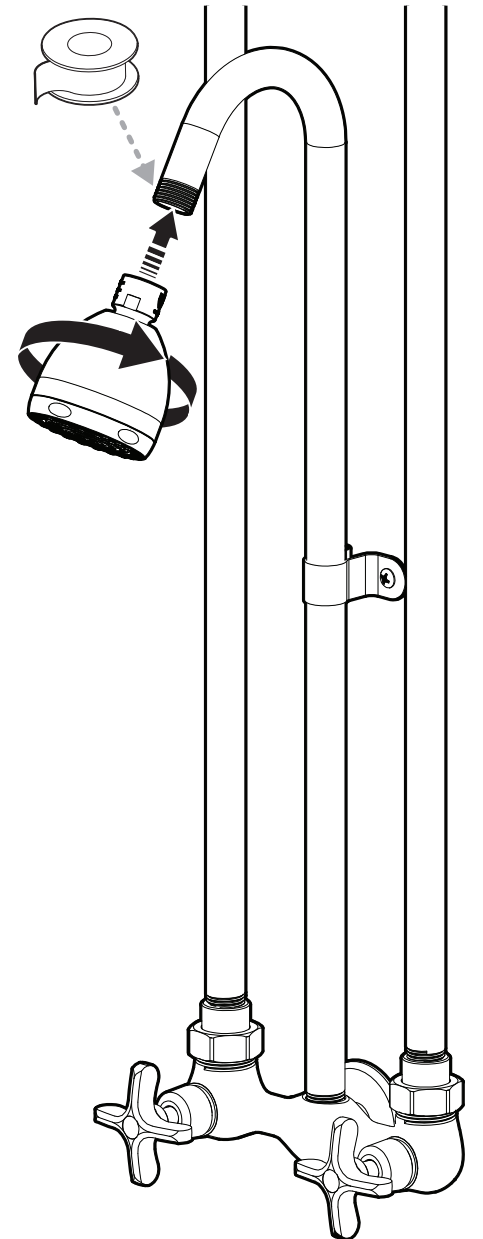
FLUSH SYSTEM

- 7** Turn water supplies on and flush both Hot and Cold sides of Valve Assembly. Check for leaks.

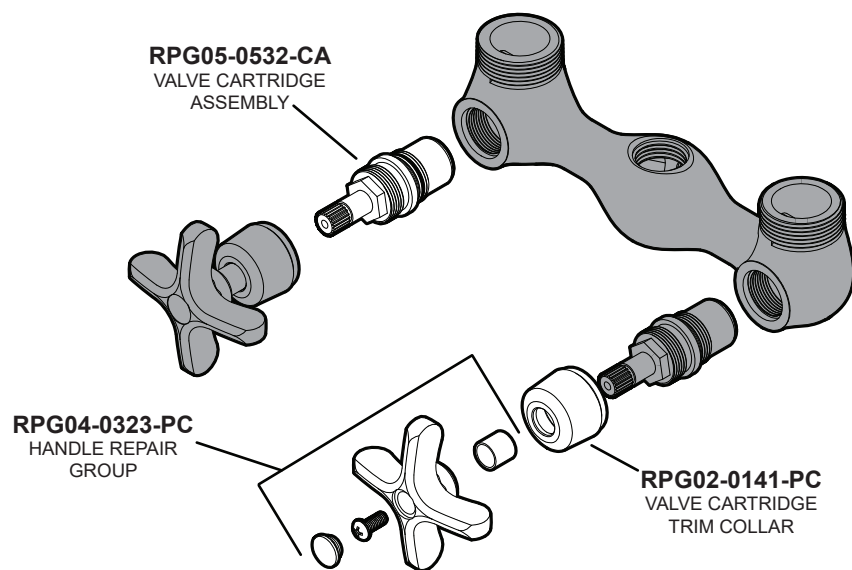


INSTALL SHOWER HEAD

- 8** Apply Thread Sealant to threads of Shower Arm. Thread Shower Head onto Shower Arm and tighten with Adjustable Wrench. Check all connections for leaks.



REPAIR PARTS



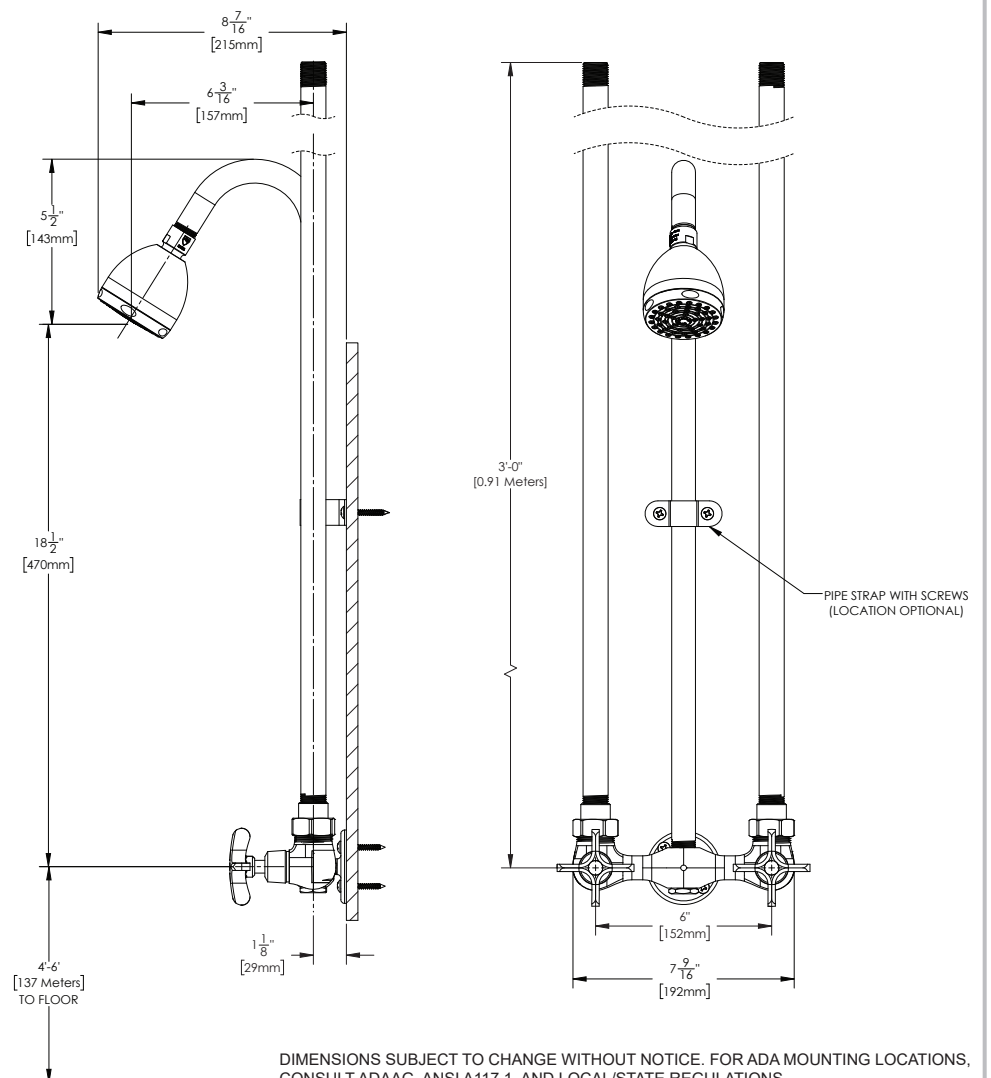
ROUGH-IN DIAGRAM

COMPLIANCE

ASME A112.18.1 / CSA B125.1
WaterSense (E2, E175 models)

CONNECTIONS

HOT / COLD Inlets: 1/2" NPT Female
Shower Outlet: 1/2" NPT Male



DIMENSIONS SUBJECT TO CHANGE WITHOUT NOTICE. FOR ADA MOUNTING LOCATIONS, CONSULT ADAAG, ANSI A117.1, AND LOCAL/STATE REGULATIONS.

PRODUCT WARRANTY

This product is warranted to be free of defects in material and workmanship for the period listed below from the date of installation.

Consumer/Residential: 5 Year Limited Warranty
Commercial Use: 5 Year Limited Warranty

Speakman warrants to its purchasers only ("Buyer") that goods are sold free from defects in materials and workmanship and conform to Speakman's specifications at the time of manufacturing, provided the goods are properly installed and maintained. Buyer's sole and exclusive remedy for any goods that may prove to have had a non-conformance within the Warranty Period shall be, at Speakman's sole option, the repair or replacement of the non-conforming goods. For additional information please go to www.speakman.com.

CALIFORNIA PROPOSITION 65



CALIFORNIA PROPOSITION 65:

WARNING: This product can expose you to chemicals including lead, which is known to the State of California to cause cancer and birth defects or other reproductive harm. For more information go to www.P65Warnings.ca.gov.

Wash hands after installation, repair, or removal of this product.