

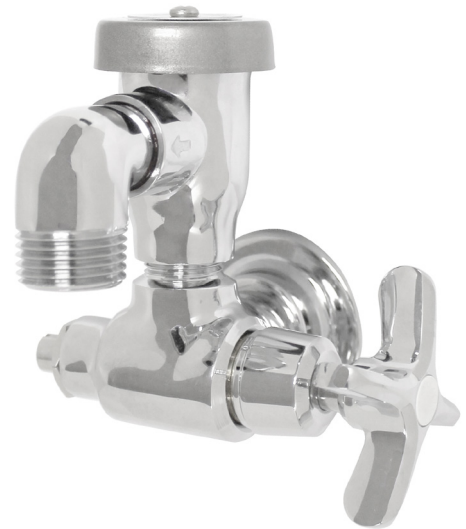
Commander® Hose Bibb and Mop Fitting

PRODUCTS:

- ❑ SC-5911-IS: Hose Bibb and Mop Fitting
- ❑ SC-5912-IS: Hose Bibb and Mop Fitting with Spray Assembly

FEATURES:

- Polished chrome plated brass Commander hose bibb and mop fitting with ¼ turn ceramic cartridge.
- Integral stop.
- Vandal-resistant four-arm handle with color-coded index.
- Wall flange.
- Vacuum breaker.
- 3/4 in. hose end nozzle.
- 1/2 in. NPTF inlet.
- 69 in. white vinyl reinforced hose. (SC-5912-IS only)
- Insulated handle. (SC-5912-IS only)
- Spray outlet and wall hook. (SC-5912-IS only)



SC-5911-IS

FINISH:



PC

OPTIONS:

Add suffix to model #

- Self-closing valve on handle (SC-5912-IS only) ❑ -SCV

COMPLIANCE:

- ASME A112.18.1/CSA B125.1 certified
- ASSE-1001 certified

WARRANTY:

- 1 year limited

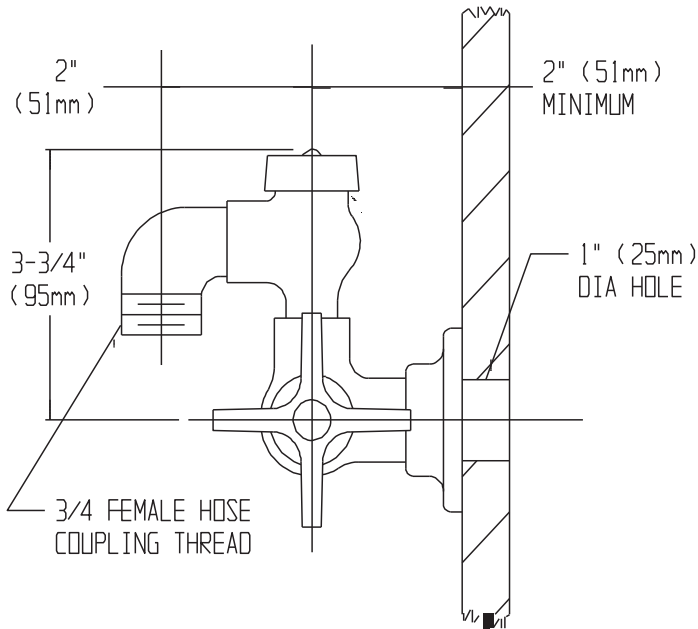


SC-5912-IS



DIMENSIONS: NOTE: 1. All dimensions are in inches (millimeters) unless otherwise specified and are subject to change without notice. 2. All inlets are 1/2" NPT female. 3. Location of wall hook optional, but restricted by hose length running from spout to insulated handle spray.

SC-5911-IS



SC-5912-IS

