

# **SPEAKMAN®**

SC-7122-E

## **Installation, Maintenance & Operation Instructions**

DOUBLE LABORATORY FAUCET

### **DESCRIPTION**

Speakman polished chrome plated double laboratory faucet with ¼ turn ceramic valves. Brass body. 5-1/4 spread brass gooseneck, swivel or rigid. Metal handles with color coded indexes. Vandal-resistant water conserving spray outlet device reduces flow to 0.5 GPM/1.9 LPM maximum to meet existing ASME A112.18.1/CSA B125.1 Standard. ½"-14 NPSM male threaded flexible copper inlets.

### **SPECIFICATIONS**

SUPPLY: ½-14 NPSM COMPRESSION COUPLING.

FLOW RATE: 0.5 GPM/1.9 LPM MAX.

SHIPPING WEIGHT: 4.4 LBS (SC-7122)

STATIC PRESSURE: 20-80 PSI

### **INSTALLATION**

1. If applicable, install the anti-rotation pin into body hole and drill hole in sink/countertop (See separate instruction/template sheet located in the hardware bag group).
2. Thread the plain end of the mounting studs (2) into the underside of the valve body and tighten with a Phillip screwdriver. With the copper inlet tubes (2) squeezed together by hand, install the rubber friction/seal gasket over inlet tubes and mounting studs. Make sure gasket cut outs (2) are positioned over/around mounting studs.
3. With the tubes squeezed together, carefully place faucet in hole (1-1/4 diameter minimum) of sink/countertop, with the mounting studs towards the back, making sure the gasket is still positioned properly. Working from under the sink, slip the rubber gasket, then the brass hold down washer onto the mounting studs. Make sure the washers (2) open side is facing forward for clearance of the inlet tubes. Screw the hold down nuts (2) onto the mounting studs and hand tighten. With the faucet positioned properly, wrench tighten nuts, using a small adjustable or ½ open-end wrench.
4. Carefully spread inlet tubes slightly apart. Hand tighten water supply lines (2) to the inlet tubes. *IMPORTANT- When tightening supply lines to the inlet tubes, hold the inlet tube fittings (2) with an adjustable or 11/16 open-end wrench. Make sure not to twist or damage the inlet tubes. Wrench tighten supply line connections.*
5. From above the sink, install the spout. For All Swiveling Spout: Install spout assembly into the body outlet and wrench tighten spout collar nut. Do not use the spout locking washer. For Rigid Spout: Place the spout locking washer into the body outlet, install the spout assembly, position, and wrench tighten the spout collar nut.
6. Slip trim sleeves (2) onto valve spindles (2). Position handles (2) and screw onto spindles. Press index buttons (2) into handles.
7. Turn water supplies (2) on and flush out both sides of faucet. Install outlet device (If applicable) and check all connections for leaks.

## **SPEAKMAN®**

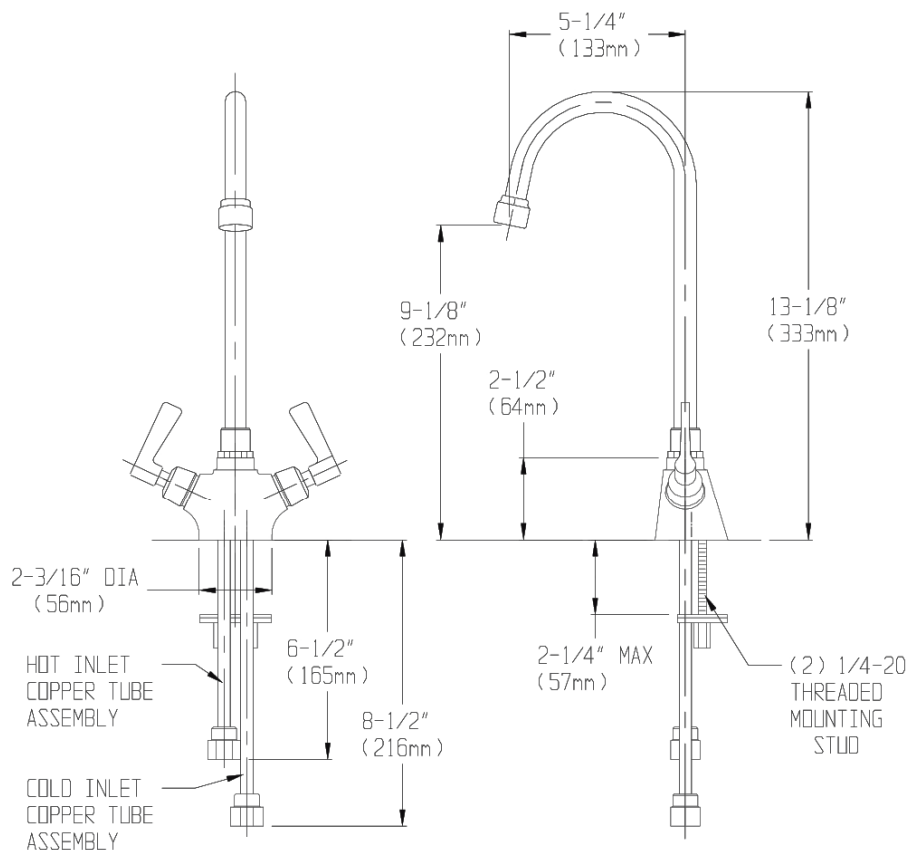
## OPERATION

Simply rotate the handles ¼ turn maximum to operate the laboratory faucet.

## MAINTENANCE

The faucet valve is washerless and requires no routine maintenance. The gleaming finish of your SPEAKMAN laboratory faucet can be cleaned by using mild soap and warm water. Dry immediately with a soft, clean cloth for best results.

## ROUGH IN DIMENSIONS



### NOTES:

- 1) ALL DIMENSIONS ARE IN INCHES (MILLIMETERS) UNLESS OTHERWISE SPECIFIED AND ARE SUBJECT TO CHANGE WITHOUT NOTICE.
- 2) INLETS ARE SIZED FOR EITHER COUPLING OR SWEAT CONNECTIONS.

## REPAIR / REPLACEMENT PARTS

| PART NUMBER   | DESCRIPTION   |
|---------------|---|
| RPG18-0213-CA | STANDARD 5" SPREAD GOOSENECK ASSEMBLY               |
| RPG38-0128-PC | 0.5 GPM SPRAY OUTLET DEVICE                         |
| RPG05-0532-CA | PERFECT® VALVE GROUP (RED) W/TRIM SLEEVE AND SCREW  |
| RPG05-0533-CA | PERFECT® VALVE GROUP (BLUE) W/TRIM SLEEVE AND SCREW |

**SPEAKMAN®**