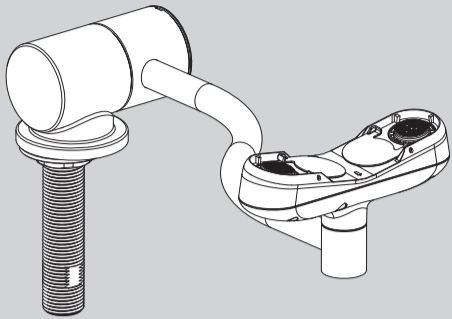


## INSTRUCTIONS FOR MODELS

### SE-573 (ADA COMPLIANT) SE-573-SD



#### NEED HELP?

For additional assistance or service please contact:

**SPEAKMAN®** Company  
400 Anchor Mill Road  
New Castle, DE 19720

800-537-2107

customerservice@speakman.com

www.speakman.com

92-SE-573-02

## IMPORTANT

- Do not over-tighten any connections or damage may occur.
- Be sure to read instructions thoroughly before beginning installation.
- This unit should be connected to an uninterrupted source of potable water, with a minimum flowing pressure of 30 PSI and a maximum static pressure of 125 PSI
- Note: All units meet existing ANSI Z358.1 Standards and OSHA Rules. Product improvements may cause specification and dimensional changes without notice.

#### SAFETY TIPS

Cover your drain to prevent loss of parts. Be sure to wear eye protection while cutting pipe.

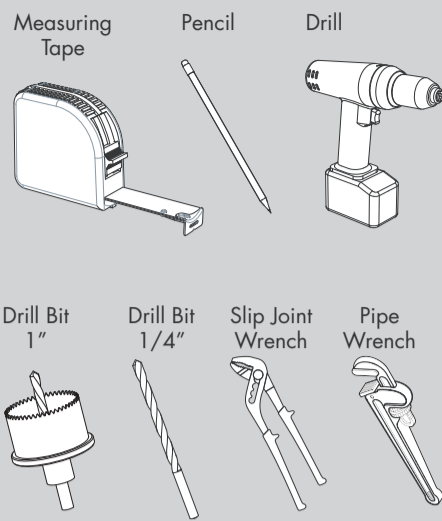
#### MAINTENANCE

The valve, eye/face wash spray heads, and O-rings are the only portions of the unit that may require maintenance. Should you need parts to repair this unit, please reference the parts within this document for the correct part required. Before any maintenance is done, **be sure to shut the water supply off**

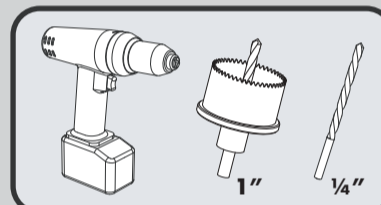
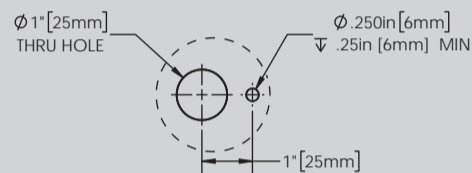
#### WARRANTY

Additional warranty information can be found at:  
www.speakman.com

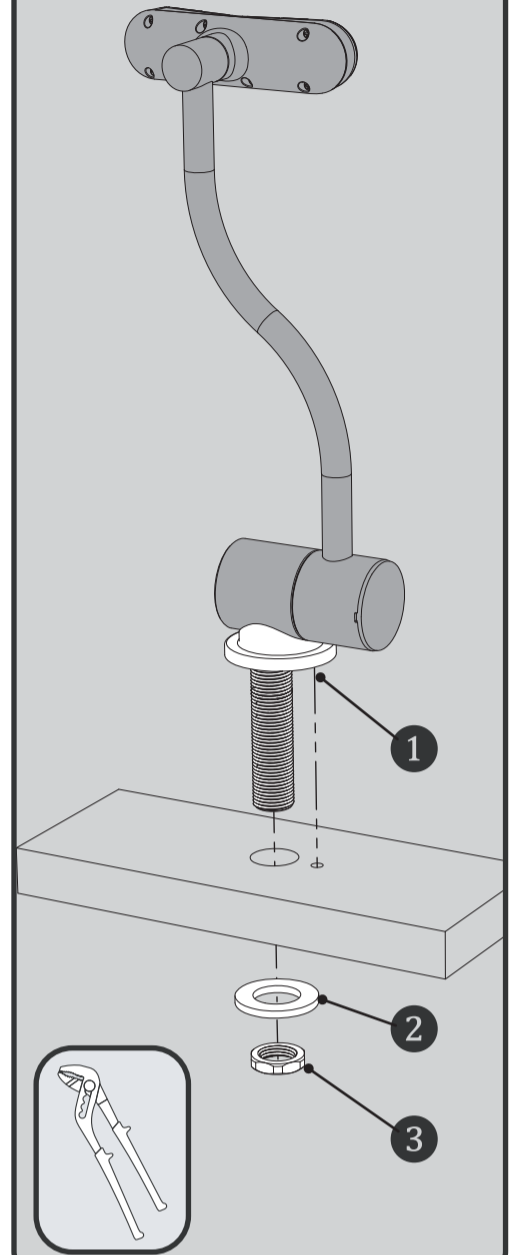
## TOOLS AND SUPPLIES



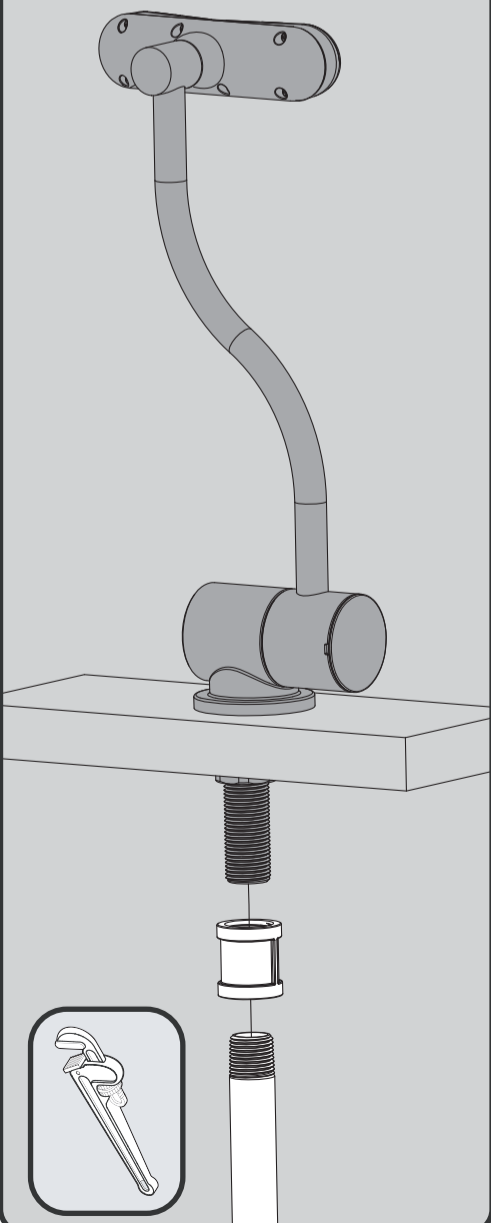
- 1 Review Rough In drawing and determine mounting location. Measure and layout required mounting holes as shown below. Ensure centerlines of holes are square and perpendicular to sink. Drill mounting holes through counter-top. Counter-top thickness not to exceed 3".



- 2 Install Eyewash through counter-top. Eyewash Sprays should be facing away from you. Ensure Alignment Post on Mounting Flange 1 is positioned into the 1/4" hole. Secure into position with Washer 2, and nut 3. Wrench tighten.



- 3 Connect a water supply to the unit that is a minimum 1/2" uninterrupted source of potable water. Failure to use potable water can result in emergency units producing impure or contaminated water causing possible further injury. Plumbing connections not included.

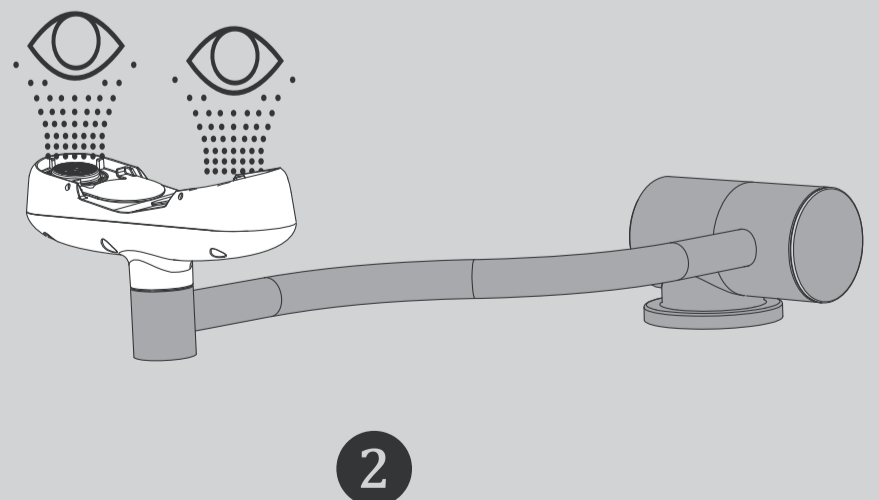
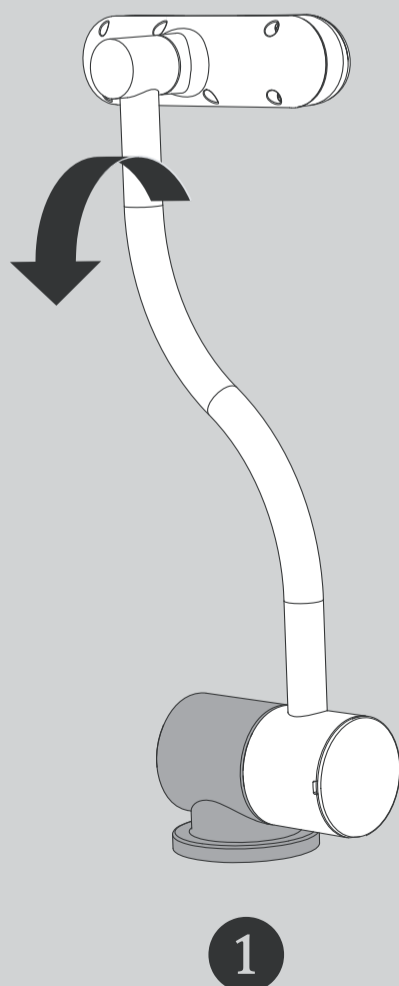


## ACTIVATION AND TESTING

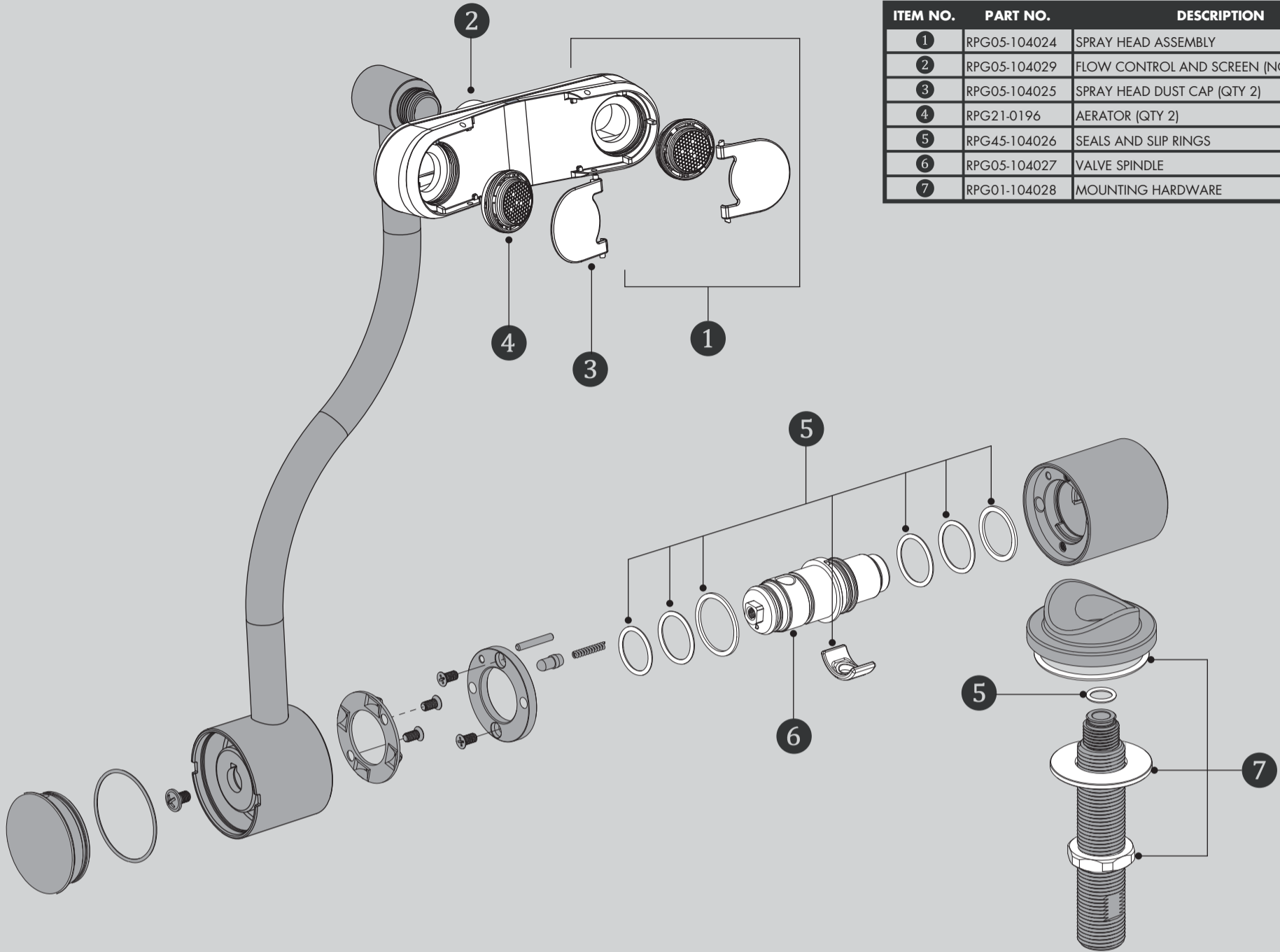
The eye wash is activated by pulling spray heads downward 90° over the sink basin. Once the unit is activated, water will discharge from the spray outlets until the eye wash spray heads are manually pushed back to the vertical off position.

#### TESTING PROGRAM

The American National Standards Institute (ANSI) states that all safety emergency equipment shall be activated on a weekly basis to flush the line and verify proper operation. Speakman Company furnishes a testing record tag (91-0635) with each unit. On this tag the date of inspection and the inspector's initials should be noted.



ITEM NO.	PART NO.	DESCRIPTION
1	RPG05-104024	SPRAY HEAD ASSEMBLY
2	RPG05-104029	FLOW CONTROL AND SCREEN (NOT SHOWN)
3	RPG05-104025	SPRAY HEAD DUST CAP (QTY 2)
4	RPG21-0196	AERATOR (QTY 2)
5	RPG45-104026	SEALS AND SLIP RINGS
6	RPG05-104027	VALVE SPINDLE
7	RPG01-104028	MOUNTING HARDWARE



**SE-573 ROUGH-IN DIAGRAM**

**NOTES:**

**COMPLIANCE:**

ANSI/ISEA Z358.1

**CONNECTIONS:**

- Inlet: 1/2" NPT MALE

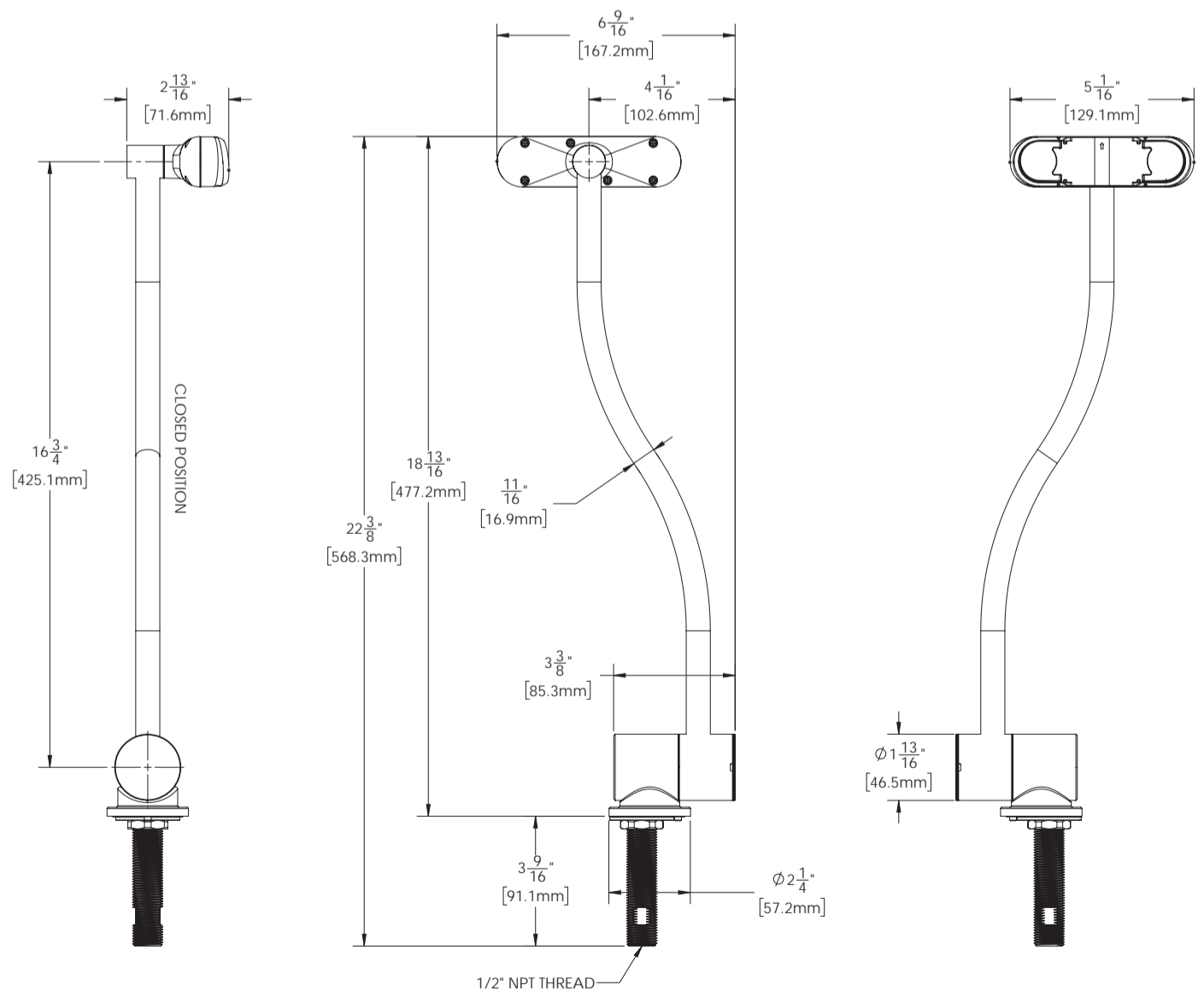
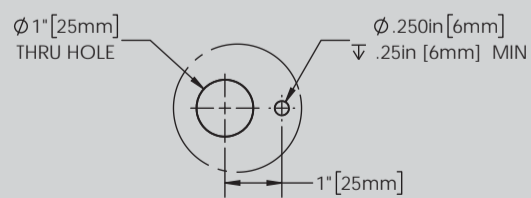
**FLOW DATA:**

**FLOW PRESSURE** PSI (BAR) 30 (2.07)

**FLOW RATE** GPM (LPM) 2.6 (9.8)

Installer to supply necessary inlet connections.

**COUNTER TOP ROUGH IN**



**NOTES:**

**COMPLIANCE:**

ANSI/ISEA Z358.1

**CONNECTIONS:**

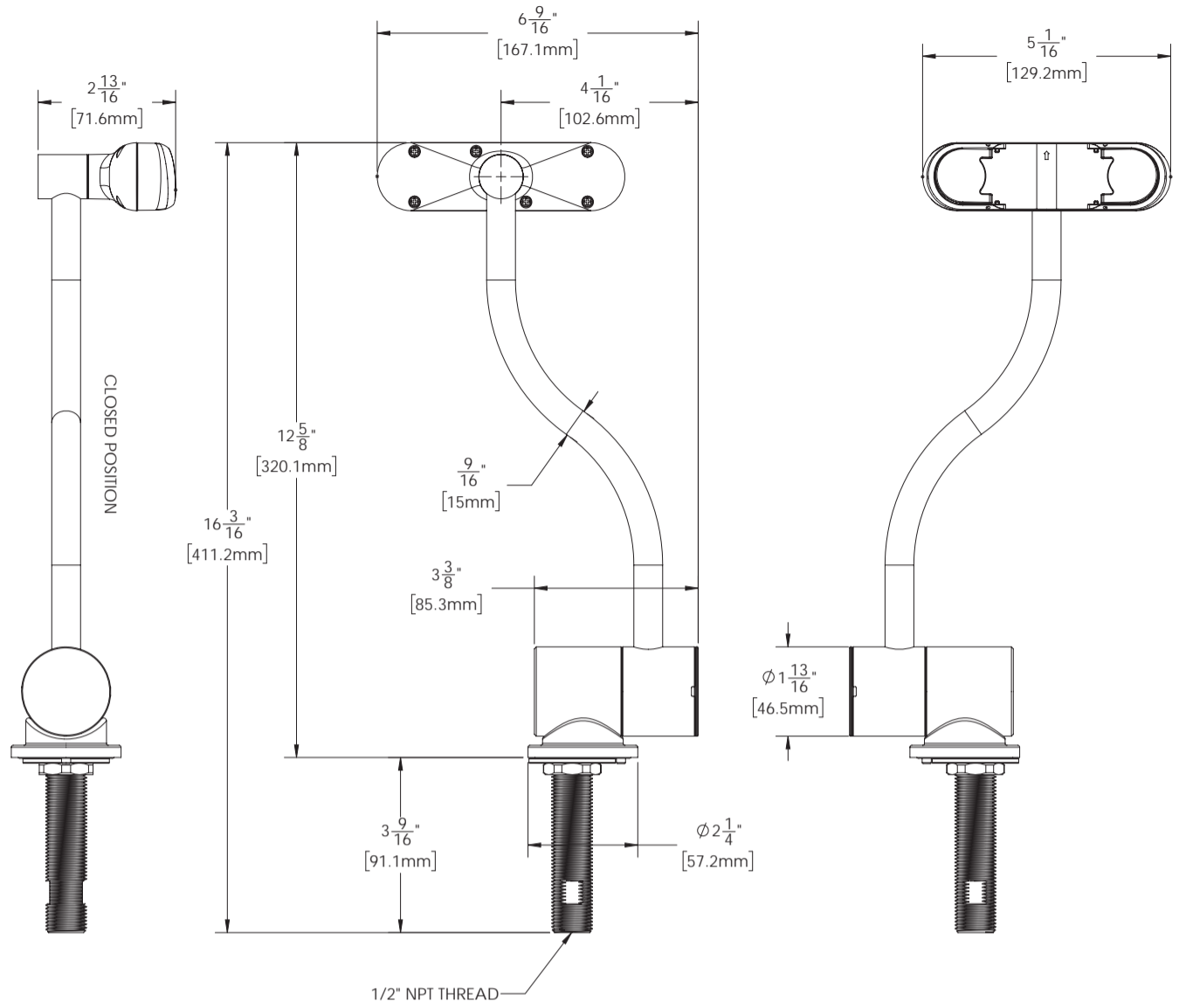
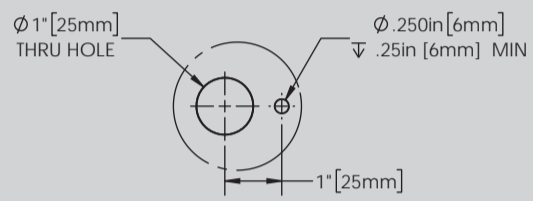
- Inlet: 1/2" NPT MALE

**FLOW DATA:**

**FLOW PRESSURE** PSI (BAR) 30 (2.07)  
**FLOW RATE** GPM (LPM) 2.6 (9.8)

Installer to supply necessary inlet connections.

**COUNTER TOP ROUGH IN**



DIMENSIONS SUBJECT TO CHANGE WITHOUT NOTICE.