

# **SPEAKMAN®**

SE-591

## **Installation, Operation & Maintenance Instructions**

EYESAVER® EYEWASH

### **DESCRIPTION**

Portable emergency eyewash. Supplied with stainless steel tank, stay-open full flow ball valve; activated by stainless steel push handle; pressure gauge, air filler, pressure relief valve, twin spray heads with individual flow restrictors, and flip-off dust covers.

### **SPECIFICATIONS**

TANK: 10 Gallon Stainless Steel

SPRAY HEADS: (2) Yellow ABS Plastic Spray Outlet, Dust Cover

VALVE: 3/8" NPT Female Brass, Chrome-Plated

ACTIVATOR: Stainless Steel Push Handle

SHIPPING WEIGHT: 24 lb

### **INSTALLATION**

Assemble bull horn assembly (item #1) and 3/8" pipe to 3/8" ball valve (item #5). The bullhorn assembly positioning should be in-line (parallel) with the eyewash paddle handle and tank handle. Use thread sealant on joint. Once fully assembled, fill tank with 8 gallons of water and pressurize tank with 85 PSI of air. Be sure to recharge after each use.

### **OPERATION**

The *eyewash* is activated by pushing the push handle back 90°. Once the unit is activated, water will discharge from the spray outlets until the push handle is manually pulled back to the off position.

### **TESTING PROGRAM**

The American National Standards Institute (ANSI) states that all safety emergency equipment shall be activated on a weekly basis to flush the line and verify proper operation. Speakman Company furnishes a testing record tag (91-0635) with each unit. On this tag the date of inspection and the inspectors initials should be noted.

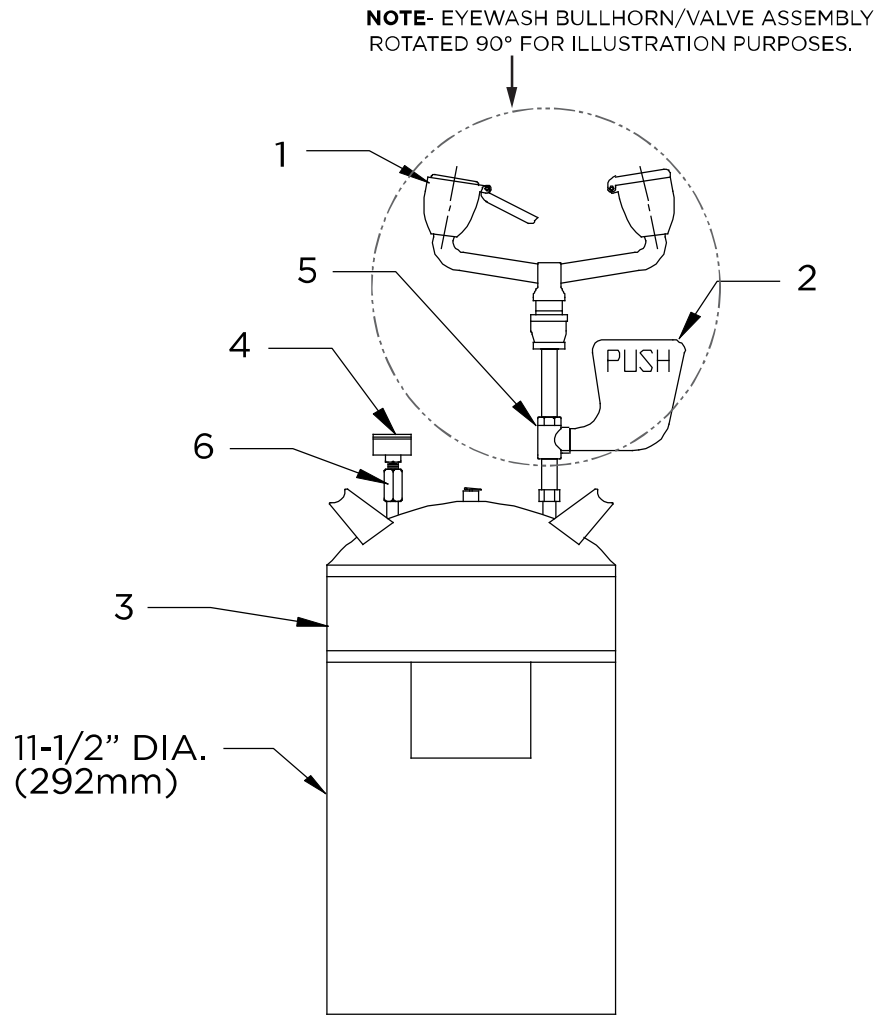
### **MAINTENANCE**

The valve and the eyewash are the only portions of the unit that may require maintenance. Should you need parts to repair this unit, please reference the parts listing below for correct part numbers.

Replace the water and clean the tank at least once a month. To clean the tank, drain the water through the hand held drench hose or the eyewash. Refill as instructed in the operation section.

**SPEAKMAN®**

# ROUGH-IN



Note: All units meet existing ANSI Z358.1 Standards and OSHA Rules. Product improvements may cause specification and dimensional changes without notice.

## FLOW DATA

EYEWASH:

FLOW RATE	GPM (L/min)	.4 (1.5) for 15 minutes
-----------	-------------	----------------------------

## REPLACEMENT/REPAIR PARTS

ITEM	PART/GROUP #	DESCRIPTION
1	G05-0735	Low Flow Bullhorn Assembly
2	04-0841	Paddle Handle
3	05-1670-MO	Tank- 10 Gal S/S
4	05-1671-MO	Pressure Gauge
5	SE-909	3/8" Ball Valve w/Paddle Handle
6	24-0268-RCP-P	Air Inlet Tee

**WARNING:** Use only genuine Speakman parts when repairing or replacing components.  
To order parts call 1-800-537-2107.

**SPEAKMAN®**