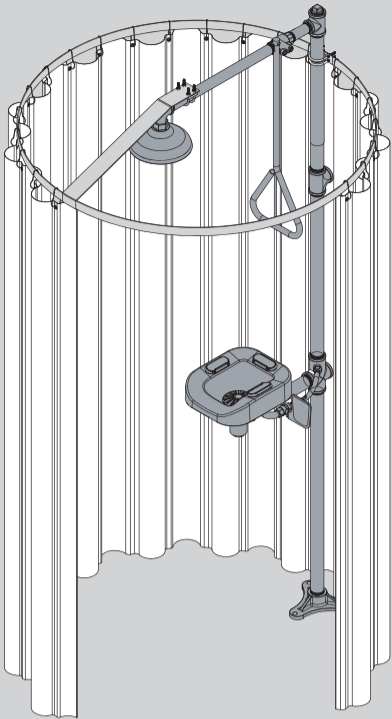


INSTRUCTIONS FOR MODELS

SE-CURTAIN



NEED HELP?

For additional assistance or service please contact:

SPEAKMAN® Company
400 Anchor Mill Road
New Castle, DE 19720

800-537-2107

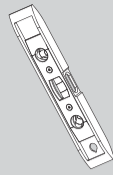
customerservice@speakman.com

www.speakman.com

92-SE-CURTAIN-02

TOOLS AND SUPPLIES

Level



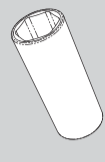
Safety Glasses



Socket Wrench



Deep Well Socket 7/16"



Adjustable Wrench



IMPORTANT



NOTE: SE-CURTAIN shown with the SE-1200 stanchion Emergency Shower Station for reference only.

SAFETY TIPS

Cover your drain to prevent loss of parts.

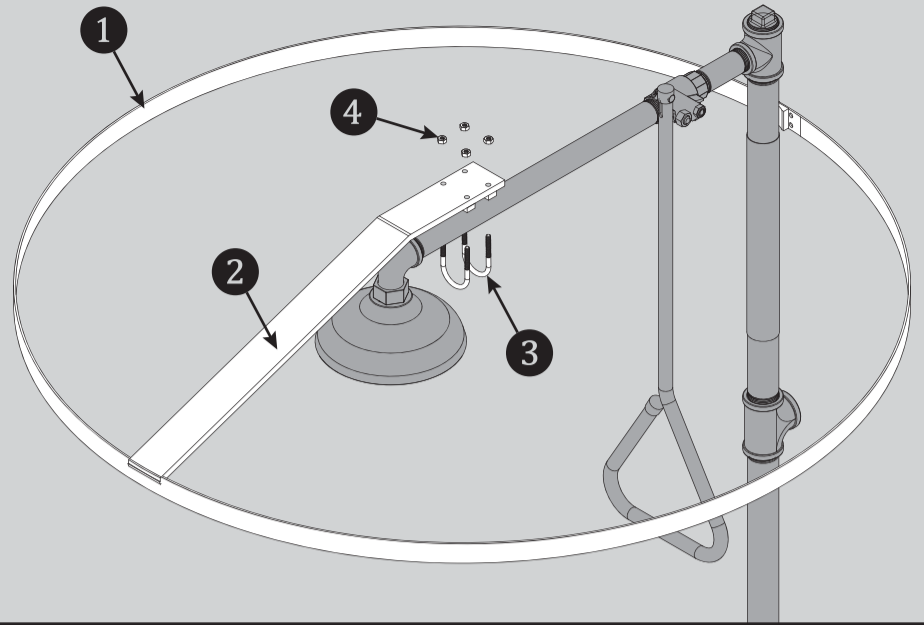
MAINTENANCE

Your new Speakman product is designed for years of trouble-free performance. Keep it looking new by cleaning it periodically with a soft cloth. Avoid abrasive cleaners, steel wool, and harsh chemicals as these will dull the finish and void your warranty.

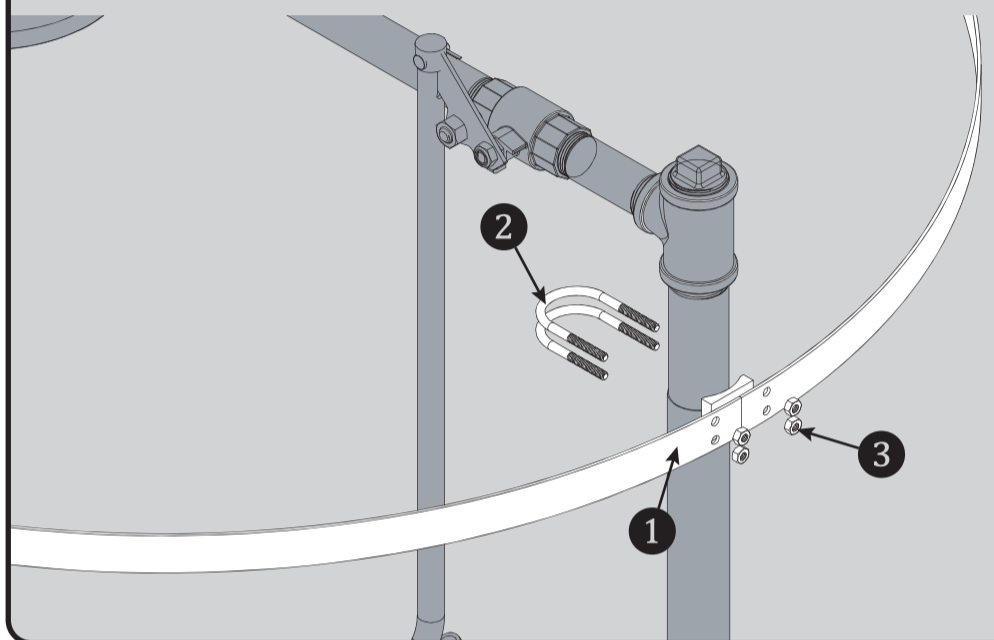
WARRANTY

Additional warranty information can be found at: www.speakman.com

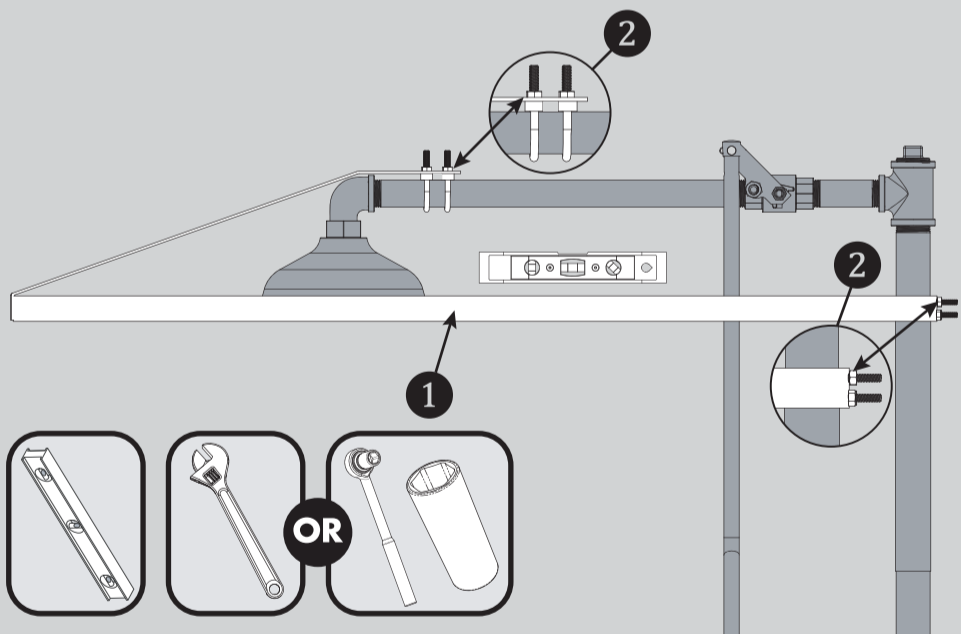
1 Position the Curtain Track (1) over top of the horizontal shower pipe and behind the vertical shower pipe. Fasten the Horizontal Support Brace (2) to the horizontal shower pipe using the two (2) 1" U-bolts (3) supplied. Hand tighten the four (4) supplied U-bolt nuts (4).



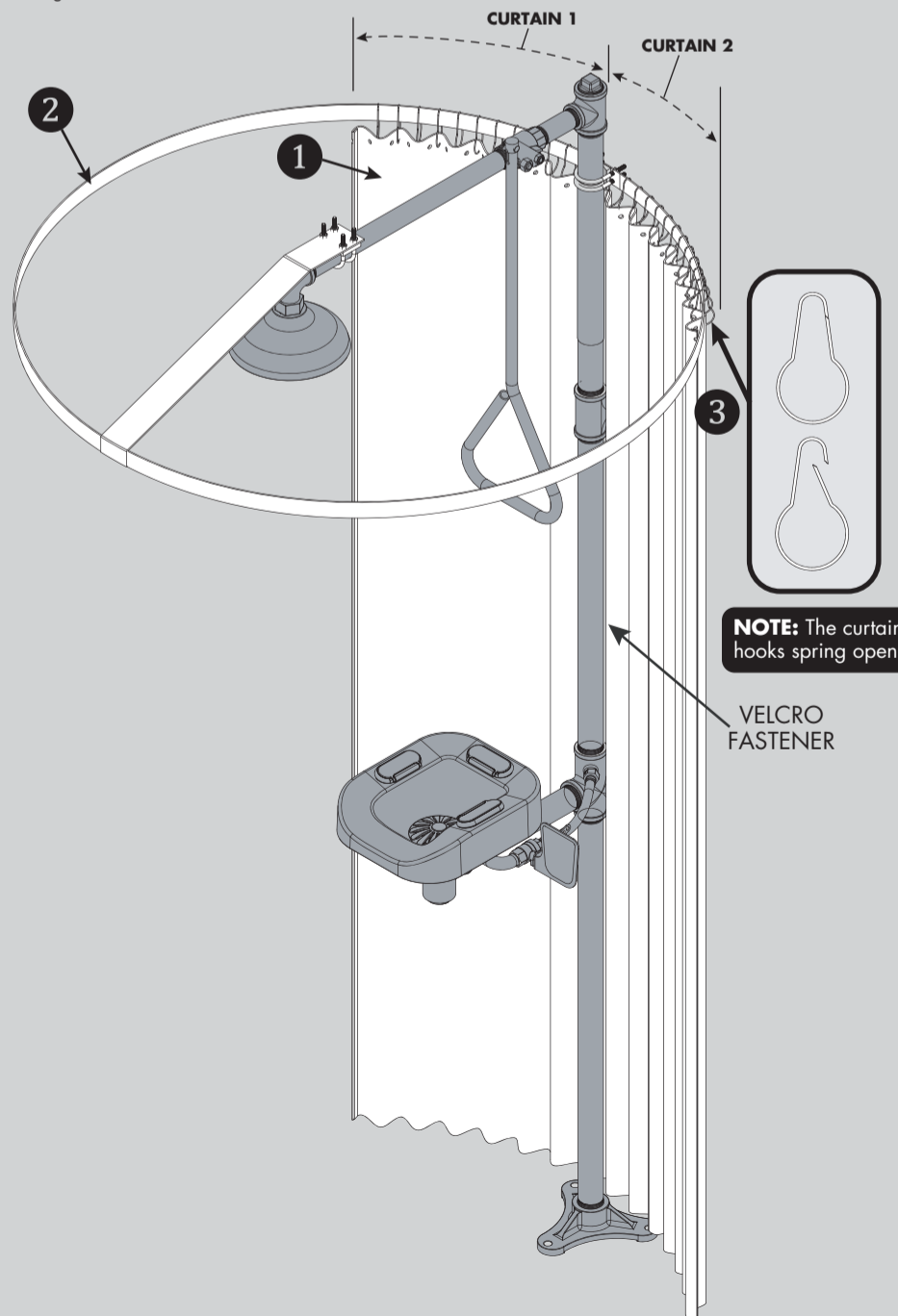
2 Fasten the rear of the Curtain Track (1) to the vertical shower pipe using the two (2) 1-1/4" U-bolts (2) supplied. Hand tighten the four (4) U-bolt nuts (3) supplied.



3 Level the Curtain Track (1), making sure it is properly positioned, and wrench tighten the eight (8) U-Bolt Nuts (2) supplied.



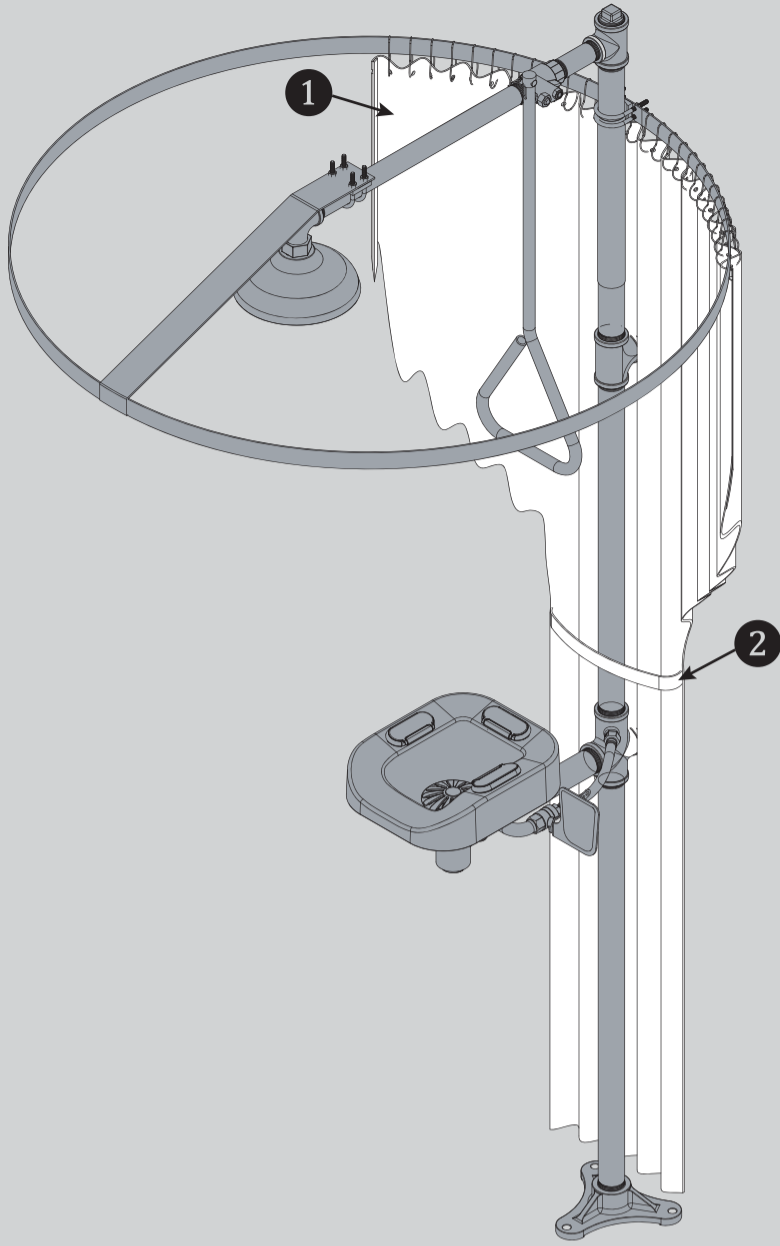
4 Attach the two (2) Curtains (1) to the Curtain Track (2), with the curtain openings in the front & back, using the thirty-two (32) Shower Curtain Hooks (3) supplied. The curtain opening in the back should always be closed using the Velcro fastener.



NOTE: The curtain hooks spring open.

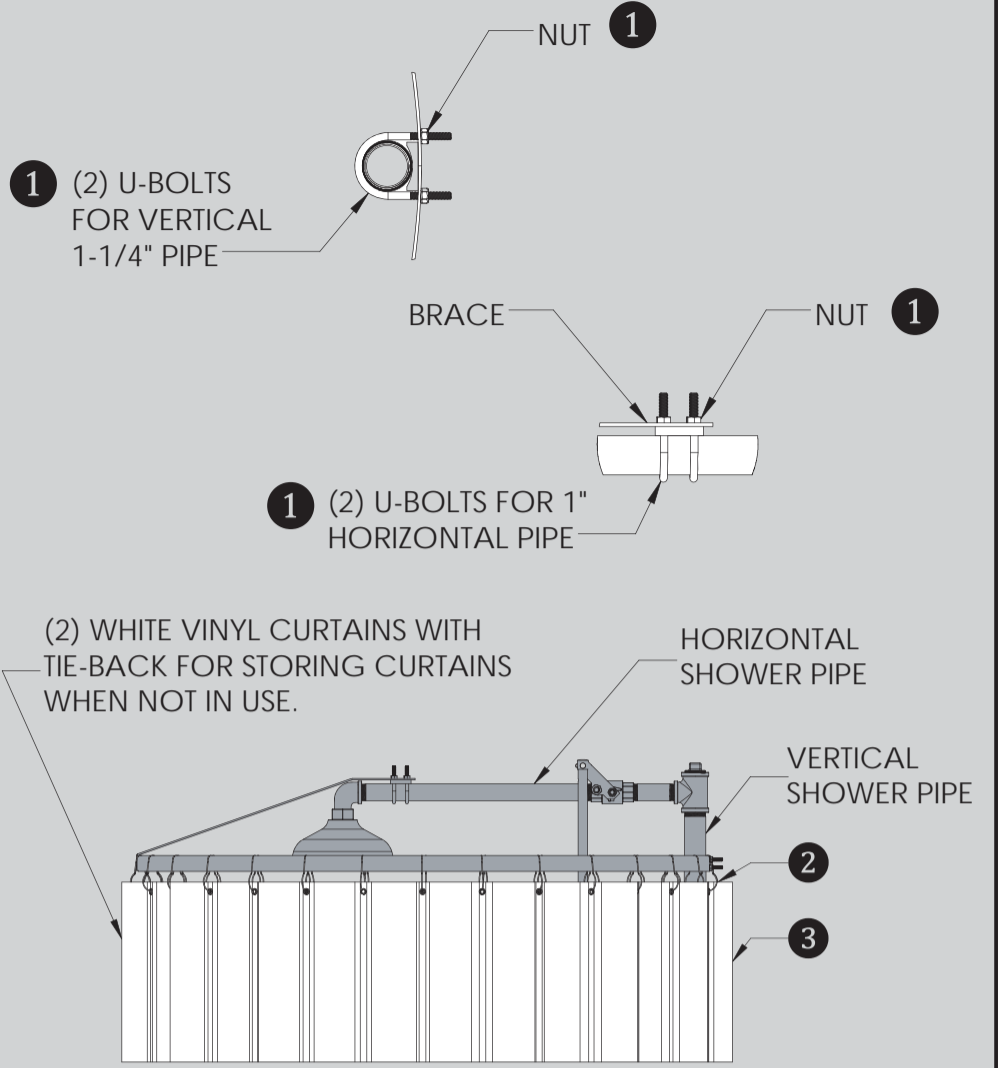
VELCRO FASTENER

5 Always leave the Curtain (1) fully open when the shower is not in use. Use the provided Curtain Tie-Back (2) to hold the fully opened Curtain in place.



SE-CURTAIN REPAIR PARTS

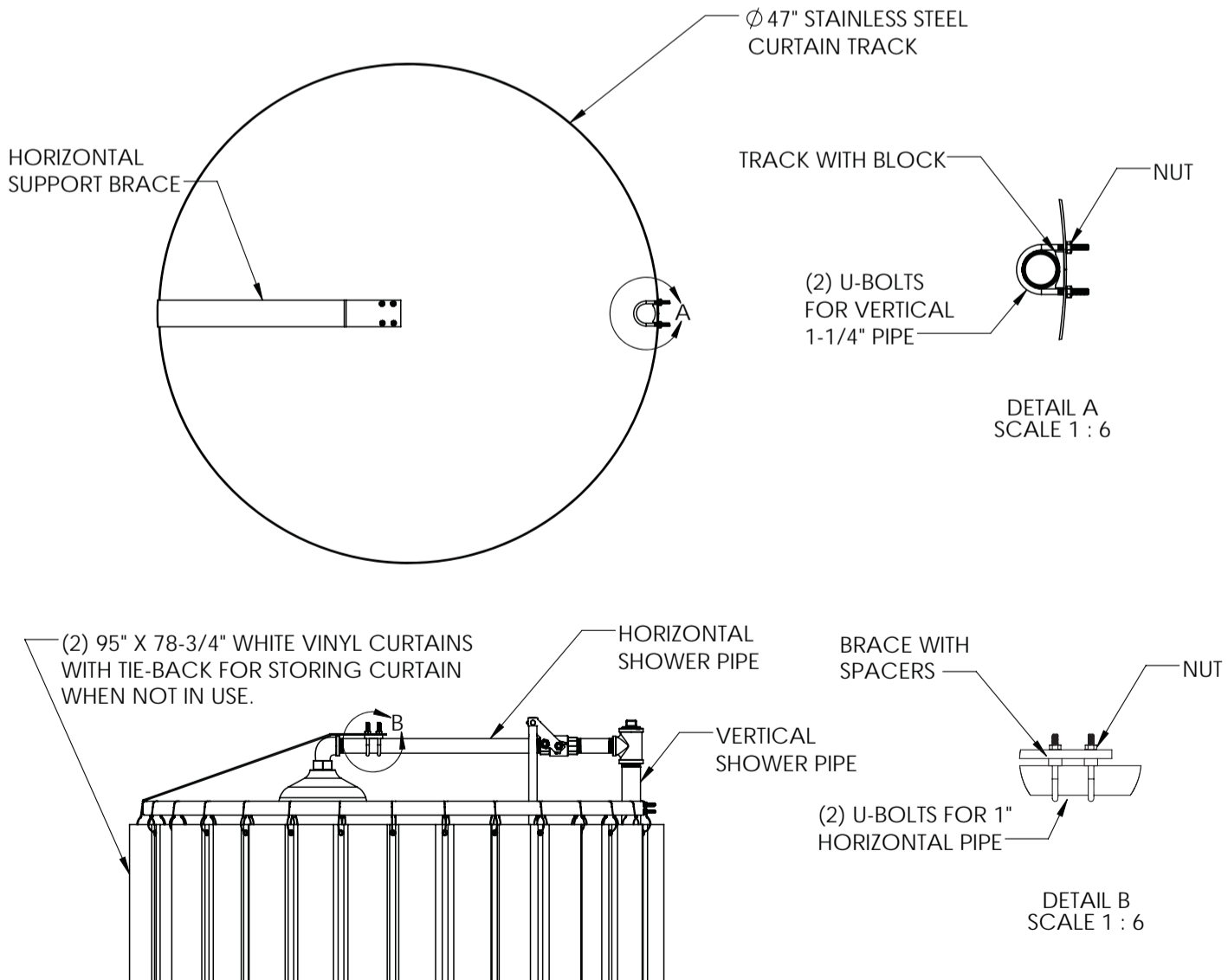
SPEAKMAN®



ITEM NO.	PART NO.	DESCRIPTION
1	RPG05-104325	HARDWARE REPAIR GROUP
2	RPG35-103901	(32) SHOWER CURTAIN HOOKS
3	RPG62-103903	(2) SHOWER CURTAINS W/TIE-BACK
4	RPG05-104326	TIE-BACK FOR SHOWER CURTAIN (NOT SHOWN)

SE-CURTAIN ROUGH-IN DIAGRAM

SPEAKMAN®



DIMENSIONS SUBJECT TO CHANGE WITHOUT NOTICE.