

Battery Powered 8 in. Deck Plate Faucet with Integrated Eyewash

EYEWASH FEATURES:

- Pull handle activator
- Dedicated water channel for eyewash
- Aerated yellow plastic spray outlets with flip-top dust caps
- 2.9 gpm flow rate at 30 psi.

FAUCET FEATURES:

- 3/8 in. compression connections with male threads for hot and cold inlets
- Sensor battery operated
- 2.2 gpm (8.3 L/min) flow rate
- Includes thermostatic faucet mixing valve

OPTIONS:

- 8: 8 in. gooseneck spout
- BO: Vandal resistant 0.5 gpm flow control
- LF: Laminar flow outlet 1.5 gpm
- NA: Non-aerated eyewash outlets
- ST: Serrated tip with vacuum breaker (not NSF 372 or NSF 61 compliant)
- TW: SE-370 Thermostatic mixing valve

STANDARDS:

- ANSI/ISEA Z358.1 certified
- ASME A112.18.1/CSA B125 compliant
- ADA compliant

WARRANTY:

Visit www.speakman.com for full product warranty information

- 3 Year Limited



Information continues on next page

**ENSURE YOU ARE ANSI/ISEA Z358.1
Tepid Water Compliant
by incorporating Speakman's 9.7 GPM
Thermostatic Mixing Valve.**



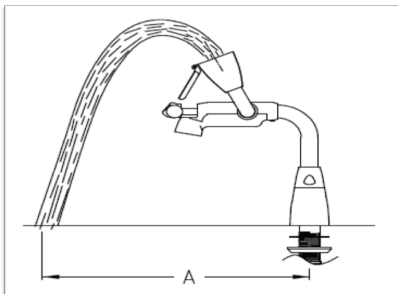
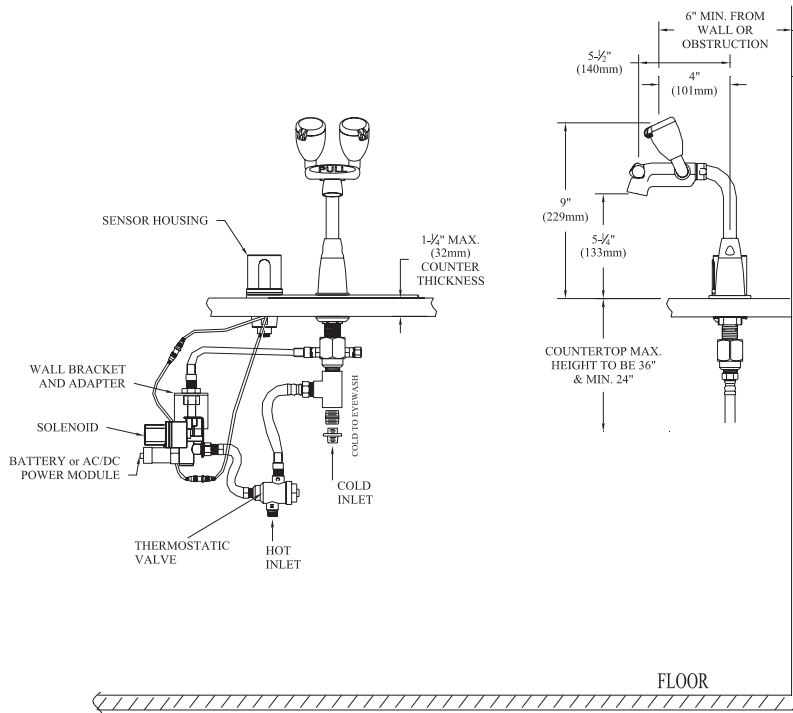
- **-TW OPTION:** Add the -TW suffix to the part number, this product ships complete with the TMV and connections
- **STW-370:** Thermostatic Mixing Valve (valve only)
- **SEF-TW:** Thermostatic Mixing Valve with necessary connections for SEF products

All dimensions are in inches (millimeters) unless otherwise specified and are subject to change without notice.

Architect/Engineer Approval Space:

P: 800-537-2107
F: 800-977-2747
W: WWW.SPEAKMAN.COM
R: 01-MAY 2022

Battery Powered 8 in. Deck Plate Faucet with Integrated Eyewash



SEF-1813 Spray Plume Length and Flow

Flowing Pressure	30 psi	40 psi	50 psi	60 psi	70 psi	80 psi
	2.07 Bar	2.76 Bar	3.45 Bar	4.14 Bar	4.83 Bar	5.52 Bar
Flow Rate	2.9 gpm	3.1 gpm	2.9 gpm	2.9 gpm	2.9 gpm	2.9 gpm
	11.09 L/min	11.55 L/min	11.13 L/min	10.98 L/min	10.90 L/min	10.86 L/min
Eyewash Distance	13.5"	14.25"	14.25"	13.75"	13.75"	13.75"
Plume "A"	34.29 cm	36.2 cm	36.2 cm	34.93 cm	34.93 cm	34.93 cm

SEF-1813-8 Spray Plume Length and Flow

Flowing Pressure	30 psi	40 psi	50 psi	60 psi	70 psi	80 psi
	2.07 Bar	2.76 Bar	3.45 Bar	4.14 Bar	4.83 Bar	5.52 Bar
Flow Rate	2.9 gpm	3.1 gpm	2.9 gpm	2.9 gpm	2.9 gpm	2.9 gpm
	11.09 L/min	11.55 L/min	11.13 L/min	10.98 L/min	10.90 L/min	10.86 L/min
Eyewash Distance	17.0"	18"	17.5"	17.0"	17.0"	17.0"
Plume "A"	43.18 cm	45.72 cm	44.45 cm	43.18 cm	43.18 cm	43.18 cm

All dimensions are in inches (millimeters) unless otherwise specified and are subject to change without notice.

Architect/Engineer Approval Space:

P: 800-537-2107
 F: 800-977-2747
 W: WWW.SPEAKMAN.COM
 R: 01-MAY 2022