

## Eyesaver® AC Powered Sensor Eyewash

### MODELS:

- SEF-18200: Eyesaver® AC Powered Sensor Eyewash
- SEF-18200-8: Eyesaver® AC Powered Sensor Eyewash w/ 8 in. Spout

### EYEWASH FEATURES:

- Independent water channel for eyewash
- Brass Spindle Valve
- Lift handle activation
- (2) Dedicated Optimus® aerated eyewash sprays with flip top dust caps
- 2.0 GPM (7.6 L/min) @ 30 PSI flow rate
- 1/2" NPT male inlet

### FAUCET FEATURES:

- Low-lead brass construction
- Sensor eye integrated into front of faucet body for easy activation
- AC powered Sensor
- Solenoid life exceeds 2.7 million cycles
- 1.2 GPM (4.5 L/min) flow rate
- Inlet supply 3/8" compression with male threads

### FAUCET OPTION:

- 8: 8" Gooseneck spout for faucet
- TMV: Thermostatic mixing valve for tepid water during faucet usage

### EYEWASH ADD-ONS:

- A-SEF-NA: Non-aerated eyewash outlets
- SEF-TW: Thermostatic mixing valve for tepid water during eyewash usage

### FAUCET ADD-ONS:

- A-SEF-BOLF: 0.5 GPM (1.89 L/min) faucet flow control and 1.5 GPM (5.7 L/min) laminar faucet flow control kit
- A-SEF-ST: Serrated tip for faucet with vacuum breaker (Not NSF 61/372 compliant)
- A-TMV: Thermostatic mixing valve for tepid water during faucet usage

### STANDARDS:

- ANSI/ISEA Z358.1 certified
- ASME A112.18.1/CSA B125.1 certified
- IGC 272 certified
- NSF/ANSI 61 certified
- NSF/ANSI 372 certified
- ADA compliant

### WARRANTY:

Visit [www.speakman.com](http://www.speakman.com) for full product warranty information

- 3 Year Limited Warranty (commercial)



Information continues on next page

**ENSURE YOU ARE ANSI/ISEA Z358.1  
Tepid Water Compliant  
by incorporating Speakman's 9.7 GPM  
Thermostatic Mixing Valve.**



- **STW-370:** Thermostatic Mixing Valve (valve only)
- **SEF-TW:** Thermostatic Mixing Valve with necessary connections for SEF products

All dimensions are in inches (millimeters) unless otherwise specified and are subject to change without notice.

Architect/Engineer Approval Space:

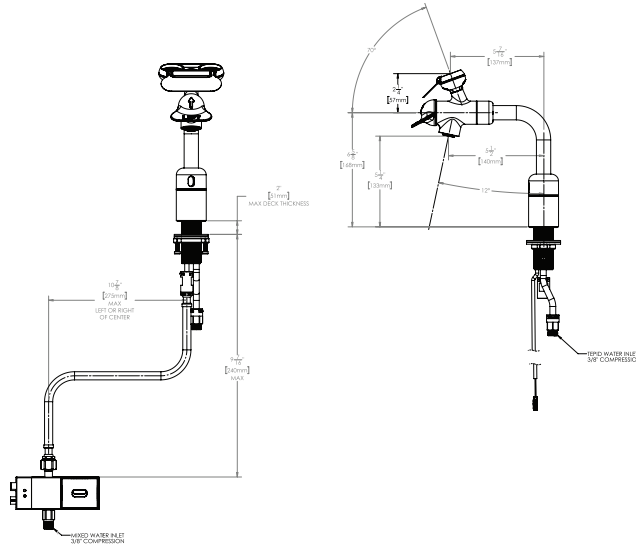
**P:** 800-537-2107  
**F:** 800-977-2747  
**W:** WWW.SPEAKMAN.COM  
**R:** 04-MAY 2022

# SEF-18200

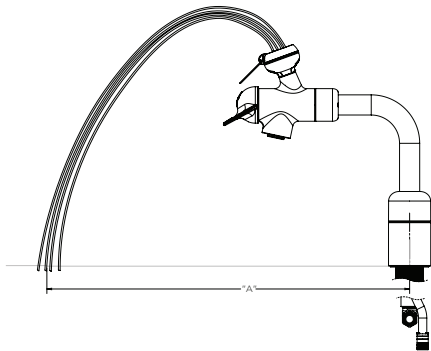
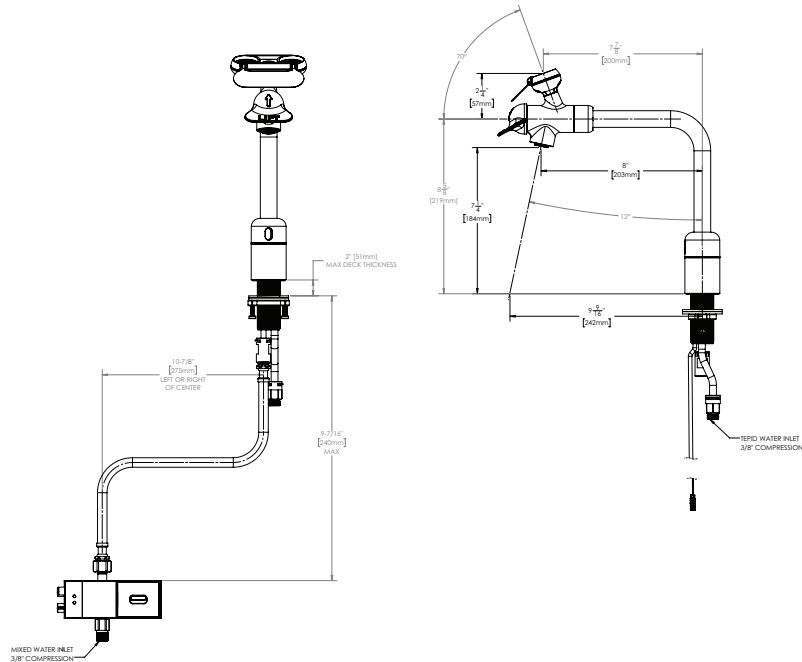
**SPEAKMAN®**

## Eyesaver® AC Powered Sensor Eyewash

SEF-18100



SEF-18100-8



SEF-1800-SL Spray Plume Length and Flow

| Flowing Pressure              | 30 psi<br>2.07 Bar | 40 psi<br>2.76 Bar | 50 psi<br>3.45 Bar | 60 psi<br>4.14 Bar | 70 psi<br>4.83 Bar | 80 psi<br>5.52 Bar |
|-------------------------------|--------------------|--------------------|--------------------|--------------------|--------------------|--------------------|
| Flow Rate                     | gpm<br>L/min       | gpm<br>L/min       | gpm<br>L/min       | gpm<br>L/min       | gpm<br>L/min       | gpm<br>L/min       |
| Eyewash Distance<br>Plume "A" | "<br>cm            | "<br>cm            | "<br>cm            | "<br>cm            | "<br>cm            | "<br>cm            |

SEF-1800-SL-8 Spray Plume Length and Flow

| Flowing Pressure              | 30 psi<br>2.07 Bar | 40 psi<br>2.76 Bar | 50 psi<br>3.45 Bar | 60 psi<br>4.14 Bar | 70 psi<br>4.83 Bar | 80 psi<br>5.52 Bar |
|-------------------------------|--------------------|--------------------|--------------------|--------------------|--------------------|--------------------|
| Flow Rate                     | gpm<br>L/min       | gpm<br>L/min       | gpm<br>L/min       | gpm<br>L/min       | gpm<br>L/min       | gpm<br>L/min       |
| Eyewash Distance<br>Plume "A" | "<br>cm            | "<br>cm            | "<br>cm            | "<br>cm            | "<br>cm            | "<br>cm            |

All dimensions are in inches (millimeters) unless otherwise specified and are subject to change without notice.

Architect/Engineer Approval Space:

P: 800-537-2107  
 F: 800-977-2747  
 W: WWW.SPEAKMAN.COM  
 R: 04-MAY 2022