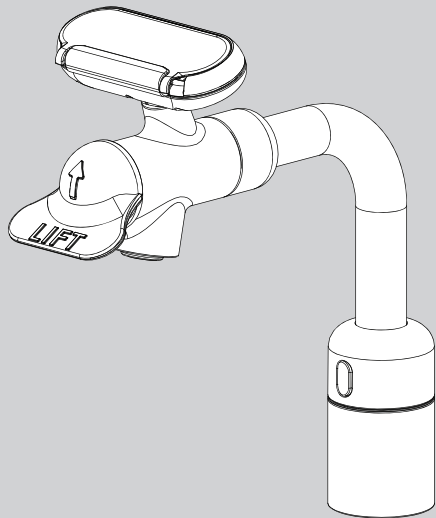


INSTRUCTIONS FOR MODELS

SEF-18100
SEF-18200
SEF-18100-8
SEF-18200-8
EYESAVER®
Sensor Faucet



* YOUR FAUCET MAY DIFFER IN APPEARANCE TO ITEM SHOWN, IT WILL INSTALL WITH IN THE SAME MANNER.

NEED HELP?

For additional assistance or service please contact:

SPEAKMAN®

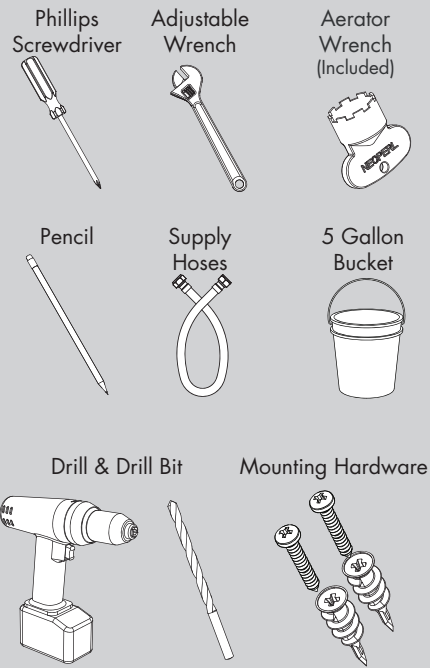
800-537-2107

customerservice@speakman.com

www.speakman.com

92-SEF-18100-01

TOOLS AND SUPPLIES



IMPORTANT

- The supply line for the eyewash shall provide an uninterrupted supply of flushing fluid at a minimum of 30 psi flowing pressure. If shut off valves are installed in the supply line of the eyewash, provisions shall be made to prevent unauthorized shut off. ANSI Z358.1 requires that all emergency equipment shall be tested weekly to verify proper operation and inspected annually to assure conformance with ANSI Z358.1 requirements.

- Do not over-tighten any connections or damage may occur.
- Be sure to read instructions thoroughly before beginning installation.
- This faucet has an operating range of 20-80 psi.
- This installation manual covers several models. While the appearance of your faucet may vary, the installation steps required are the same as shown in this manual.

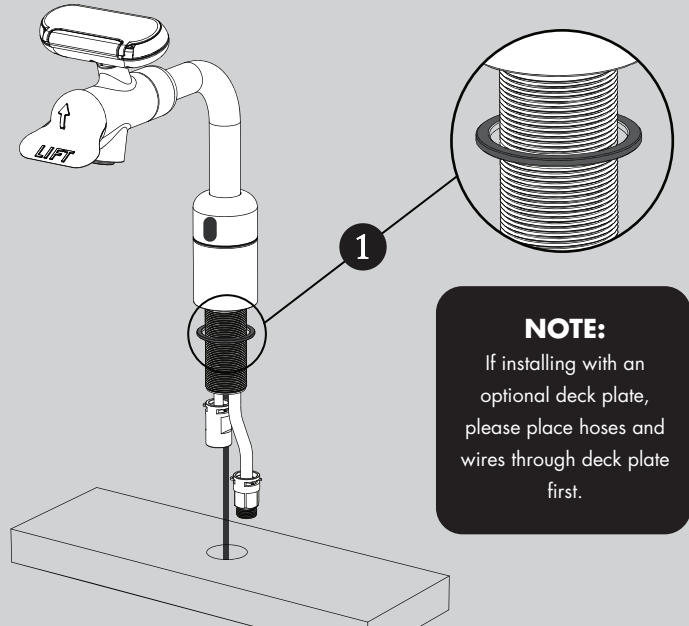
SAFETY TIPS

Cover your drain to prevent loss of parts. Be sure to wear eye protection while cutting pipe.

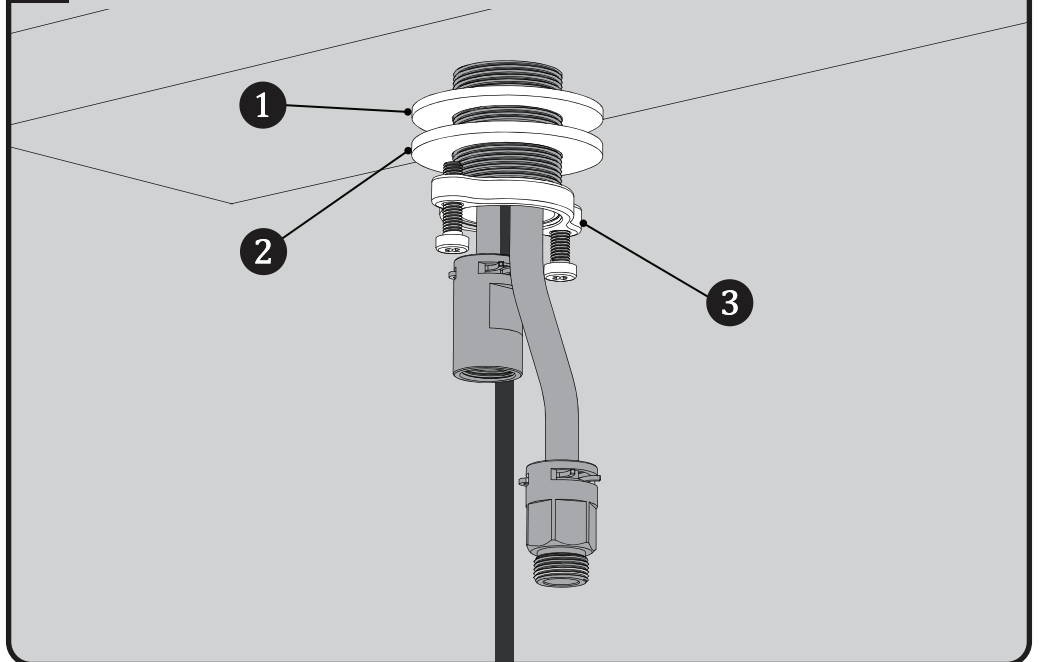
WARRANTY

Warranty information can be found at: www.speakman.com

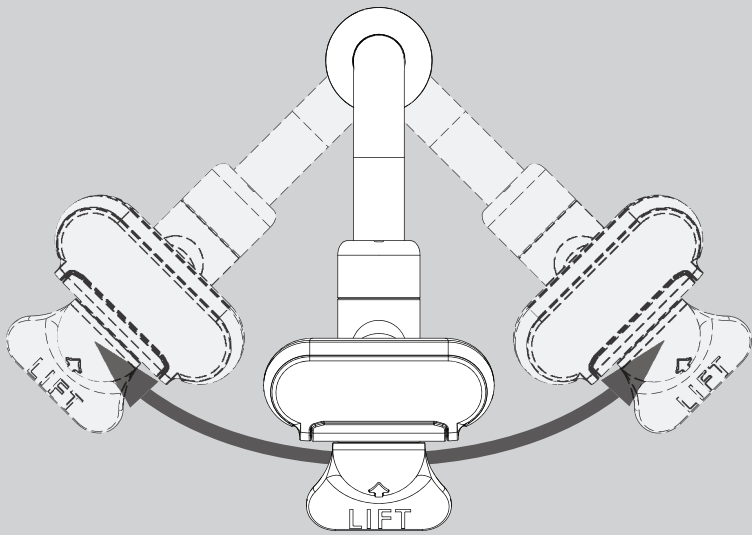
1 Ensure water supplies are shut OFF. Remove existing faucet spout and clean mounting surface. Verify that the Rubber Gasket (1) is in position and aligned to the base of the Faucet Spout. Place Hoses and Sensor Wires carefully, one at a time, through hole in mounting surface. Lower Faucet Spout into position.



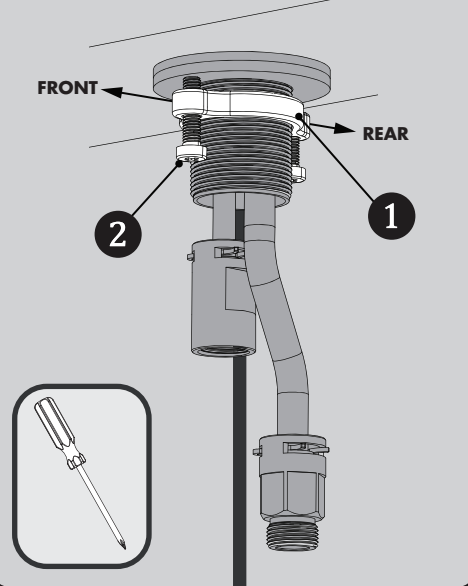
2 From below, install Rubber Mounting Washer (1), Metal Mounting Washer (2), and Mounting Nut (3).



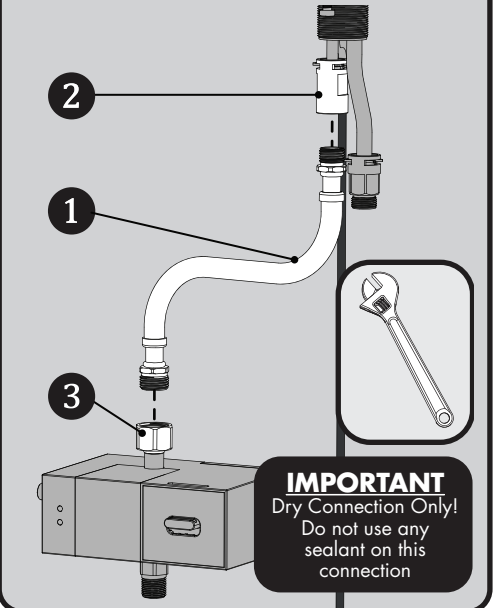
3 This Faucet has a integral swivel feature. Verify sweep of Faucet Spout and align properly before securing Faucet Spout into final position.
NOTE: The SPEAKMAN logo at the base of the faucet should be facing front when installed properly.



4 Align Mounting Nut (1) so the Mounting Nut Screws (2) are aligned towards the front and rear of faucet as shown below. Final tighten Mounting Nut Screws (2) using a Phillips Screwdriver.

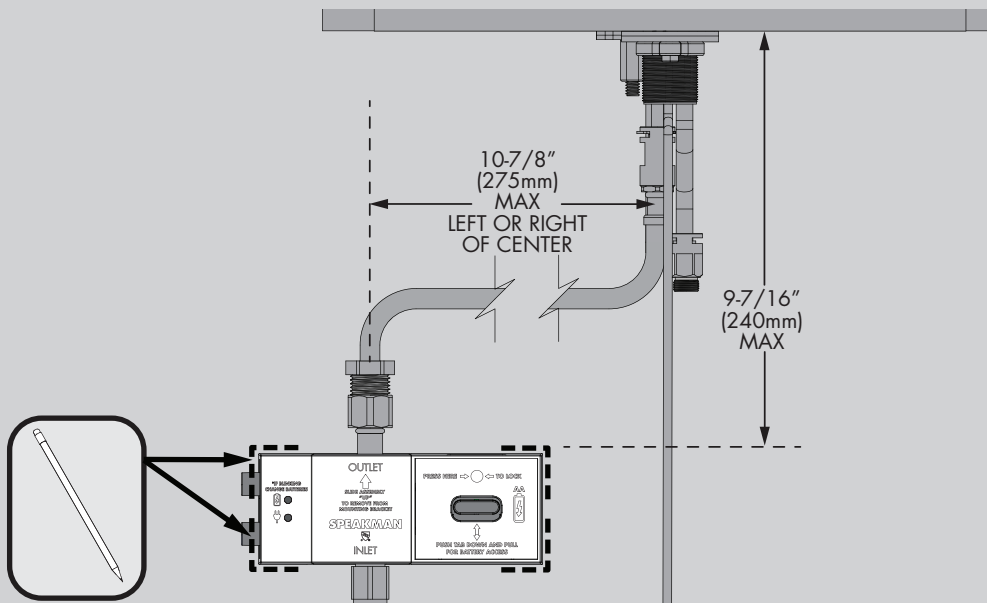


5 Install one end of the Included Flex Hose (1) to the Female Inlet (2) of the faucet. Install the remaining end of the Included Flex Hose to the OUTLET of the Solenoid (3). Wrench tighten.

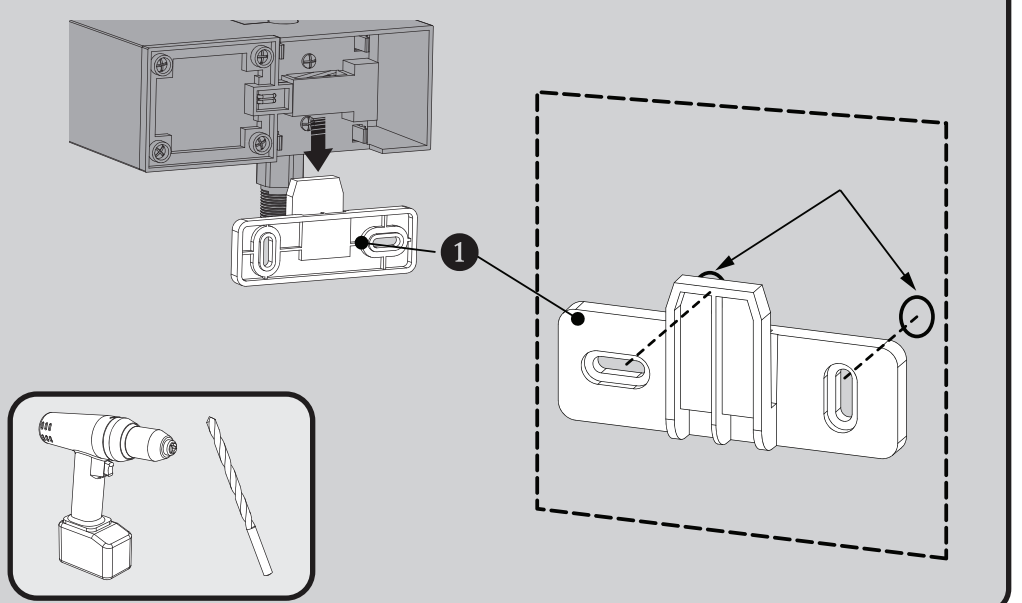


IMPORTANT
Dry Connection Only!
Do not use any sealant on this connection

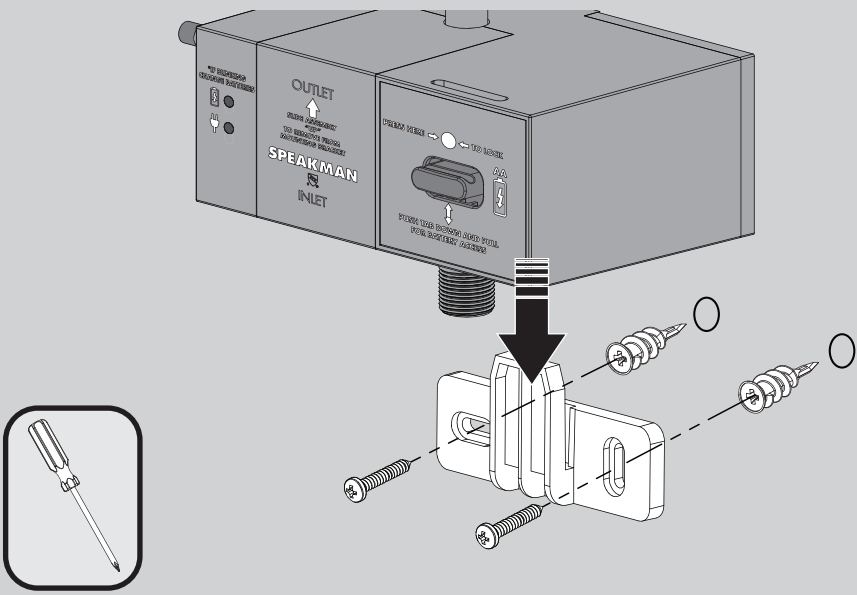
6 Place the Solenoid Assembly against the desired mounting surface while ensuring adequate clearance for servicing of all connections. If using the optional A/C Adapter, consider the distance to the nearest electrical outlet. Solenoid Assembly should be mounted so the inlet and outlet ports are aligned vertically. Mark location of Solenoid Assembly on the mounting surface using a pencil.



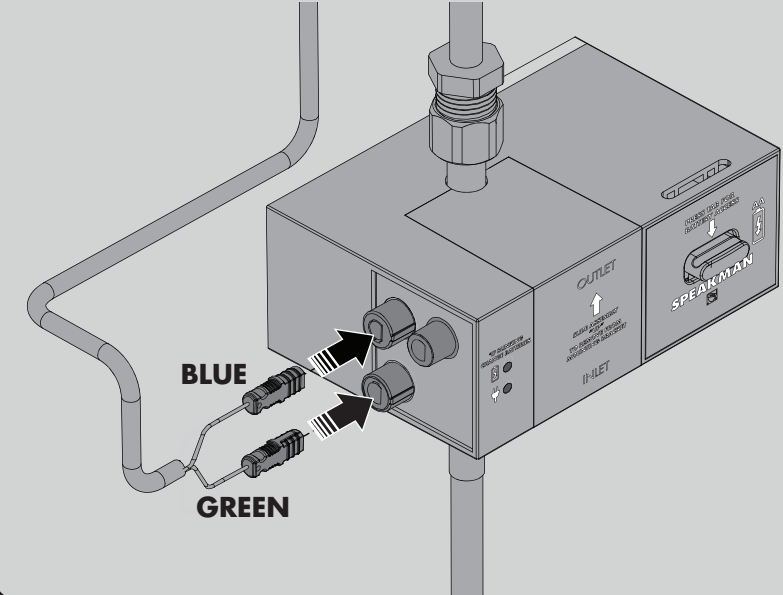
7 Remove Mounting Bracket (1) from Solenoid Assembly. Using the previously marked location on mounting surface, align Mounting Bracket (1) horizontally to approximate position and mark the mounting locations with a pencil. If mounting on drywall and not to stud, use the appropriate anchors and fasteners for application. Recommend screw in easy anchor or equal for drywall.



8 After securing the Bracket to the mounting surface, align and slide Solenoid Assembly over Mounting Bracket.

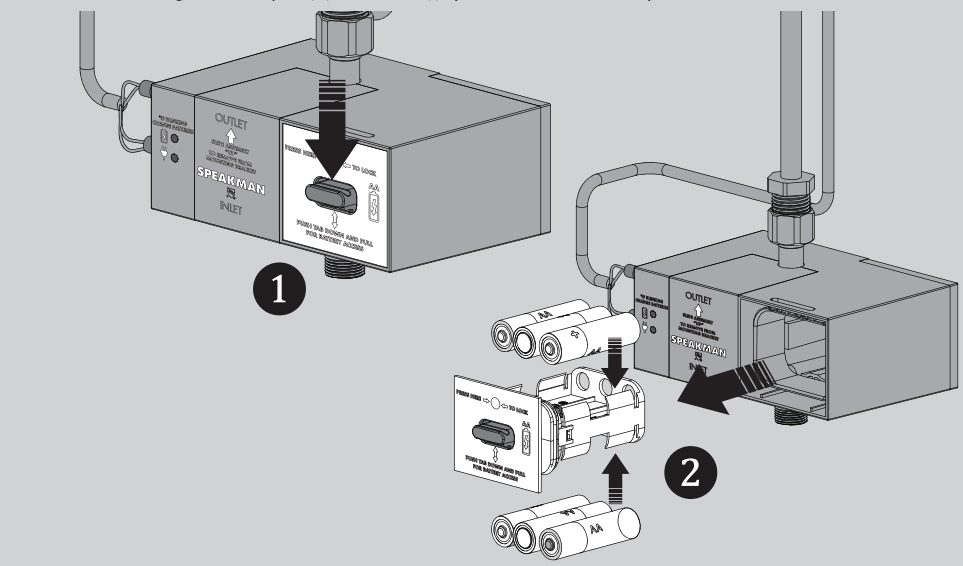


9 Make electrical connections from the Sensor Eye to the Solenoid Assembly. Connect the Blue Male Ended Wire to the Blue Female Connection. Connect the Green Male Ended Wire to the Green Female Connection. To further aid proper alignment, there are white alignment lines on the connector ends. These alignment lines should face forward when properly installed.



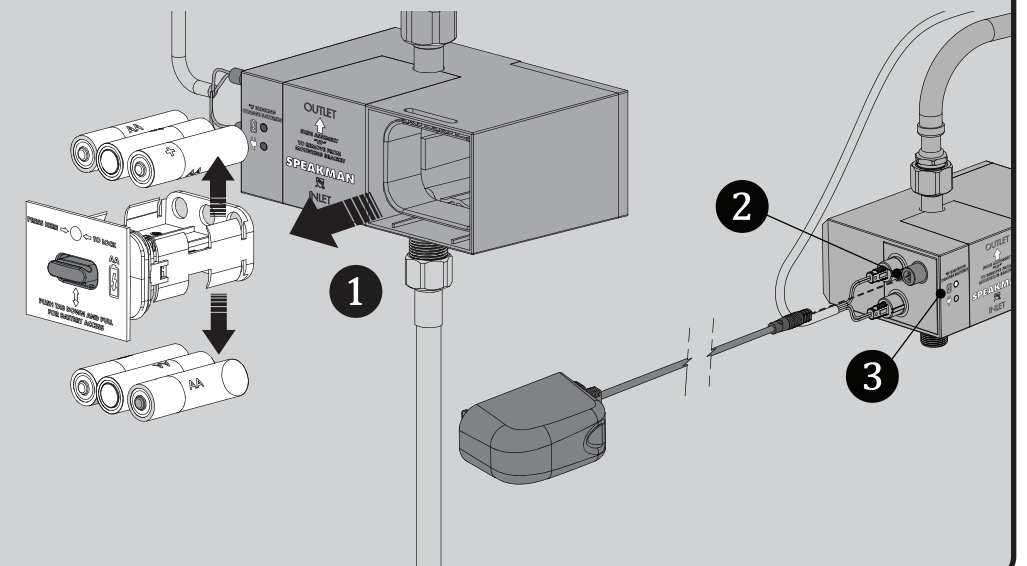
10 FOR BATTERY MODELS (SEF-18100 SERIES)

Access the interior Battery Enclosure by pressing down on the tab to release the tray holding the batteries (1). Pull out Battery Tray (2). Insert or replace the batteries with six (6) new standard 1.5v AA batteries. Ensure the position of the new batteries are aligned to the plus (+) and minus (-) symbols within the battery holder.

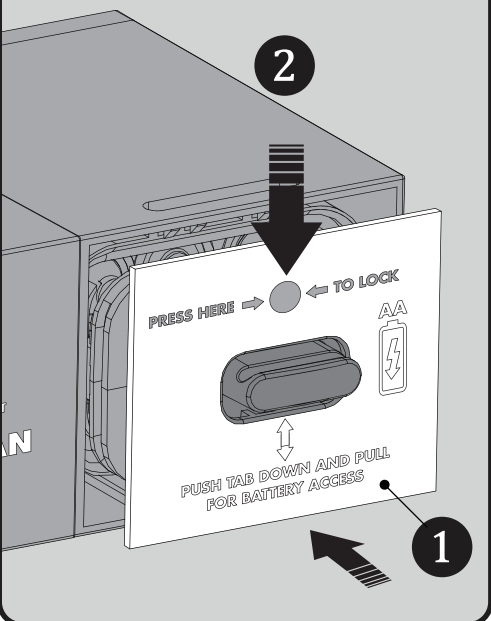


11 FOR A/C MODELS (SEF-18200 SERIES)

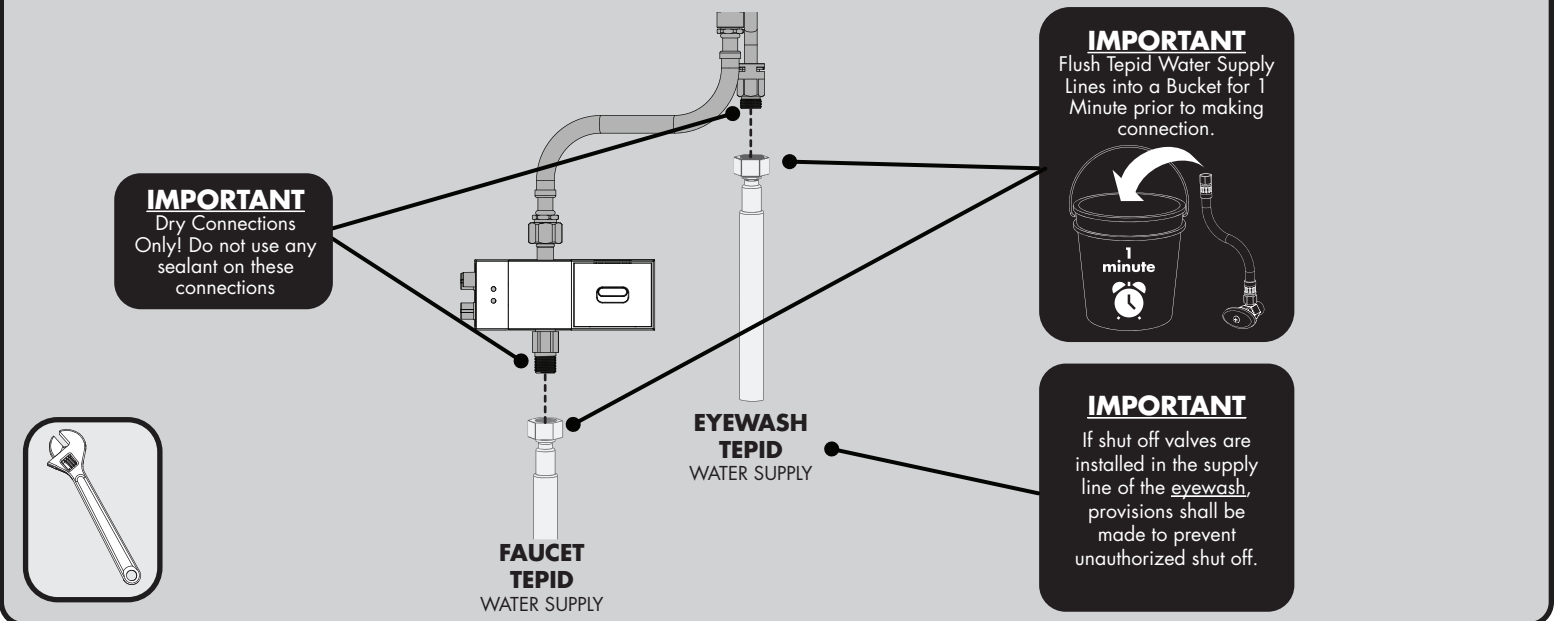
Verify that no batteries are present within the battery enclosure (1). Connect the A/C Adapter to the BLACK connector on the Solenoid Body (2). Plug the A/C Adapter into the wall outlet. The A/C light (3) should illuminate.



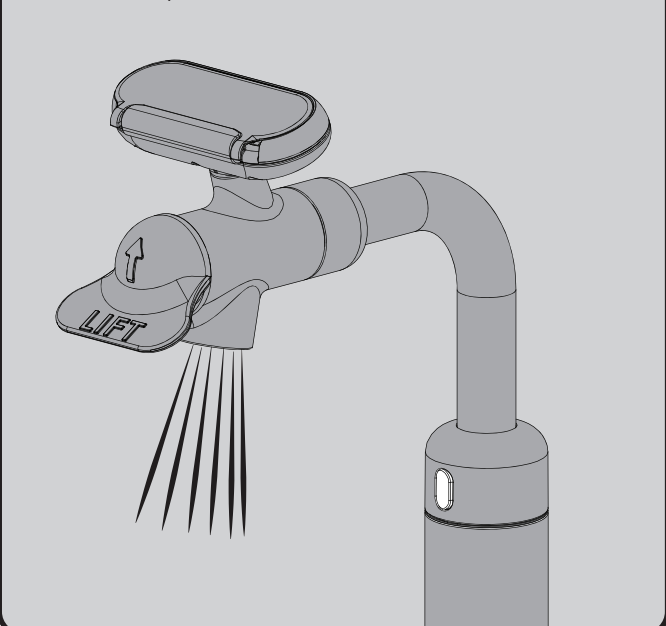
12 Reinstall the Battery Tray (1). Make sure to press the indicated location until the battery door is fully seated and locks into position (2).



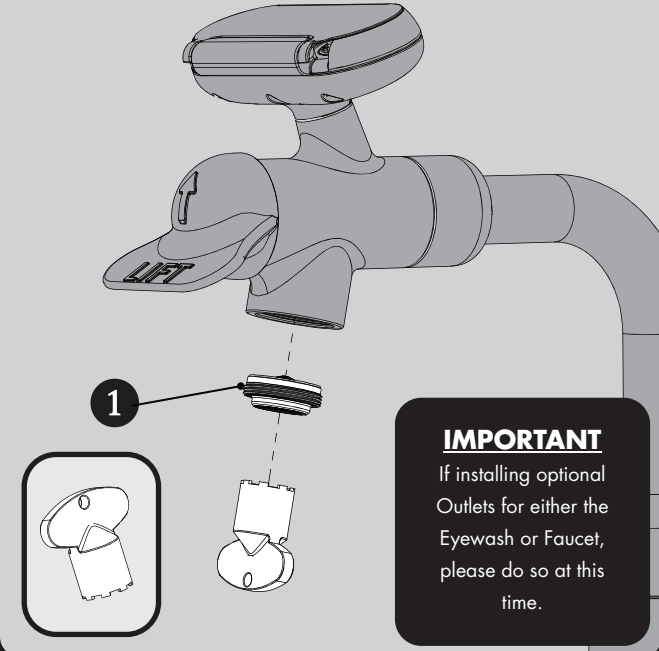
13 Make **TEPID WATER** connection to the inlet of the Eyewash supply. A Speakman **STW Series** Thermostatic Mixing Valve is recommended (not included). Make **WATER** connection to the inlet of the Solenoid. A Speakman **A-TMV** Thermostatic Mixing Valve is recommended (not included). Inlet supplies are not included. Wrench tighten connections.



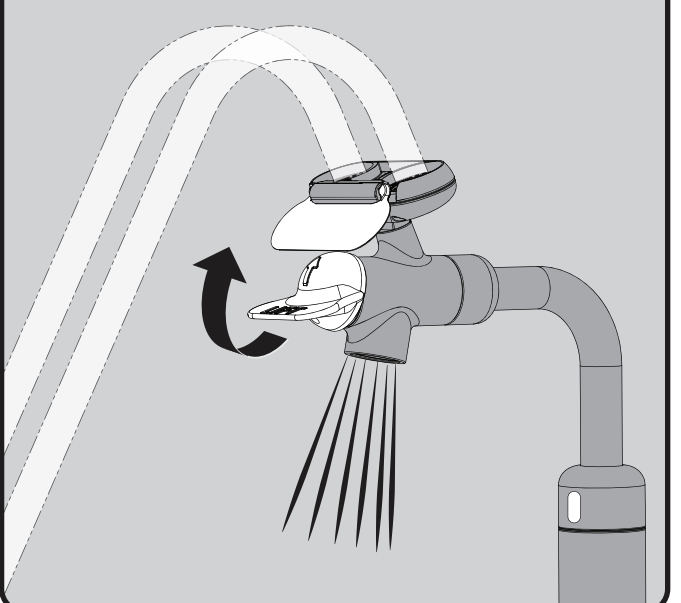
14 After the assembly is complete, turn the Faucet and Eyewash water supplies on. Activate Sensor and allow Faucet to run for 1 minute to flush out any debris. Check all connections for leaks.



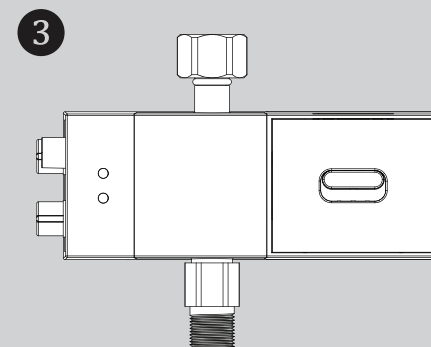
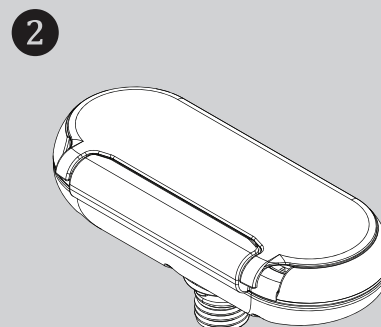
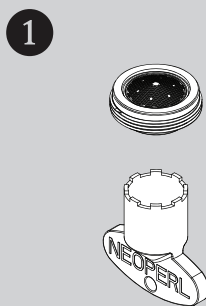
15 Install Aerator (1) into the Faucet Outlet. Secure with included Aerator Wrench.



16 Activate Faucet and test for proper operation. **NOTE: Before testing, you must remove tape from Eyewash Dust Cap.** Lift Eyewash Handle to activate Eyewash and test for proper operation. See "EYEWASH FLOW DATA" chart. Check all connections for leaks.



ITEM NO.	PART NO.	DESCRIPTION
1	RPG05-111352	1.2GPM SLIM AIR AERATOR REPAIR GROUP
2	RPG38-110458	SPRAY HEAD REPAIR GROUP
3	RPG76-108060	SOLENOID BOX WITHOUT BATTERIES



CARE AND CLEANING

- 1) Your EYESAVER® Faucet is designed and engineered in accordance with the highest quality and performance standards. With proper care, it will provide years of hygienic and trouble-free service.
- 2) Periodically, the Faucet will require some minor maintenance to keep it at peak performance. There are 2 low battery indicator lights. One located on the Sensor on the Faucet body and the other located on the Solenoid Box. When the low battery light on the Sensor blinks, it indicates that the battery is low. However, the Solenoid can still function at this point. When the low battery light on the Solenoid blinks, the Solenoid will stop functioning at this point and the batteries need to be replaced immediately. To replace the batteries, follow the installation instructions in the electrical connections section of this document.
- 3) Periodically clean the In-Line Filter.
- 4) The polished chrome finish of your Faucet should be cleaned using mild soap and warm water.
- 5) Dry immediately with a soft, clean cloth for best results.
- 6) NEVER use abrasive cleaners, chemicals, alcohol or other solvents. They may damage the surfaces of the non-chrome plated finishes.

TROUBLESHOOTING

If water flow from the Faucet decreases:

- 1) Make sure the supply stops are open.
- 2) Check that the In-line Filter located in the hose connecting the solenoid and the mixer is not blocked with debris. Remove filter from the Solenoid Inlet and rinse filter screen with clean water. Reassemble the filter, open stops, and check water flow. Stops must be turned off when filter is removed.
- 3) Remove the Aerator from the spout using the outlet wrench. Operate the Faucet with outlet device removed. If water flow is acceptable, disassemble the outlet device and rinse components with clean water.

If no water flows from the Faucet, and

If you can hear a clicking sound of Solenoid opening, but no water flows:

- 1) Verify that the HOT and COLD wall stops are completely open.
- 2) If the Battery Light within the Sensor Eye or Solenoid blinks continuously, even when the Faucet is not in use, the batteries within the Solenoid have low voltage and need replacement.
- 3) Verify that the In-Line Filter in the Solenoid is not blocked by debris. Clean filter if needed.

If you do not hear a clicking sound of Solenoid opening and no water flows:

- 1) If the Battery Light within the Sensor Eye blinks continuously, even when the Faucet is not in use, the batteries within the Solenoid have low voltage and need replacement.
- 2) Unplug connections to Solenoid for 2 minutes. Plug connections back in. The red light on the Sensor should turn on for several seconds before becoming operational. If not, check power supplies and connections.
- 3) Disconnect the existing Solenoid Assembly and connect a new Solenoid Assembly. Activate the Sensor and check for water flow. If the water flows, the existing Solenoid Assembly should be replaced.

If the batteries have been replaced, but the Faucet still does not operate:

- 1) Check the battery polarity and electrical connections. Make sure all electrical connections are fully inserted.
- 2) If the Faucet does not operate, replace the existing Solenoid Assembly with one you know to be functioning.

If the Faucet activates, but the water will not shut off:

- 1) Hold a hand in front of the Sensor at up to 7" away for more than 1 minute until the water flow stops. Once the water stops, remove your hand and wait 15 seconds. Then place your hand in front of the Sensor and verify that it is operating properly.
- 2) If the Faucet still does not shut off, cover the front of the sink with a towel. This will eliminate the potential of reflections activating the Sensor.
- 3) If it is a new installation and still not working, replace the Solenoid Assembly.

QUESTIONS & ANSWERS

Q. How does the Sensor Faucet work?

A. It uses laser technology. The Sensor emits a non-visible beam of light. When an object enters the detection area, the Sensor signals the Solenoid Valve to open for water to flow. When an object leaves the detection area, the Sensor signals the valve to close.

Q. Is the Sensor Faucet sensor beam adjustable?

A. No, the Sensor Faucet sensor beam is not adjustable. It has been factory set to factory specifications for these Faucets.

Q. What about water conservation?

A. The Sensor faucet design directly addresses water conservation. Water savings of up to 85% are not unusual. Additional energy savings are realized by conserving hot water.

Q. Can the water temperature of the Sensorflo® Faucet be adjusted?

A. No, If you need to meet ASSE 1070, you must use our TMV (Thermostatic Mixing Valve) option.

Q. Does Sensorflo® reduce maintenance?

A. By elimination of on/off handles, control components are reduced and fittings stay cleaner longer. Only a light rinsing and wiping is required to restore the beauty of the Eyesaver® Faucets. Drip stains are eliminated. Fingerprints and soap spots on sinks and fittings are avoided. Finishes last longer and wash areas stay cleaner. Germs and bacteria are not transferred as easily making for a healthier environment.

Q. The chrome finish on my Faucet seems to be deteriorating. What can I do to prevent this from happening?

A. Many commercial cleaning products contain harsh chemicals and abrasives. These products should not be used on any chrome-plated plumbing products. Please use only mild soap and water to clean the Faucet. Dry immediately with a soft cloth.

Q. Does the Sensor system shut off immediately when an object leaves the sensing area?

A. A very short delay of approximately 0 to 1.5 seconds occurs before water is shut off.

Q. Is my Faucet protected from power surges?

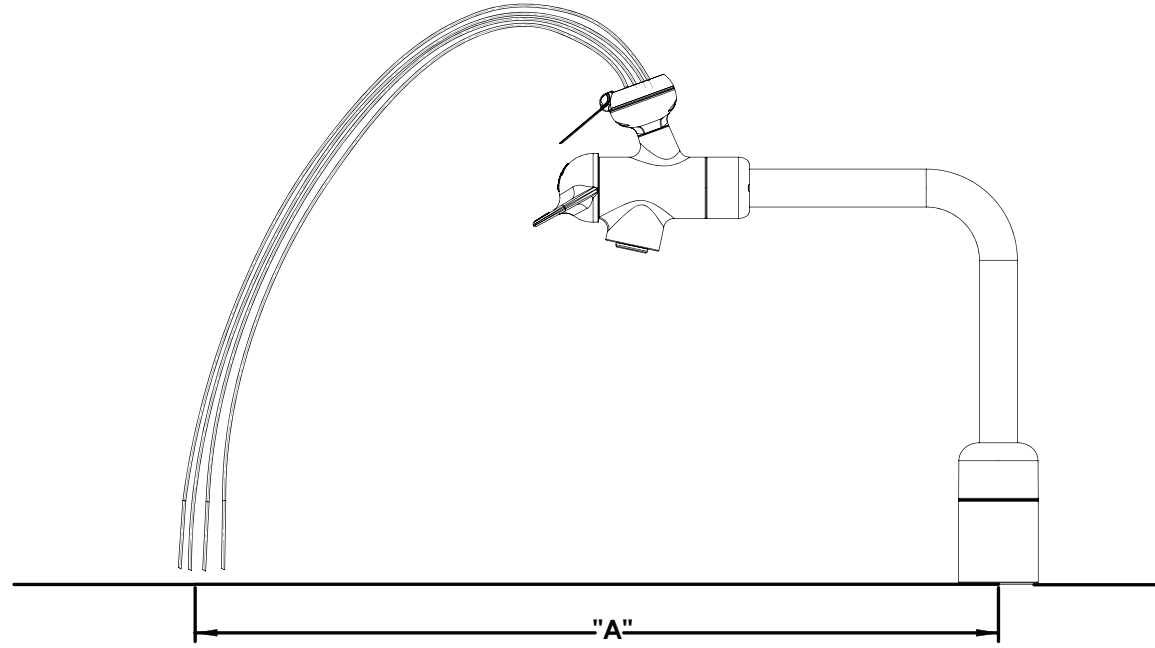
A. Yes, this Sensor Faucet has been designed to have built-in power surge protection.

Q. If we lose power, do I have to do something to get the Faucet to operate again?

A. After a power outage, the Sensor Faucet is automatically ready for operation as soon as the power comes back on.

Q. If I call a plumber to come and install this Faucet, will they know enough to hook it up?

A. Our installation diagrams are very easy to follow.



SEF-18100					
FLOWING PRESSURE		FLOW RATE		PLUME DISTANCE "A"	
psi	bar	gpm	L/min	in.	cm
30	2.07	19	7.2	9.5	24.13
40	2.76	2.1	7.9	10.5	26.67
50	3.45	2.2	8.3	10.65	27.31
60	4.14	2.1	7.9	10.5	26.67
70	4.83	2.2	8.3	11	27.94
80	5.52	2.3	8.7	11.5	29.21

SEF-18100-NA					
FLOWING PRESSURE		FLOW RATE		PLUME DISTANCE "A"	
psi	bar	gpm	L/min	in.	cm
30	2.07	19	7.2	9.5	24.13
40	2.76	2.1	7.9	10.5	26.67
50	3.45	2.2	8.3	10.65	27.31
60	4.14	2.1	7.9	10.5	26.67
70	4.83	2.2	8.3	11	27.94
80	5.52	2.3	8.7	11.5	29.21

SEF-18100-8					
FLOWING PRESSURE		FLOW RATE		PLUME DISTANCE "A"	
psi	bar	gpm	L/min	in.	cm
30	2.07	176	6.7	115	29.21
40	2.76	2.03	7.7	13	33.02
50	3.45	2.18	8.3	14	35.56
60	4.14	2.1	7.9	13	33.02
70	4.83	2.1	7.9	13.5	34.29
80	5.52	2.2	8.3	13.75	34.93

SEF-18100-8-NA					
FLOWING PRESSURE		FLOW RATE		PLUME DISTANCE "A"	
psi	bar	gpm	L/min	in.	cm
30	2.07	176	6.7	115	29.21
40	2.76	2.03	7.7	13	33.02
50	3.45	2.18	8.3	14	35.56
60	4.14	2.1	7.9	13	33.02
70	4.83	2.1	7.9	13.5	34.29
80	5.52	2.2	8.3	13.75	34.93

NOTE: If plume heights are low, check to ensure that your supply valves are fully open. If there is a noticeable height difference between the two plumes, remove the aerators and flow controls and remove any debris that would inhibit the flow of water.

NOTES:

COMPLIANCE:

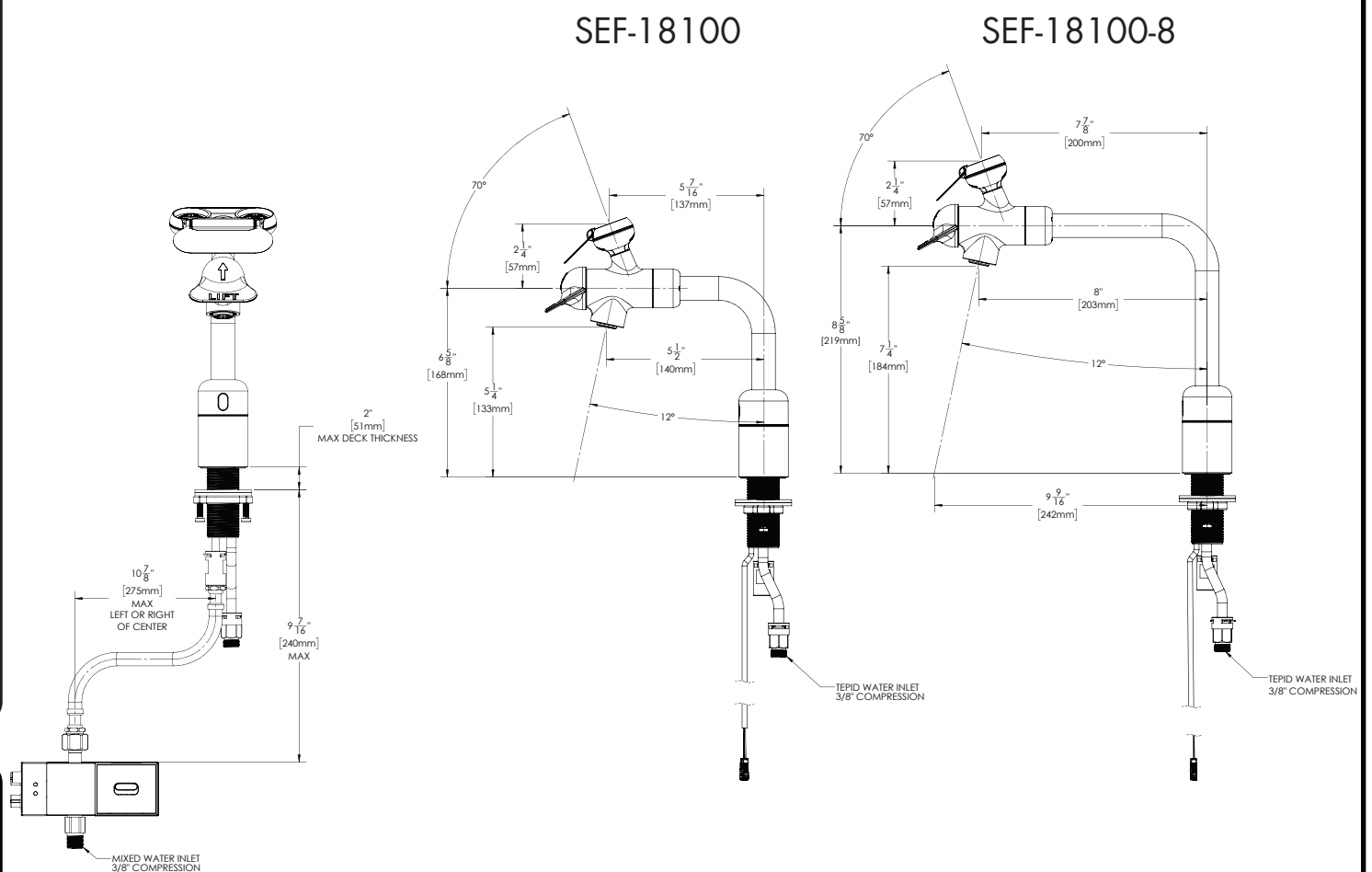
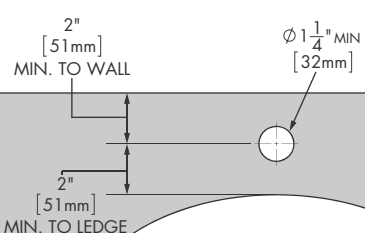
- ANSI/ISEA Z358.1 certified
- ASME A112.18.1/CSA B125.1 certified
- IGC 272 certified
- NSF/ANSI 61 certified
- NSF 372 certified

CONNECTIONS:

- Faucet Inlet: 3/8" compression
- Eyewash Inlet: 3/8" compression

Contractor to supply necessary inlet connections.

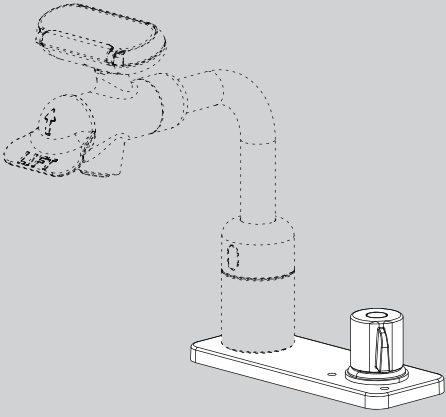
LAVATORY ROUGH-IN



NOTE: UNLESS OTHERWISE SPECIFIED, ALL INLETS ARE 3/8" COMPRESSION WITH MALE THREADS. UNLESS OTHERWISE SPECIFIED, ALL DIMENSIONS ARE IN INCHES AND ARE SUBJECT TO CHANGE WITHOUT NOTICE.

INSTRUCTIONS FOR MODELS

ACM Above Counter Mixer



* YOUR FAUCET MAY DIFFER IN APPEARANCE TO ITEM SHOWN, IT WILL INSTALL WITH IN THE SAME MANNER.

NEED HELP?

For additional assistance or service please contact:

SPEAKMAN®

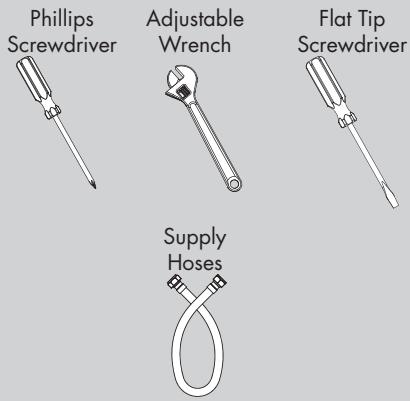
800-537-2107

customerservice@speakman.com

www.speakman.com

92-ACM-01

TOOLS AND SUPPLIES



IMPORTANT

- The supply line for the eyewash shall provide an uninterrupted supply of flushing fluid at a minimum of 30 psi flowing pressure. If shut off valves are installed in the supply line of the eyewash, provisions shall be made to prevent unauthorized shut off. ANSI Z358.1 requires that all emergency equipment shall be tested weekly to verify proper operation and inspected annually to assure conformance with ANSI Z358.1 requirements.

- Do not over-tighten any connections or damage may occur.
- Be sure to read instructions thoroughly before beginning installation.
- This faucet has an operating range of 20-80 psi.
- This installation manual covers several models. While the appearance of your faucet may vary, the installation steps required are the same as shown in this manual.

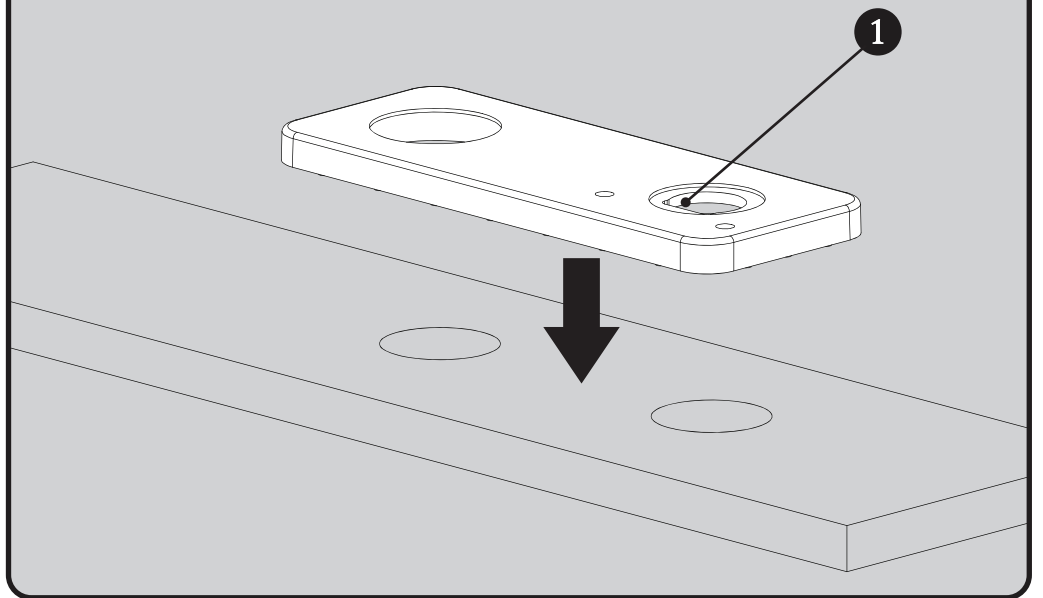
SAFETY TIPS

Cover your drain to prevent loss of parts. Be sure to wear eye protection while cutting pipe.

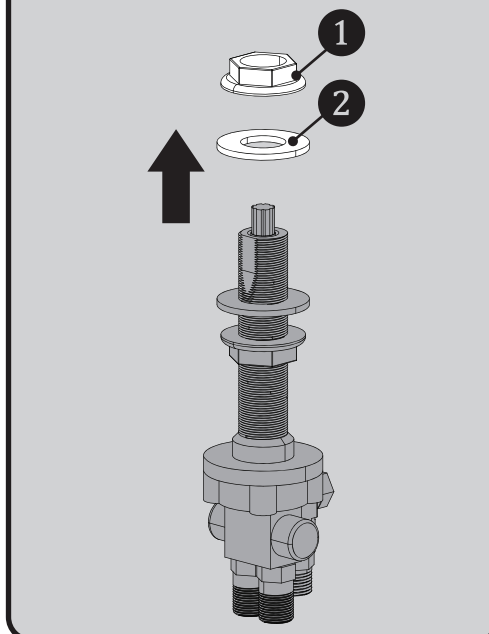
WARRANTY

Warranty information can be found at: www.speakman.com

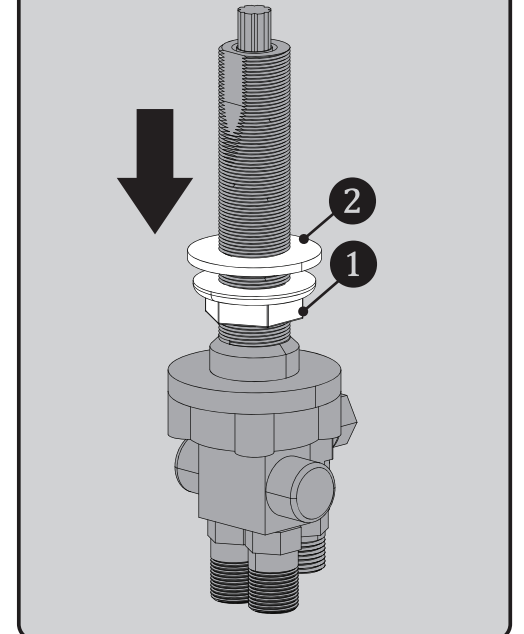
1 Orient the deck plate as shown below. The through hole with the RED insert should be on the right side. Place the Deck Plate (1) on the desired mounting surface.



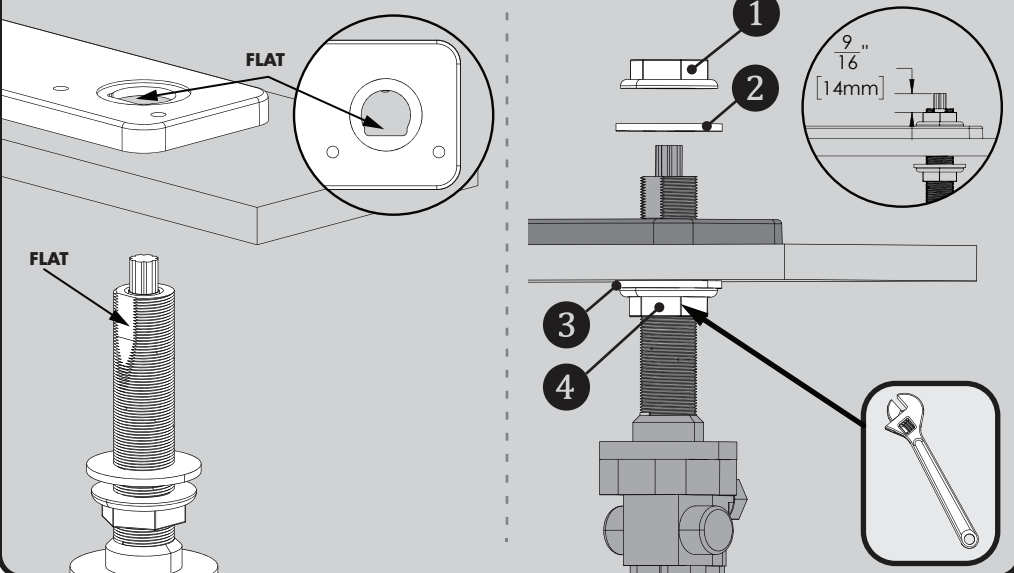
2 On the Valve Assembly, remove the Upper Mounting Nut (1) and Upper Washer (2).



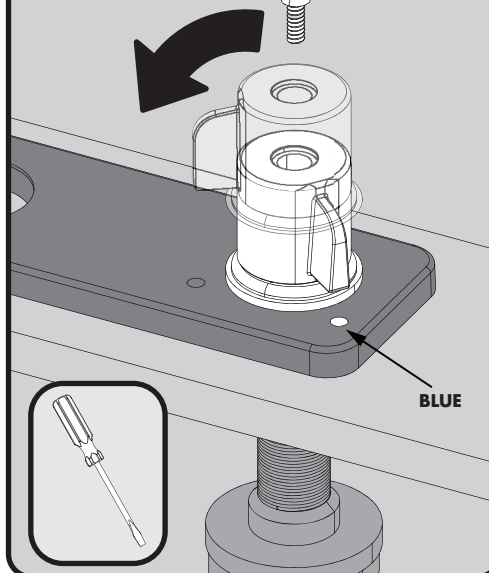
3 Thread the remaining Bottom Nut (1) and Rubber Washer (2) to the bottom of the Valve Assembly.



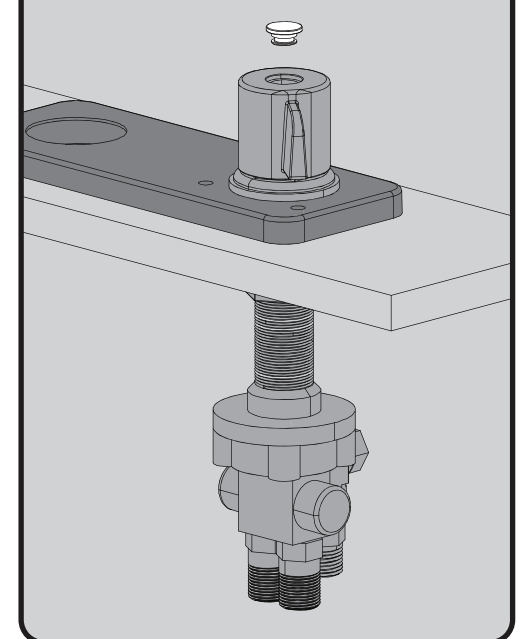
4 Orient Valve assembly as shown below. Align the flat edge of the Valve Body with the flat edge on the Deck Plate. From below, install the Valve Body up through mounting holes. From above, reinstall the Upper Washer (2) and Upper Mounting Nut on top (1). The Valve body should protrude from Upper Flange Nut approximately 9/16". Once this is set, tighten Rubber Washer (3) and Lower Mounting Nut (4) to secure into position. Wrench tighten. Take care to not over-tighten connections or damage may occur.



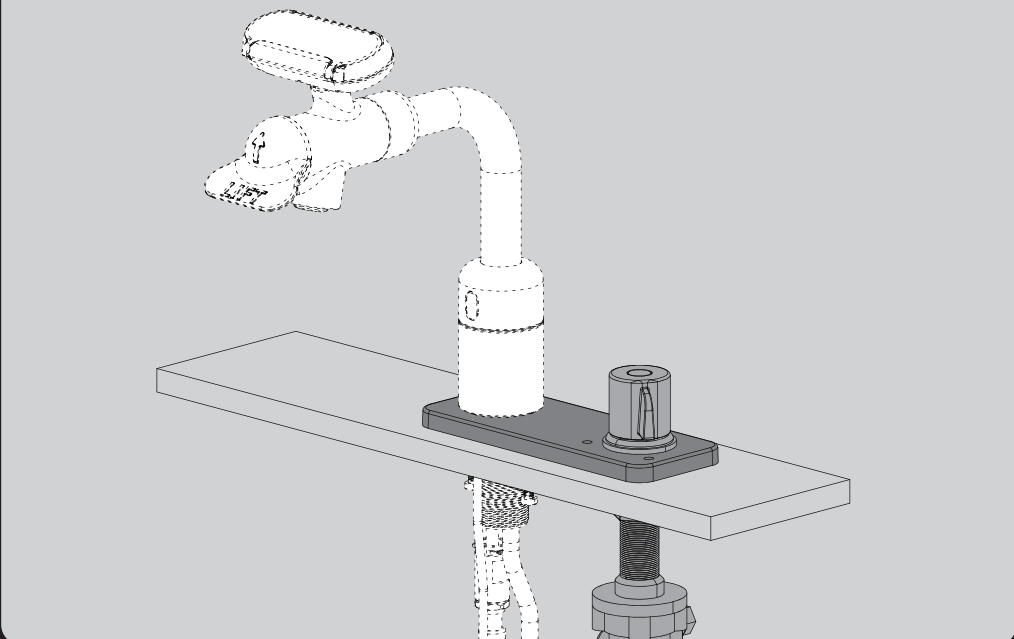
5 Loosely install Handle and rotate counter-clockwise until it stops. Remove Handle and reinstall aligning the handle flat with the Blue icon. Tighten and secure the Handle with the Screw using a Flat Tip screwdriver.



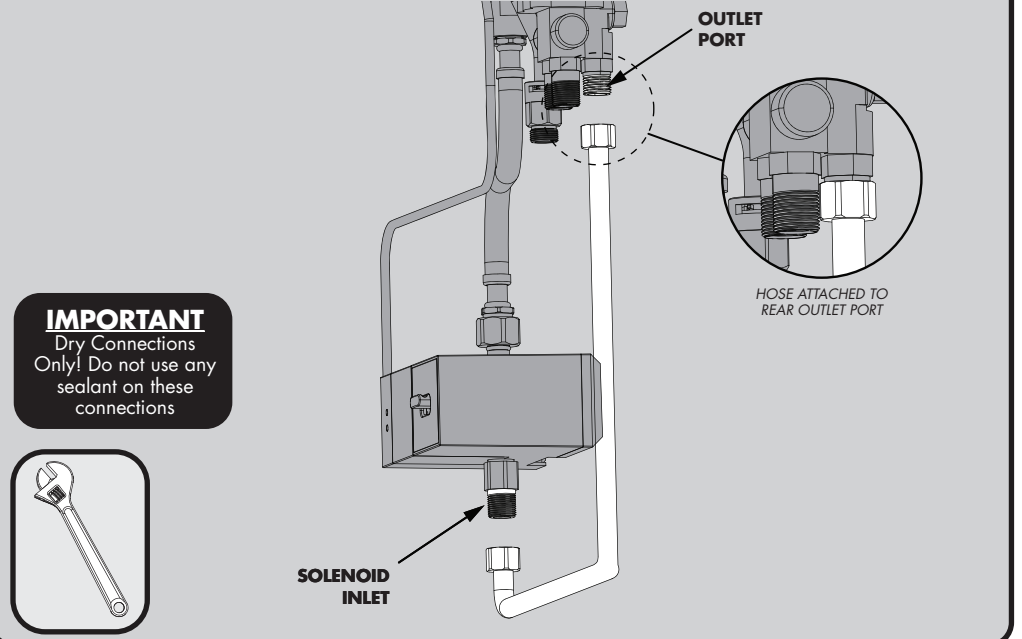
6 Install the Index Button by pressing it in. Make sure the Index Button sits flush with the handle top.



7 Install the Speakman SEF-18X00 Sensor Eyesaver Faucet by following the installation manual of your model. **Do not connect the solenoid inlet connection and do not flush the system at this time.**



8 After installing the faucet, connect the INLET of the Solenoid to the OUTLET connection of the Mixer Valve using the provided Flexible Hose.



9 Connect the Cold and Hot water supplies (not included) to the INLET of the Mixer Valve. Wrench tighten all connections.

IMPORTANT
Dry Connections Only! Do not use any sealant on these connections

HOT INLET 3/8" COMPRESSION

COLD INLET 3/8" COMPRESSION

10 After the assembly is complete, turn the Faucet and Eyewash water supplies on. Activate Sensor and allow Faucet to run for 1 minute to flush out any debris. Check all connections for leaks.

11 Install Aerator (1) into the Faucet Outlet. Secure with included Aerator Wrench.

1

IMPORTANT
If installing optional Outlets for either the Eyewash or Faucet, please do so at this time.

12 Activate Faucet and test for proper operation. **NOTE: Before testing, you must remove tape from Eyewash Dust Cap.** Lift Eyewash Handle to activate Eyewash and test for proper operation. See "EYEWASH FLOW DATA" chart. Check all connections for leaks.

ACM REPAIR PARTS

SPEAKMAN®

1

ITEM NO.	PART NO.	DESCRIPTION
1	G20-1844	ABOVE COUNTER MIXER VALVE

ROUGH-IN DIAGRAM

SPEAKMAN®

NOTES:

COMPLIANCE:

- ASME A112.18.1/CSA B125.1 certified
- NSF/ANSI 61 certified
- NSF 372 certified

FLOW DATA:

- DETERMINED BY FAUCET MODEL. REFER TO INSTRUCTION MANUAL OF YOUR FAUCET MODEL.

CONNECTIONS:

- Mixer Inlets: 3/8" Compression

Contractor to supply necessary inlet connections.

LAVATORY ROUGH-IN

2" [51mm] MIN. TO WALL

4" [102mm]

2" [51mm] MIN. TO LEDGE

2" [51mm] MAX DECK THICKNESS

10 7/8" [275mm] MAX LEFT OR RIGHT OF CENTER

6 1/2" [165.10mm]

4in [101mm]

1 15/64" [31.43mm]

HOT INLET 3/8" COMPRESSION

COLD INLET 3/8" COMPRESSION

NOTE: UNLESS OTHERWISE SPECIFIED, ALL INLETS ARE 3/8" COMPRESSION WITH MALE THREADS. UNLESS OTHERWISE SPECIFIED, ALL DIMENSIONS ARE IN INCHES AND ARE SUBJECT TO CHANGE WITHOUT NOTICE.