

Eyesaver® AC Powered Sensor Eyewash

MODELS:

- SEF-18207: Eyesaver® AC Powered Sensor Eyewash
- SEF-18207-8: Eyesaver® AC Powered Sensor Eyewash w/ 8 in. Spout

EYEWASH FEATURES:

- Independent water channel for eyewash
- Brass Spindle Valve
- Lift handle activation
- (2) Dedicated Optimus® aerated eyewash sprays with flip top dust caps
- 2.0 GPM (7.6 L/min) @ 30 PSI flow rate
- 1/2" NPT male inlet

FAUCET FEATURES:

- Low-lead brass construction
- Sensor eye integrated into front of faucet body for easy activation
- AC powered Sensor
- Solenoid life exceeds 2.7 million cycles
- 1.2 GPM (4.5 L/min) flow rate
- Inlet supply 3/8" compression with male threads
- Manual override configuration allows for a mechanical method to activate the faucet in the event of power loss

OPTIONS/ADD ONS:

- A-SEF-NA: Non-aerated eyewash outlets
- SEF-TW: Thermostatic Mixing Valve for tepid water during eyewash usage
- 8: 8" Gooseneck spout for faucet
- A-SEF-BOLF: 0.5 GPM (1.89 L/min) faucet flow control and 1.5 GPM (5.7 L/min) laminar faucet flow control kit
- A-SEF-ST: Serrated tip for faucet with vacuum breaker (Not NSF 61/372 compliant)
- A-TMV: Thermostatic mixing valve for tepid water during faucet usage

STANDARDS:

- ANSI/ISEA Z358.1 certified
- ASME A112.18.1/CSA B125.1 certified
- IGC 272 certified
- NSF/ANSI 61 certified
- NSF/ANSI 372 certified

WARRANTY:

Visit www.speakman.com for full product warranty information

- 3 Year Limited Warranty (commercial)



Information continues on next page

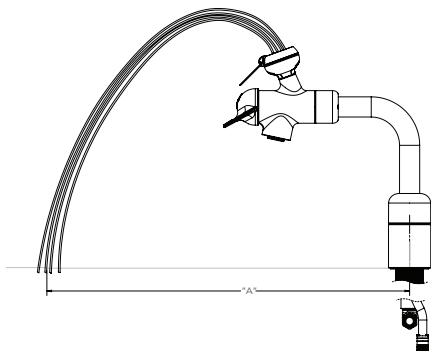
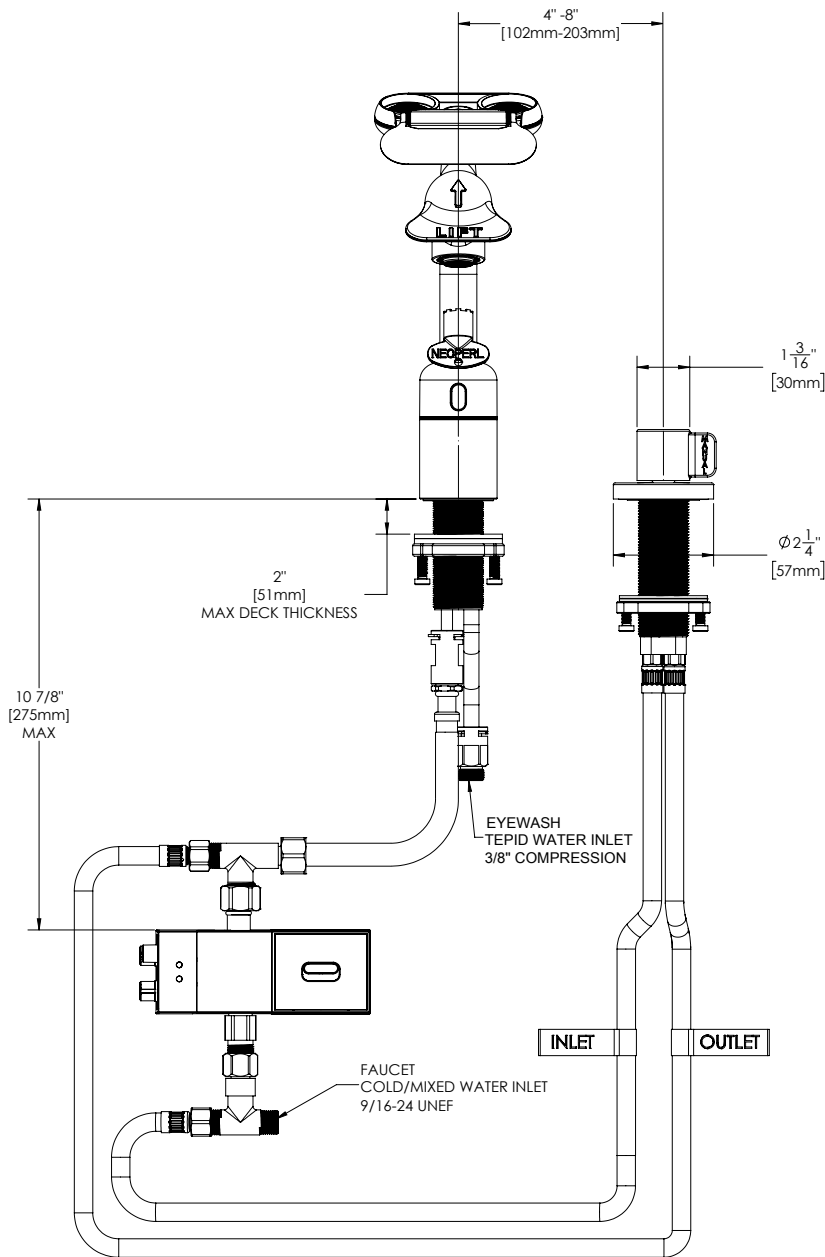
ENSURE YOU ARE ANSI/ISEA Z358.1 Tepid Water Compliant by incorporating Speakman's 9.7 GPM Thermostatic Mixing Valve.	
	<ul style="list-style-type: none"> • STW-370: Thermostatic Mixing Valve (valve only) • SEF-TW: Thermostatic Mixing Valve with necessary connections for SEF products

All dimensions are in inches (millimeters) unless otherwise specified and are subject to change without notice.

Architect/Engineer Approval Space:

P: 800-537-2107
F: 800-977-2747
W: WWW.SPEAKMAN.COM
R: 03-JANUARY 2020

Eyesaver® AC Powered Sensor Eyewash



SEF-1800-SL Spray Plume Length and Flow

Flowing Pressure	30 psi 2.07 Bar	40 psi 2.76 Bar	50 psi 3.45 Bar	60 psi 4.14 Bar	70 psi 4.83 Bar	80 psi 5.52 Bar
Flow Rate	gpm	gpm	gpm	gpm	gpm	gpm
Eyewash Distance Plume "A"	L/min	L/min	L/min	L/min	L/min	L/min
	"	"	"	"	"	"
	cm	cm	cm	cm	cm	cm

SEF-1800-SL-8 Spray Plume Length and Flow

Flowing Pressure	30 psi 2.07 Bar	40 psi 2.76 Bar	50 psi 3.45 Bar	60 psi 4.14 Bar	70 psi 4.83 Bar	80 psi 5.52 Bar
Flow Rate	gpm	gpm	gpm	gpm	gpm	gpm
Eyewash Distance Plume "A"	L/min	L/min	L/min	L/min	L/min	L/min
	"	"	"	"	"	"
	cm	cm	cm	cm	cm	cm

All dimensions are in inches (millimeters) unless otherwise specified and are subject to change without notice.

Architect/Engineer Approval Space:

P: 800-537-2107
 F: 800-977-2747
 W: WWW.SPEAKMAN.COM
 R: 03-JANUARY 2020