

AC Powered 8 in. Deck Plate Faucet with Integrated Eyewash

EYEWASH FEATURES:

- Pull handle activator
- Dedicated water channel for eyewash
- Aerated yellow plastic spray outlets with flip-top dust caps
- 2.9 gpm flow rate at 30 psi.

FAUCET FEATURES:

- 3/8 in. compression connections with male threads for hot and cold inlets
- Sensor AC powered
- 2.2 gpm (8.3 L/min) flow rate
- Includes thermostatic faucet mixing valve

OPTIONS:

- 8: 8 in. gooseneck spout
- BO: Vandal resistant 0.5 gpm flow control
- LF: Laminar flow outlet 1.5 gpm
- NA: Non-aerated eyewash outlets
- ST: Serrated tip with vacuum breaker (Not NSF 61/372 compliant)
- TW: SE-370 Thermostatic mixing valve

STANDARDS:

- ANSI/ISEA Z358.1 certified
- ASME A112.18.1/CSA B125 compliant
- ADA compliant

WARRANTY:

Visit www.speakman.com for full product warranty information

- 3 Year Limited



Information continues on next page

**ENSURE YOU ARE ANSI/ISEA Z358.1
Tepid Water Compliant
by incorporating Speakman's 9.7 GPM
Thermostatic Mixing Valve.**



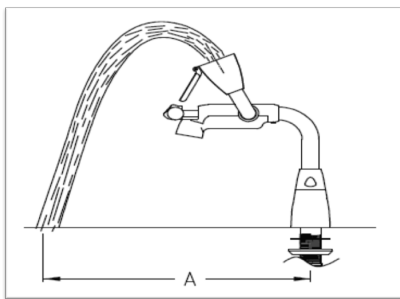
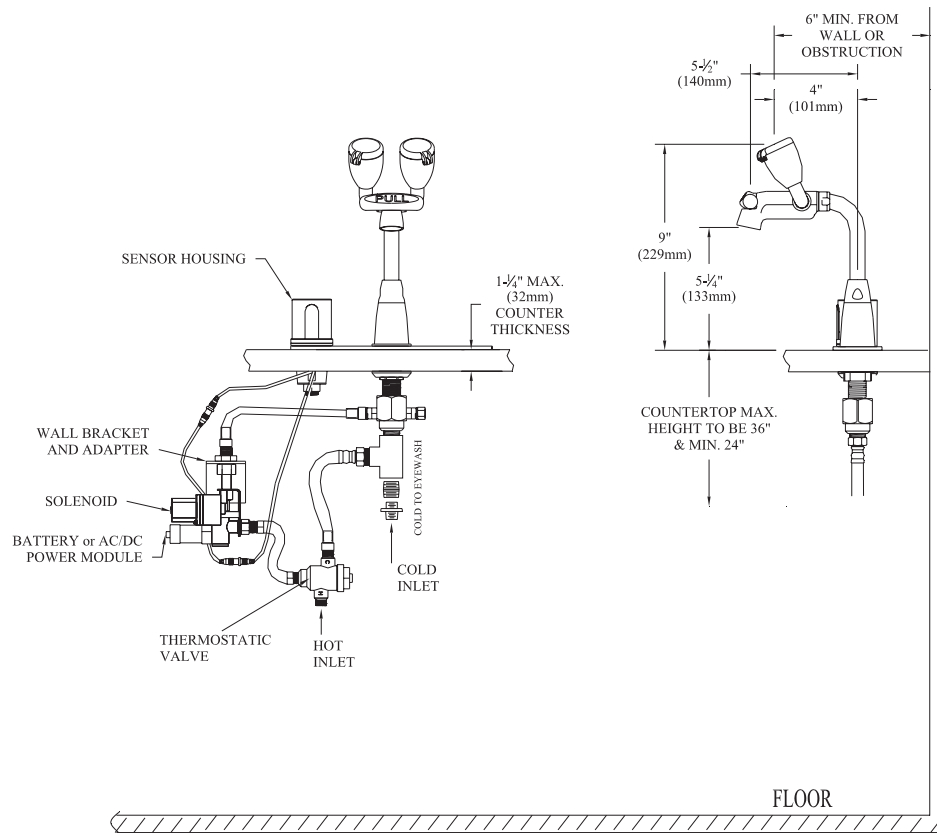
- **-TW OPTION:** Add the -TW suffix to the part number, this product ships complete with the TMV and connections
- **STW-370:** Thermostatic Mixing Valve (valve only)
- **SEF-TW:** Thermostatic Mixing Valve with necessary connections for SEF products

All dimensions are in inches (millimeters) unless otherwise specified and are subject to change without notice.

Architect/Engineer Approval Space:

P: 800-537-2107
F: 800-977-2747
W: WWW.SPEAKMAN.COM
R: 01-MAY 2022

AC Powered 8 in. Deck Plate Faucet with Integrated Eyewash



SEF-1823 Spray Plume Length and Flow

| Flowing Pressure | 30 psi 2.07 Bar | 40 psi 2.76 Bar | 50 psi 3.45 Bar | 60 psi 4.14 Bar | 70 psi 4.83 Bar | 80 psi 5.52 Bar |
|-------------------------------|------------------------|------------------------|------------------------|------------------------|------------------------|------------------------|
| Flow Rate | 2.9 gpm 11.09 L/min | 3.1 gpm 11.55 L/min | 2.9 gpm 11.13 L/min | 2.9 gpm 10.98 L/min | 2.9 gpm 10.90 L/min | 2.9 gpm 10.86 L/min |
| Eyewash Distance Plume "A" | 13.5" 34.29 cm | 14.25" 36.2 cm | 14.25" 36.2 cm | 13.75" 34.93 cm | 13.75" 34.93 cm | 13.75" 34.93 cm |

SEF-1823-8 Spray Plume Length and Flow

| Flowing Pressure | 30 psi 2.07 Bar | 40 psi 2.76 Bar | 50 psi 3.45 Bar | 60 psi 4.14 Bar | 70 psi 4.83 Bar | 80 psi 5.52 Bar |
|-------------------------------|------------------------|------------------------|------------------------|------------------------|------------------------|------------------------|
| Flow Rate | 2.9 gpm 11.09 L/min | 3.1 gpm 11.55 L/min | 2.9 gpm 11.13 L/min | 2.9 gpm 10.98 L/min | 2.9 gpm 10.90 L/min | 2.9 gpm 10.86 L/min |
| Eyewash Distance Plume "A" | 17.0" 43.18 cm | 18" 45.72 cm | 17.5" 44.45 cm | 17.0" 43.18 cm | 17.0" 43.18 cm | 17.0" 43.18 cm |

All dimensions are in inches (millimeters) unless otherwise specified and are subject to change without notice.

Architect/Engineer Approval Space:

P: 800-537-2107
 F: 800-977-2747
 W: WWW.SPEAKMAN.COM
 R: 01-MAY 2022