

Eyesaver® Retrofit Faucet with Integrated Eyewash

EYEWASH FEATURES:

- Lift handle activator
- Aerated chrome plated spray outlets with flip-top dust caps
- 2.0 gpm/7.6 L/min @ 30 psi flow rate.
- Dedicated water channel for eyewash
- Tepid water ready
- 3/8 in. male compression connection

FAUCET FEATURES:

- Lead-free brass construction
- Swivel or rigid spout up to 100 degrees
- Gooseneck faucet with independently operated eyewash
- 1.2 gpm (4.5 L/min) flow rate
- 3/8 in. male compression connections for hot & cold inlets

OPTIONS:

- 8: 8 in. gooseneck spout
- BO: Vandal resistant 0.5 gpm flow control
- LF: Laminar flow outlet 1.5 gpm
- NA: Non-aerated eyewash outlets
- ST: Serrated tip with vacuum breaker (not NSF 372 or NSF 61 compliant)
- TW: SE-370 Thermostatic mixing valve

STANDARDS:

- ASME A112.18.1/CSA B125 compliant
- NSF 61 (excludes ST option)
- NSF 372 compliant (excludes ST option)
- ANSI/ISEA Z358.1 certified
- ADA compliant

WARRANTY:

Visit www.speakman.com for full product warranty information

- 3 Year Limited



Information continues on next page

**ENSURE YOU ARE ANSI/ISEA Z358.1
Tepid Water Compliant
by incorporating Speakman's 9.7 GPM
Thermostatic Mixing Valve.**



- **-TW OPTION:** Add the -TW suffix to the part number, this product ships complete with the TMV and connections
- **STW-370:** Thermostatic Mixing Valve (valve only)
- **SEF-TW:** Thermostatic Mixing Valve with necessary connections for SEF products

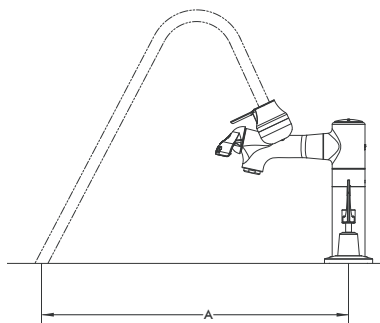
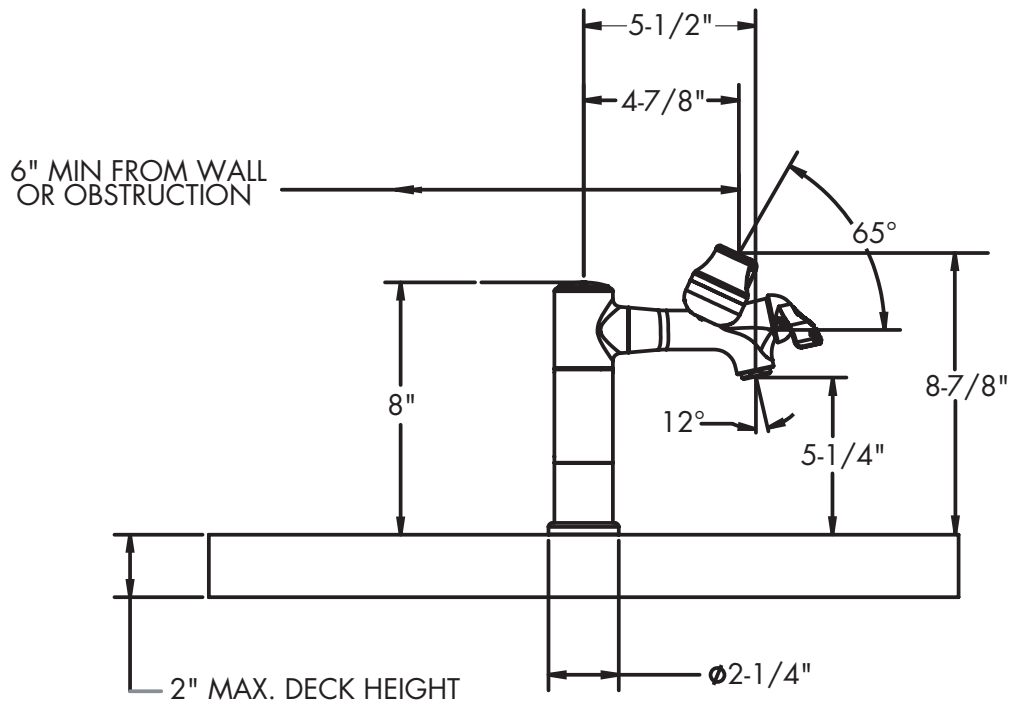
Patented design

All dimensions are in inches (millimeters) unless otherwise specified and are subject to change without notice.

Architect/Engineer Approval Space:

P: 800-537-2107
F: 800-977-2747
W: WWW.SPEAKMAN.COM
R: 02-APRIL 2023

SEF-2001 SIDE VIEW (LESS HOSES)



SEF-2001 Spray Plume Length and Flow

Flowing Pressure	30 psi 2.07 Bar	40 psi 2.76 Bar	50 psi 3.45 Bar	60 psi 4.14 Bar	70 psi 4.83 Bar	80 psi 5.52 Bar
Flow Rate	2.14 gpm 8.1 L/min	2.25 gpm 8.5 L/min	2.49 gpm 9.4 L/min	2.70 gpm 10.2 L/min	2.95 gpm 11.2 L/min	3.09 gpm 11.7 L/min
Eyewash Distance Plume "A"	12" 30.5 cm	13" 33.0 cm	15" 38.1 cm	18" 45.7 cm	21" 53.3 cm	24" 61.0 cm

SEF-2001-8 Spray Plume Length and Flow

Flowing Pressure	30 psi 2.07 Bar	40 psi 2.76 Bar	50 psi 3.45 Bar	60 psi 4.14 Bar	70 psi 4.83 Bar	80 psi 5.52 Bar
Flow Rate	2.15 gpm 8.1 L/min	2.24 gpm 8.5 L/min	2.47 gpm 9.3 L/min	2.71 gpm 10.3 L/min	2.95 gpm 11.2 L/min	3.13 gpm 11.8 L/min
Eyewash Distance Plume "A"	17" 43.2 cm	18" 45.7 cm	20" 50.8 cm	23" 58.4 cm	27" 68.6 cm	29" 73.7 cm

All dimensions are in inches (millimeters) unless otherwise specified and are subject to change without notice.

Architect/Engineer Approval Space:

P: 800-537-2107
 F: 800-977-2747
 W: WWW.SPEAKMAN.COM
 R: 02-APRIL 2023