

Classic Battery Sensor Faucet w/ Above Counter Mixer

FEATURES:

- Metal construction with polished chrome finish
- Sensor eye at base of faucet
- Powered by six (6) AA batteries included
- Low Arc spout
- Integral above counter mixer
- 9/16"-24 UNF supply connection
- Vandal-resistant 0.5 GPM (1.89 L/min) flow control

ADD-ONS:

- A-SF-GBLFE: alternate flow aerator group (1.5 GPM, 1.5 GPM laminar and 1.2 GPM)
- A-EA12: 13/16-27 1.2 GPM Aerator
- A-ELF: 13/16-27 1.2 GPM Laminar Flow Aerator
- RPG76-107259: AC Adapter for Battery Sensor Faucets
- A-HS: Sensorflo HS Flex Hoses Kit
- SF-4DECK: 4 in. deck plate
- SF-8DECK: 8 in. deck plate

STANDARDS:

- ASME A112.18.1/CSA B125.1 certified
- NSF/ANSI 61 certified
- NSF/ANSI 372 certified
- ADA compliant

WARRANTY:

Visit www.speakman.com for full product warranty information

- Limited Lifetime Warranty (residential)
- 5 Year Limited Warranty (commercial)



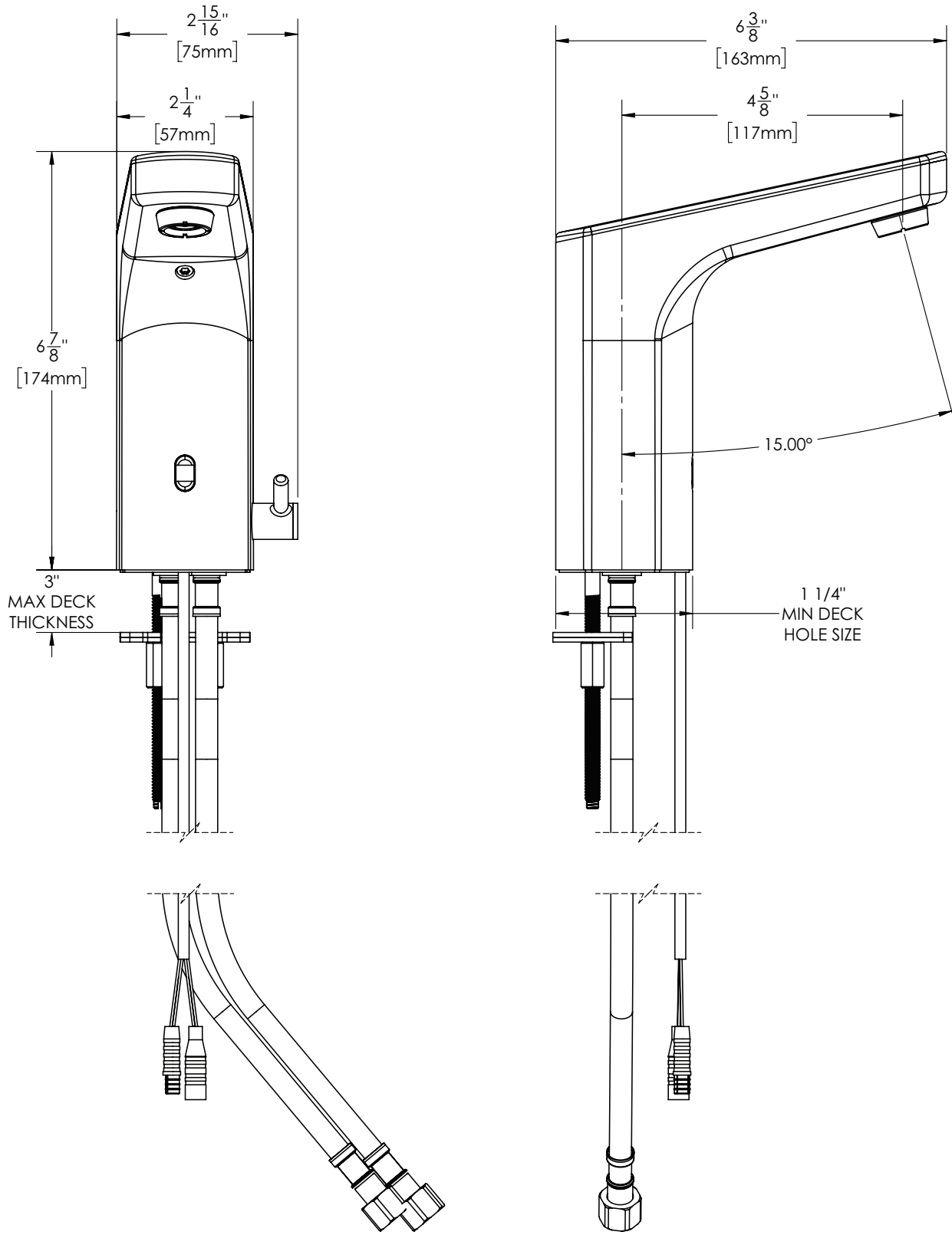
Information continues on next page

All dimensions are in inches (millimeters) unless otherwise specified and are subject to change without notice.

Architect/Engineer Approval Space:

P: 800-537-2107
F: 800-977-2747
W: WWW.SPEAKMAN.COM
R: 04-NOVEMBER 2021

Classic Battery Sensor Faucet w/ Above Counter Mixer



All dimensions are in inches (millimeters) unless otherwise specified and are subject to change without notice.

Architect/Engineer Approval Space:

P: 800-537-2107
F: 800-977-2747
W: WWW.SPEAKMAN.COM
R: 04-NOVEMBER 2021