

Chelsea™ Pressure Balance Valve and Trim

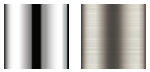
VALVE FEATURES:

- Anti-scald protection
- Pressure balancing ceramic cartridge
- Adjustable temperature limit stop
- Integral stops
- 1/2" NPT female tub outlet
- 1/2" sweat shower outlet
- 1/2" sweat inlets
- Includes rough-in template

TRIM FEATURES:

- Transitional styling
- Mounting plate with seal
- Metal handle
- Durable plastic trim plate

STOCK FINISH:



PC BN

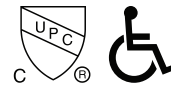
STANDARDS:

- ASME A112.18.1/CSA B125.1 certified
- Meets ASSE 1016
- ADA compliant

WARRANTY:

Visit www.speakman.com for full product warranty information

- 1 Year Limited



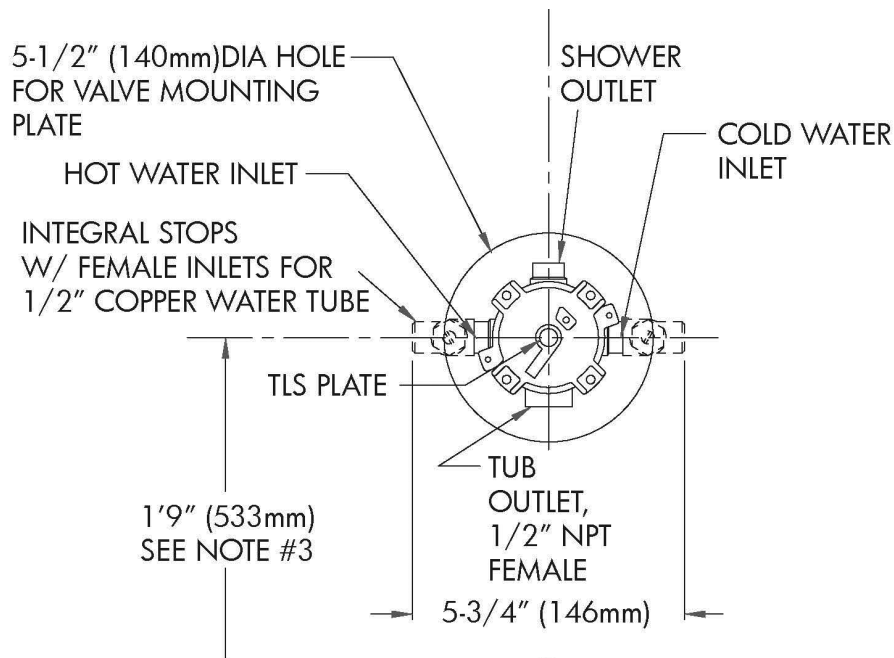
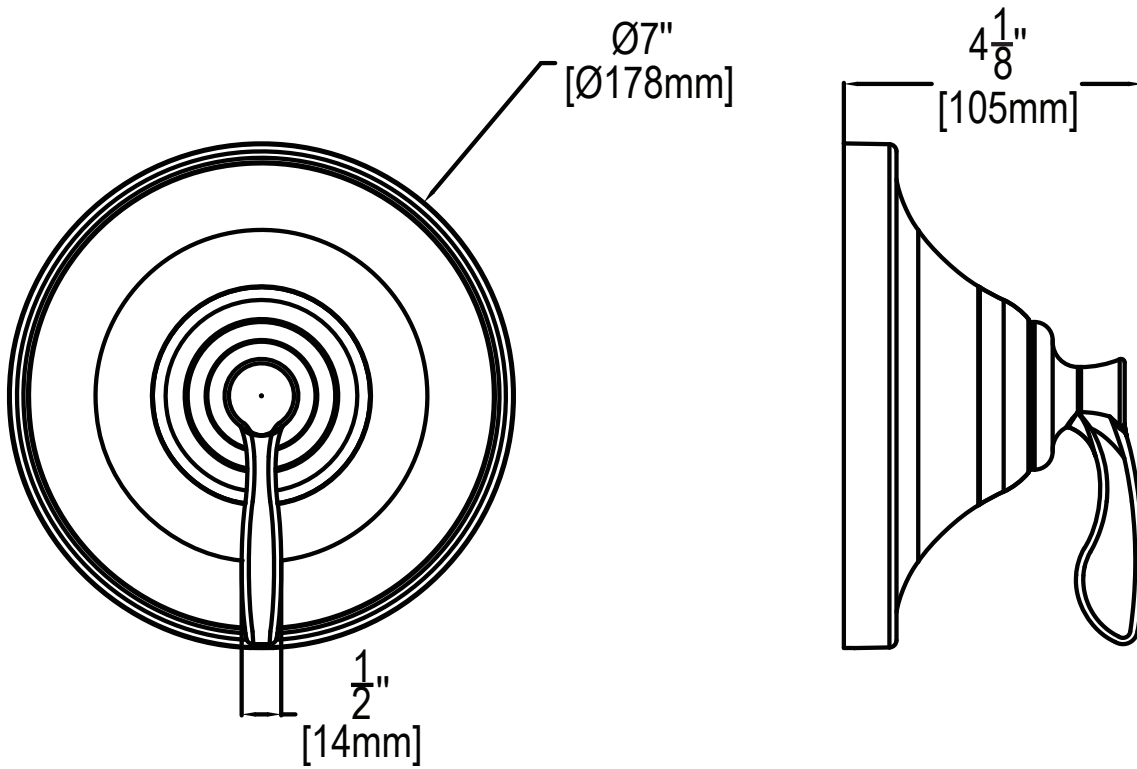
Information continues on next page

All dimensions are in inches (millimeters) unless otherwise specified and are subject to change without notice.

Architect/Engineer Approval Space:

P: 800-537-2107
F: 800-977-2747
W: WWW.SPEAKMAN.COM
R: 01-MAY 2022

Chelsea™ Pressure Balance Valve and Trim



All dimensions are in inches (millimeters) unless otherwise specified and are subject to change without notice.

Architect/Engineer Approval Space:

P: 800-537-2107
 F: 800-977-2747
 W: WWW.SPEAKMAN.COM
 R: 01-MAY 2022