

Chelsea™ Shower Combination

MODELS:

- SM-10030-P: includes S-1562 diverter tub spout
- SM-10010-P: without S-1562 diverter tub

FEATURES:

- Chelsea Shower Head S-3011
- Arm and Flange S-2500
- Chelsea Pressure Balance Valve and Trim SM-10000-P
- Diverter Tub Spout S-1562
- 2.5 gpm (9.5 L/min) flow rate (shower head)

OPTIONS:

- E2: 2.0 gpm (7.6 L/min) flow rate shower head
- E175: 1.75 gpm (6.6 L/min) flow rate shower head

STOCK FINISH:



PC BN

STANDARDS:

- ASME A112.18.1/CSA B125.1 certified
- Meets ASSE 1016
- ADA compliant

WARRANTY:

Visit www.speakman.com for full product warranty information

- 1 year limited



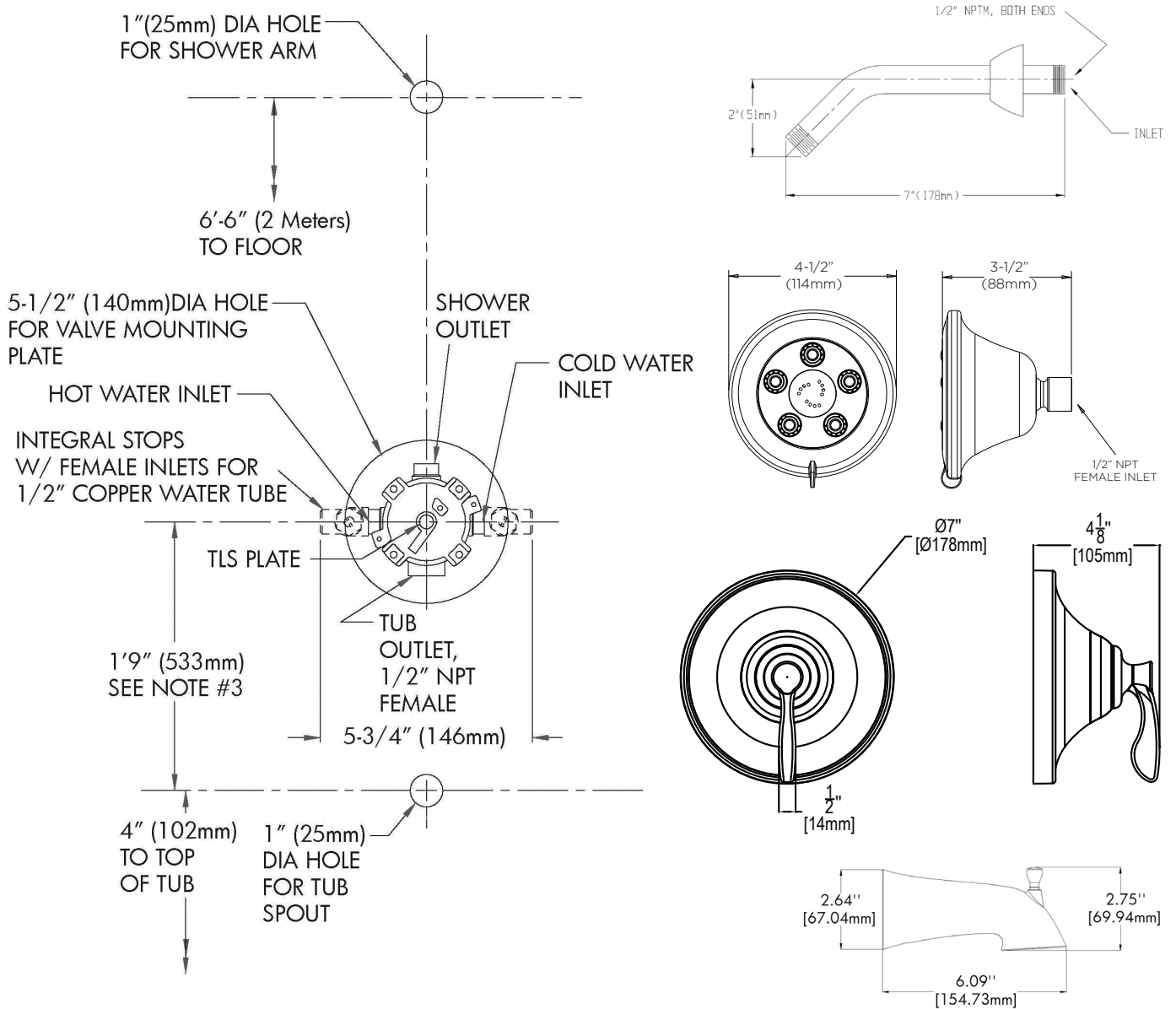
Information continues on next page

All dimensions are in inches (millimeters) unless otherwise specified and are subject to change without notice.

Architect/Engineer Approval Space:

P: 800-537-2107
F: 800-977-2747
W: WWW.SPEAKMAN.COM
R: 01-MAY 2022

Chelsea™ Shower Combination



All dimensions are in inches (millimeters) unless otherwise specified and are subject to change without notice.

Architect/Engineer Approval Space:

P: 800-537-2107
 F: 800-977-2747
 W: WWW.SPEAKMAN.COM
 R: 01-MAY 2022