

## Sentinel Mark II® Balance Pressure Valve and Trim

### FEATURES:

---

- Sentinel Mark II concealed anti-scald balanced pressure valve.
- Chrome plated brass wall plate with metal index.
- Chrome plated brass lever handle. Independent center sleeve allows up to 1 in. of rough-in variation.
- Adjustable temperature limit stop.
- Brass valve body.
- Pressure balancing & ceramic temperature regulating cartridge with built-in check valves.
- Can be installed back-to-back.
- Roughing-in template included.
- Vandal-resistant standard.
- Four port valve with ½ in. NPT Male (1/2 in. copper sweat) inlets and outlets.
- Furnished with ½ in. pipe cap.



### OPTIONS:

---

- -IS: Integral stops

### STOCK FINISH:

---



PC

### STANDARDS:

---

- ASME 112.18.1/CSA B125.1 certified
- ASSE 1016 certified
- ADA

### WARRANTY:

---

Visit [www.speakman.com](http://www.speakman.com) for full product warranty information

- 1 Year Limited Warranty (commercial)
- Limited Lifetime Warranty (residential)



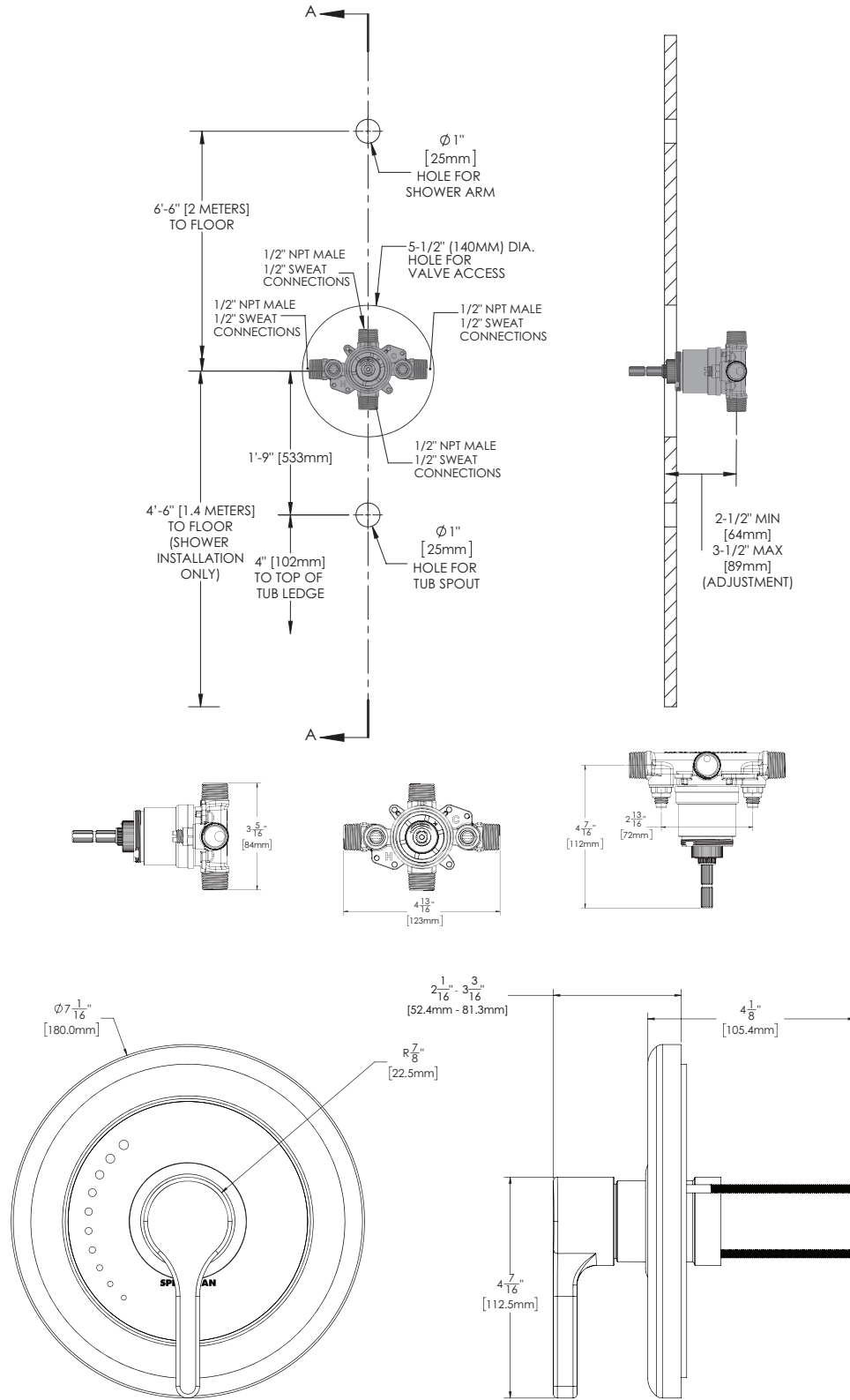
Information continues on next page

NOTE: 1. All dimensions are in inches (millimeters) unless otherwise specified and are subject to change without notice. 2. Unless otherwise specified, all inlets and outlets are 1/2" female copper sweat. 3. For ADA mounting locations, consult ADAAG, ANSI A117.1, or static regulations

Architect/Engineer Approval Space:

P: 800-537-2107  
F: 800-977-2747  
W: WWW.SPEAKMAN.COM  
R: 01-SEPTEMBER 2021

## Sentinel Mark II® Balance Pressure Valve and Trim



TRIM IS SHOWN AT A ROUGH-IN DEPTH OF 3.0in

NOTE: 1. All dimensions are in inches (millimeters) unless otherwise specified and are subject to change without notice. 2. Unless otherwise specified, all inlets and outlets are 1/2" female copper sweat. 3. For ADA mounting locations, consult ADAAG, ANSI A117.1, or static regulations

Architect/Engineer Approval Space:

P: 800-537-2107  
 F: 800-977-2747  
 W: WWW.SPEAKMAN.COM  
 R: 01-SEPTEMBER 2021