

Glanville™ 1-piece Traditional Elongated High-Efficiency Toilet

FEATURES:

- Construction: one piece construction
- Material: high quality vitreous china
- WaterSense: high efficiency, low consumption
- Flush: elongated siphon action bowl
- Glaze: smooth glazed surface
- Rough-in: 12"
- 2" Fully glazed trapway
- Height: perfect height
- Included materials: 3" adjustable flush valve, 3" adjustable flapper, slow-close toilet seat, chrome trip lever, closet bolts
- 100% Factory tested
- 800 MaP score at 1.28gpf

AVAILABLE COLORS:

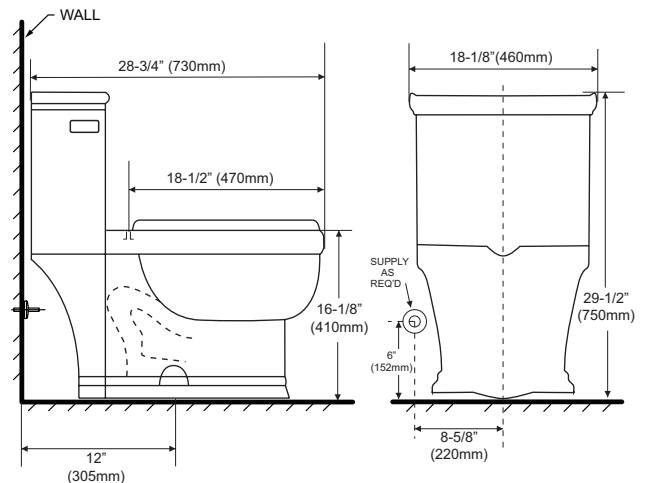
- White

NOMINAL DIMENSIONS:

- 28-3/4" x 18-18" x 29-1/2"
(730mm x 460mm x 750mm)

STANDARDS:

- ASME A112.19.2/CSA B45.1 certified
- cUPC certified
- WaterSense certified
- ADA compliant



WARRANTY:

Visit www.speakman.com for full product warranty information

Product	Warranty Period Residential Installation	Warranty Period Commercial Installation
Vitreous China Material	Limited Lifetime	10 Year Limited
Mechanical Components	Limited*	Limited*
Seat	1 Year Limited	1 Year Limited

1. All dimensions are in inches (millimeters) unless otherwise specified and are subject to change without notice. 2. This toilet is designed to rough-in at a minimum dimension of 12" (305mm) from finished wall to c/1 of outlet. 3. Supply not included with fixture and must be ordered separately. 4. * Dimension shown for location of supply is suggested. 5. Dimensions of fixtures are nominal and may vary within the range of tolerances established by ansi standard a112.19.2. 6. These measurements are subject to change or cancellation. 7. No responsibility is assumed for use of superseded or voided pages.

Architect/Engineer Approval Space:

P: 800-537-2107

F: 800-977-2747

W: WWW.SPEAKMAN.COM

R: 03-NOVEMBER 2020