

Neo™ Hand Held Shower

The multi-function Hand Held Shower shall have turbine impeller and four spray settings consisting of massage spray, satin spray, turbine spray, rain spray and a pause setting.

The Hand Held Shower shall perform within 10% of stated GPM. The Hand Held Shower shall be certified with ASME A112.18.1/CSA B125.1 WaterSense and be listed with the California Energy Commission.

MODELS:

- VS-5000-E2: 2.0 GPM (7.6 L/min) flow rate
- VS-5000-E175: 1.75 GPM (6.6 L/min) flow rate
- VS-5000-E15: 1.5 GPM (5.7 L/min) flow rate

FEATURES:

- 344 spray outlets, 4 spray patterns and pause mode
- Exhilaration Spray Technology® includes patented Speakman Reaction high performance turbine engine
- 5 setting spray face includes Inner Massage, Satin Spray, Speakman Reaction, Rain, and Pause
- Spray adjusting faceplate, with optimum spray setting when in vertical position
- Plastic body construction
- 1/2" -14 NPS male inlet
- Includes coordinating shower bracket with 1/2" -14 NPT brass ball nut, female inlet, 1/2" - 14 NPS male outlet with check valve
- Includes 5' metal hose with (1) 1/2" -14 NPS female inlet and (1) 1/2"-14 NPS female outlet
- Corrosion resistant finishes
- Coordinates with Neo Collection



STOCK FINISH:



PC BN MB

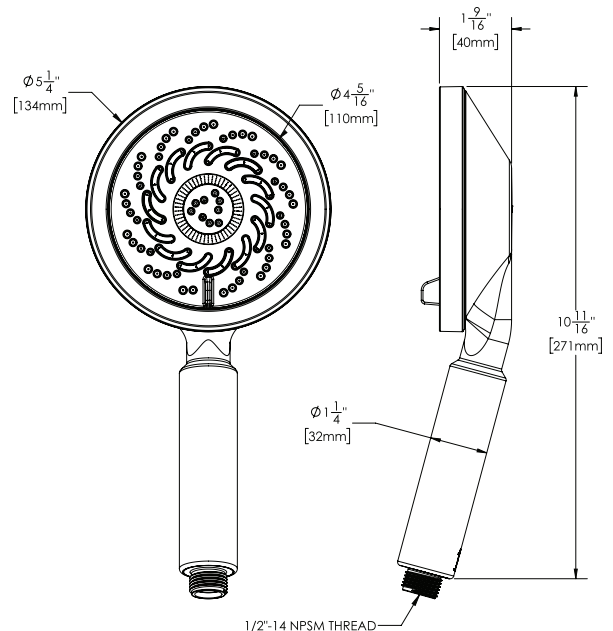
STANDARDS:

- ASME A112.18.1/CSA B125.1 certified
- WaterSense certified
- CEC (CA Energy Commission) certified, 1.75, 1.5 GPM only
- ADA compliant

WARRANTY:

Visit www.speakman.com for full product warranty information

- Limited Lifetime Warranty (residential)
- 1 Year Limited Warranty (commercial)



All dimensions are in inches (millimeters) unless otherwise specified and are subject to change without notice.

Architect/Engineer Approval Space:

P: 800-537-2107
 F: 800-977-2747
 W: WWW.SPEAKMAN.COM
 R: 03-MAY 2022